

# 2 SERIES HAL

## ADJUSTABLE

Our smallest aperture family of pin-hole fixtures offers high-output illumination for high-drama design statements in discerning residential, retail, and hospitality environments.

PROJECT NAME:	TYPE:
---------------	-------

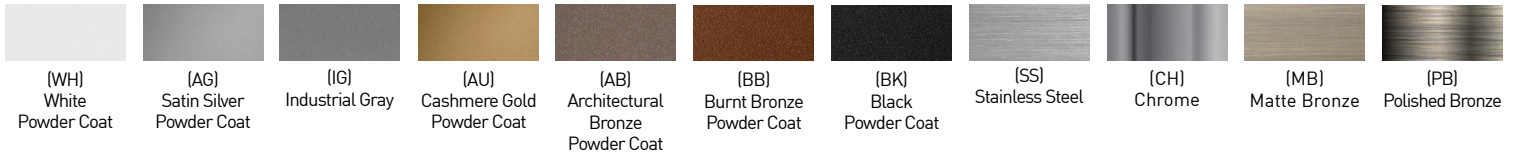


### ORDERING INFORMATION



JA8-2019 INDICATED BY SHADING

FITTING	RATING	FLANGE FINISH	INSTALL TYPE	CEILING THICKNESS	POWER SUPPLY	EFFECTS DEVICE	FLANGE CONFIGURATION	WATTAGE RESTRICTION
2RA Round Expanded	1 Dry / Damp	WH White	NC NIC*	1 0.50"-0.75"	Domestic (120V)	Standard Effects Device	F Flange Overlay (No Applique)	Optional Label WRL** Wattage Restriction Label
2PA Round Pinhole	2 Wet* *(Lens sealed in place)	AG Satin Silver	IC IC*	2 0.76"-1.25"	EZZ ELV/0-10V*	04 Soft Focus Lens	G Zero Sightline - Gypsum (1/16" Applique)*	
2SA Square Expanded		IG Industrial Gray	AT IC, Airtight*	3 1.26"-2.00"	*[37W max Halogen, 15W max LED, ships with MR16 socket, TL24 JA8-2019 compliant when used with 7.5W or 9W Vivid Series Soraa lamp]	Optional Effects Device	*[Not available for wet location]	(** Maximum Wattage) Ex For 9 Watt maximum label, specify "WRL09"
		AU Cashmere Gold	* [CECA, Airtight and Title 24 compliant housing]	4 2.01"-3.00"	QT2 Q-Tran / Toroid *	00 No Lens *	P Zero Sightline - Plaster (1/8" Applique)*	
		AB Arch Bronze			*[37W max Halogen, 15W max LED, ships with MR16 socket, TL24 JA8-2019 compliant when used with 7.5W or 9W Vivid Series Soraa lamp]	01 Linear Spread Lens	*[Not available for wet location]	Leave blank unless specifying optional configuration
		BB Burnt Bronze			RMT Remote *	02 Honeycomb Louver *		
		BK Black			*[37W max Halogen, 15W max LED, ships with MR16 socket, TL24 JA8-2019 compliant when used with 7.5W or 9W Vivid Series Soraa lamp]	03 Clear Glass Lens		
		SS Stainless Steel*			MVH Mains Voltage Halogen *	05 Frosted Glass Lens		
		CH Chrome*			*[Ships with GU10 socket, power supply not provided]	09 Ultra Violet Lens		
		MB Matte Bronze*				26 Frosted Linear Spread Lens *		
		PB Polished Bronze*						
		PR Primer						
		CF Custom*						



### PART NUMBER NOTES

- Trims ships as e.g. 2RA1-WH-HB-1-EZ204
- Housing ships as e.g. NCL-2RF-1-HAL-01
- Transformer ships with trim
- Applique ships with housing

# 2 SERIES HAL ADJUSTABLE

## ACCESSORIES

### ALTERNATE EFFECTS DEVICES

- LSL-2** Linear Spread Lens
- HCL-2** Honeycomb Louver\*  
\*(Not available for wet location)
- CGL-2** Clear Glass Lens
- SFL-2** Soft Focus Lens
- FGL-2** Frosted Glass Lens
- UVL-2** Ultra Violet Lens
- FLSL-2** Frosted Linear Spread Lens\*  
\*(Not available for wet location)

### ROUTER TOOL GUIDE (Dry / Damp locations only)

- Recommended for Zero-Sightline installations in wood ceilings.
- DLA-RTG-2S-RD** Tool, router guide, round; reusable
  - DLA-RTG-2S-SQ** Tool, router guide, square; reusable

### EMERGENCY LIGHTING - REMOTE MOUNT ONLY

During disruption of main power, emergency battery inverter provides temporary 120V or 277V to fixture.

- EMB-S-20/25-120/277-LEDX** 20/25 watt max capacity, 120 or 277 VAC 60Hz, Non-Dimmable
- EMB-S-100-120-LEDX** 100 watt max capacity, 120 VAC 60Hz, Dimmable
- EMB-S-100-277-LEDX** 100 watt max capacity, 277 VAC 60Hz, Dimmable
- EMB-S-250-120/277-LEDX** 250 watt max capacity, 120 or 277 VAC 60Hz, Dimmable

### ADJUSTMENT TOOL

- One included with every four fixtures.
- TOOL-HEX-050**

## SORAA VIVID SERIES MR-16 LED LAMPS

- S-SM16-07-10D-927-03** 7.5W, 95CRI, 2700K, 10° Spot
- S-SM16-07-25D-927-03** 7.5W, 95CRI, 2700K, 25° Medium Flood
- S-SM16-07-36D-927-03** 7.5W, 95CRI, 2700K, 36° Flood
- S-SM16-07-10D-930-03** 7.5W, 95CRI, 3000K, 10° Spot
- S-SM16-07-25D-930-03** 7.5W, 95CRI, 3000K, 25° Medium Flood
- S-SM16-07-36D-930-03** 7.5W, 95CRI, 3000K, 36° Flood
- S-SM16-09-25D-927-03** 9W, 95CRI, 2700K, 25° Medium Flood
- S-SM16-09-36D-927-03** 9W, 95CRI, 2700K, 36° Flood
- S-SM16-09-25D-930-03** 9W, 95CRI, 3000K, 25° Medium Flood
- S-SM16-09-36D-930-03** 9W, 95CRI, 3000K, 36° Flood

**NOTE:** 9W Soraa MR-16 LEDs not for use with lens or Wet location fixtures



## SORAA BRILLIANCE SERIES MR-16 LED LAMPS

- S-SM16-07-10D-827-03** 7.5W, 80CRI, 2700K, 10° Spot
- S-SM16-07-25D-827-03** 7.5W, 80CRI, 2700K, 25° Medium Flood
- S-SM16-07-36D-827-03** 7.5W, 80CRI, 2700K, 36° Flood
- S-SM16-07-10D-830-03** 7.5W, 80CRI, 3000K, 10° Spot
- S-SM16-07-25D-830-03** 7.5W, 80CRI, 3000K, 25° Medium Flood
- S-SM16-07-36D-830-03** 7.5W, 80CRI, 3000K, 36° Flood
- S-SM16-09-25D-827-03** 9W, 80CRI, 2700K, 25° Medium Flood
- S-SM16-09-36D-827-03** 9W, 80CRI, 2700K, 36° Flood
- S-SM16-09-25D-830-03** 9W, 80CRI, 3000K, 25° Medium Flood
- S-SM16-09-36D-830-03** 9W, 80CRI, 3000K, 36° Flood

**NOTE:** 9W Soraa MR-16 LEDs not for use with lens or Wet location fixtures

## MR-16 HALOGEN LAMPS

- 12-20-HL-SP** 20W Halogen 12° Spot
- 12-20-HL-MF** 20W Halogen 15° Medium Flood
- 12-20-HL-FL** 20W Halogen 25° Flood
- 12-20-HRIR-SP** 20W IR Halogen 10° Spot
- 12-20-HRIR-MF** 20W IR Halogen 25° Medium Flood
- 12-20-HRIR-FL** 20W IR Halogen 35° Flood
- 12-20-HRIR-WF** 20W IR Halogen 60° Wide Flood
- 12-37-HRIR-SP** 37W IR Halogen 10° Spot
- 12-37-HRIR-MF** 37W IR Halogen 25° Medium Flood
- 12-37-HRIR-FL** 37W IR Halogen 35° Flood
- 12-37-HRIR-WF** 37W IR Halogen 60° Wide Flood

# 2 SERIES HAL ADJUSTABLE

## DOWNLIGHT

Hot-aim adjustment from below up to 45° tilt and 357° rotation, faceplate conceals adjustment mechanisms.

- A ADJUSTABLE YOKE**  
Adjustable yoke allows for quick exchange of lamp and effects devices. Accommodates up to 2 effects devices.
- B TILT GUIDE**  
Features adjustment angles and allows for pre-aiming prior to insertion of trim.
- C EFFECTS DEVICES**  
Soft Focus Lens standard; effects device must be specified. Lens is sealed in aperture in Wet location trim. Secondary effects device available.
- D TRIM PLATE**  
Features removable faceplate providing access to adjustment mechanisms. Rare Earth magnets secure faceplate firmly to trim mechanism and do not degrade over time.
  - Dry / Damp Location: Thickness measures 0.065"
  - Wet Location: Sealed aperture and integral silicone gasket. 0.15" return, installed as flange overlay only.
- E DOWNLIGHT TRIM ADAPTER**  
Included with fixture and required for installation. Uses (2) #6-32 flat-head screws with varying lengths to accommodate ceiling depth. Installed after ceiling is complete. Requires 3.75" cutout for flange overlay applications.
- E1 RETENTION**  
Engineered integral ball plungers correspond to trim adaptor ensuring snug fit against finished ceiling.

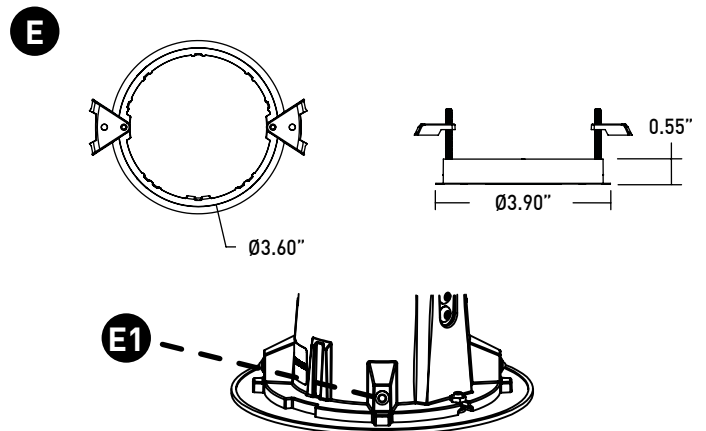
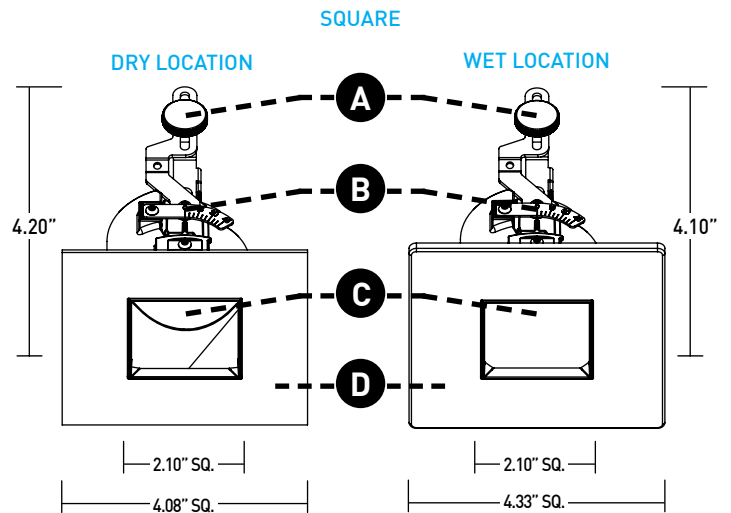
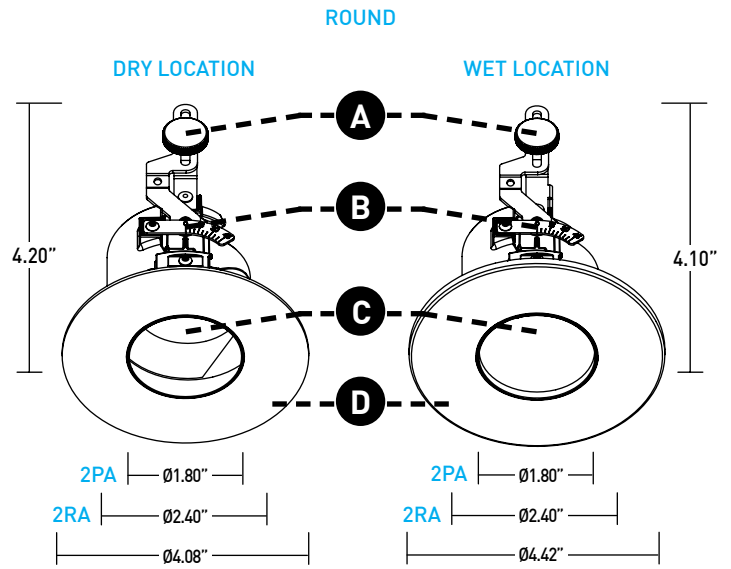
## TILT CHART

Charts reference abbreviated ceiling thickness and use of 1 effects device.

CEILING THICKNESS	≤0.75"	≤1.00"	≤1.25"	≤1.50"	≤1.75"	≤2.00"
Available Tilt	"-1" collar 45°	"-2" collar 44°	"-2" collar 41°	"-3" collar 35°	"-3" collar 35°	"-3" collar 33°

CEILING THICKNESS	≤2.25"	≤2.75"	≤3.00"
Available Tilt	"-4" collar 15°	"-4" collar 15°	"-4" collar 13°

## DIMENSIONS / DRAWINGS



# 2 SERIES HAL ADJUSTABLE

## HOUSING

- F NO INSULATION CONTACT (NON-IC) HOUSING**
  - Included with NC install types.
  - Minimum 0.50" setback from combustible and non-combustible materials on all sides and top of housing.
  - Minimum 3.00" setback from insulation material having max R-Value 30 on all sides and top of housing.
  - Minimum 6.00" setback from polycell spray foam insulation having max R-Value 60.
- G INSULATION CONTACT (IC) HOUSING**
  - Included with AT and IC install types
  - No setback from polycell spray foam insulation having max R-Value of 60 on all sides and top of IC housing.

## HOUSING / MOUNTING NOTES

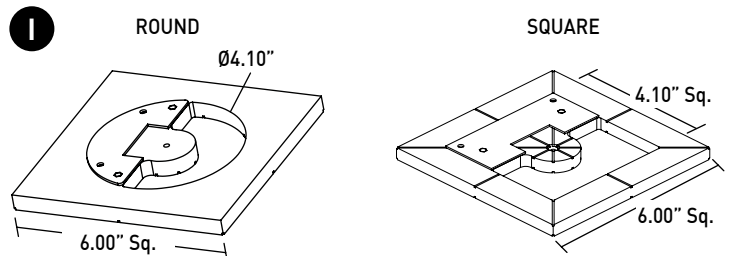
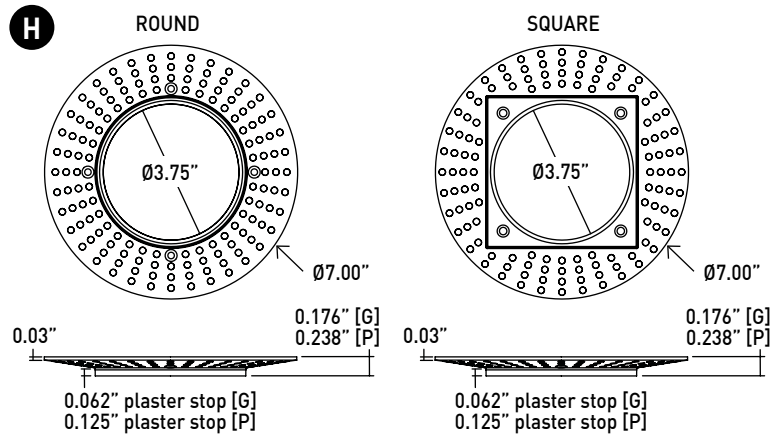
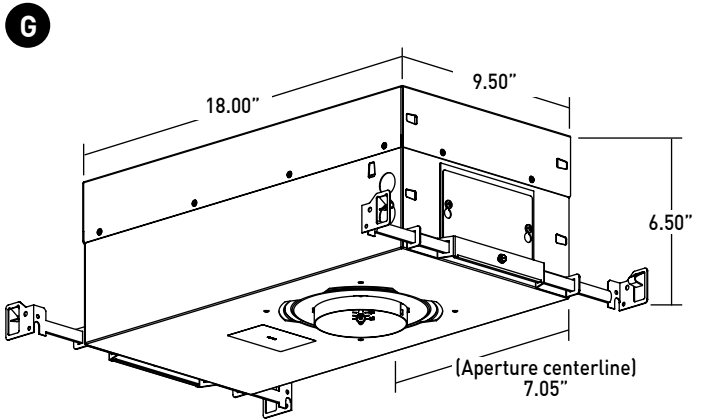
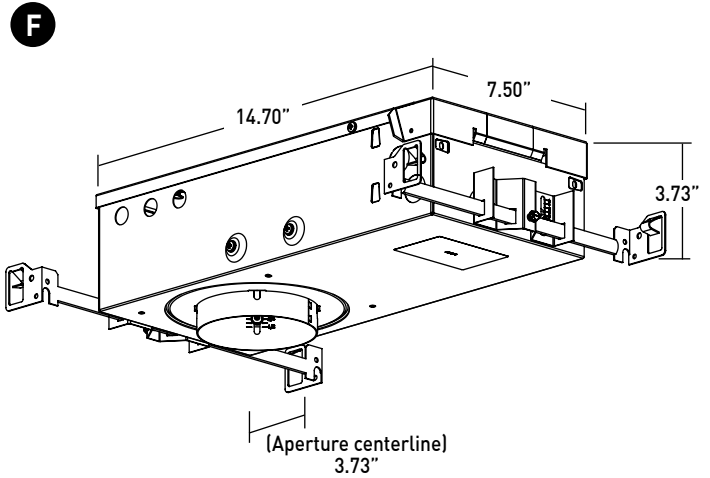
- AT install type is required for CCEA, Airtight and Title 24 (JA8) applications.
- Do not install in environments where ambient temperatures exceed 40°C (104°F).
- Power supply compartment and all splice connections may be serviced from room side.
- Consult factory for spacing requirements for any installations exceeding R-Value 60.
- Hanger bars fitted to short side of housing, and long side of Low Flux housings; extend from 14.0" to 24.0", but may be field cut to accommodate narrow stud spacing.
- Hanger bars and brackets add 4.00" to the overall dimension, but are exclusive of the setback requirements.
- Driver assembly ships with trim, not housing. Housing and trim feature mating quick-connect plugs for ease of installation.

## ZERO-SIGHTLINE INSTALLATIONS

Zero-Sightline installations available for Dry / Damp location fixtures only. When installed according to manufacturer's instructions and ceiling conditions are met, fixture is flush with the ceiling plane. Consult 2-Series Installation Guidelines for appropriate ceiling cutouts and instructions for proper Zero-Sightline installations.

- H APPLIQUÉ**
  - Specified on Flange Configuration and ships with housing; ships separately on remodel installations.
  - For use in sheetrock ceiling applications.
  - 1/16" Appliqué (G Flange Configuration) recommended for gypsum ceiling installations and has plaster stop thickness of 1/16".
  - Recommended for painted ceiling applications.
  - 1/8" Appliqué (P Flange Configuration) offers double thick plaster stop of 1/8" where a heavier application of mud is preferred. Recommended for colorfast and venetian plaster applications.
  - Not recommended for stucco applications.
- I ROUTER TOOL GUIDE**
  - Specified separately and used with Flange Overlay configurations.
  - For use in wood ceiling applications.
  - DLA-RTG-2S-RD** or **DLA-RTG-2S-SQ** required for wood Zero-Sightline ceiling installations.
  - Router tool guide is reusable and suitable for multiple fixtures.

## DIMENSIONS / DRAWINGS



# 2 SERIES HAL ADJUSTABLE

## TECHNICAL

### CONSTRUCTION

Downlight: Steel and aluminum; Painted finishes are granulated powder coat.

Trim Adaptor: High impact composite and stainless steel.

Housing: Steel and aluminum.

Appliqué: Zinc alloy.

### LAMP

MR-16 halogen and LED; 12-volt GU5.3 base and line / mains GU10 base. To ensure optimal results, it is recommended to specify lamps supplied by Lucifer Lighting. Note: MR-16 LED lamps, other than those listed, must be independently confirmed as compatible by the corresponding lamp manufacturer. Consult factory for assistance.

### DIMMING PROTOCOL

Best achieved using a corresponding reverse phase control for power supplies designated EZ2" outfitted with electronic transformers and a forward phase control for power supplies designated "QT2" outfitted with toroid magnetic transformers. Compatibility and performance may vary between controls and applied loads.

WARNING: PHASE ADAPTIVE DIMMING MUST BE LOCKED AS FORWARD PHASE TO AVOID CATASTROPHIC FAILURE OF TOROID TRANSFORMERS.

### LISTING

cTUVus listed to UL1598 Dry / Damp and Wet locations. CCEA, Airtight and Title 24 JA8-2019 Listed.

### TITLE 24 JA8-2019 COMPLIANCE

Fixtures outfitted with any Vivid Series Soraa lamp (7.5W or 9W) are approved for TL24 JA8-2019.

### WEIGHT

Trim - 1.8 lbs max

NON-IC Housing - 4.2 lbs

IC Housing - 7.4 lbs

### LIMITED WARRANTY

Manufacturer's 1-year warranty, from the date of shipment by Seller, on all Lucifer Lighting provided system components. Consult website for full warranty terms and conditions. Lamps not covered under warranty.