

TRACK

SURFACE AND PENDANT MOUNTED TRACK

INSTALLATION

Before beginning any track installation, disconnect electrical power at main switch or circuit breaker.

A. CAUTION

To reduce the risk of fire, electric shock, and potential damage to assembly when electrical power is re-connected, DO NOT ATTEMPT TO CONNECT the following on branch circuit serving track assembly:

- Motors
- Power tools
- Extension cords
- Appliances or similar electronics

Fixtures to be mounted in conditions where ambient temperatures do not exceed 40°C.

Ensure AC input voltage is protected against surges & load shifts prior to power supply input.

B. SAFETY INSTRUCTIONS

1. Read installation instructions completely before attempting installation.
2. Failure to follow instructions may result in improper installation and void warranty.
3. Contact Lucifer Lighting Company with any questions or concerns before beginning any installation.
4. Ensure qualified electrician will perform all electrical procedures.
5. Disconnect electrical power circuit before attempting to install track, or if adding to or changing track configuration.
6. CAUTION: When fixture is on for long periods track head surfaces will be hot. Take care when making adjustments.

SAFETY WARNING

This product must be installed in accordance with applicable electrical and installation codes by a person familiar with the construction and operation of the product and the hazards involved.

“CAUTION- RISK OF FIRE”

C. DESCRIPTION

Surface and Pendant mounted track assemblies available with various connectors for continuous track assemblies. Track assemblies are compatible with all Lucifer Lighting track heads, specified separately.

D. MOUNTING

Surface Track may be mounted to any suitable ceiling and wall surface. Pendant Track may be mounted to horizontal and sloped ceilings. Track and track connectors specified separately according to field application conditions. Junction box connectors provide a minimalist transition from customer supplied 4” octagon box and accomodates ceiling thicknesses of .44” (12mm) to .75” (20mm). Pendant track requires customer supplied 4” junction box and accommodates ceiling thicknesses of .625” (16mm) to .75” (20mm).

E. VOLTAGE AND POWERFEEDS

Track is available for use with 120V 60hz and 240V 50hz systems. At least one live feed connector must be selected to provide power to track assembly. Current limiters available, where required by energy code or specification criteria.

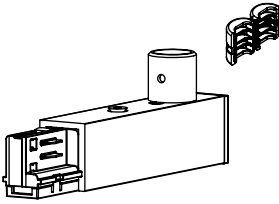
F. SURFACE TRACK CONNECTORS AND COMPONENTS

Power provided to track assembly via live feed or junction box connectors. Track assembly should be laid out to verify conductors and busbar are properly aligned prior to installation (see section H and I).

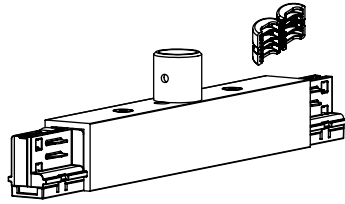
Note: Connectors are secured to track sections, do not drill through connectors.

1. SURFACE LIVE FEED CONNECTORS

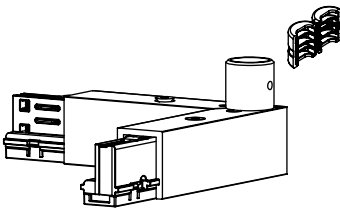
Variety of live feed connectors available and specified separately. T Connector and X Connector are pre-wired with 14 gauge internal wiring.



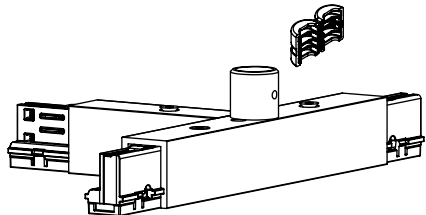
End Connector



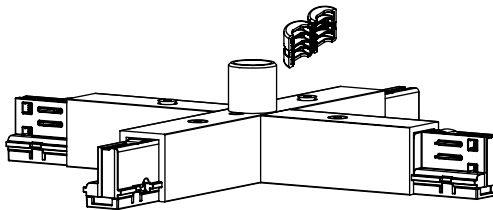
Inline Connector



Corner Connector

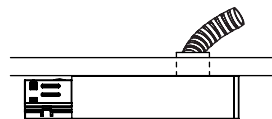
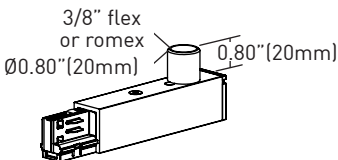


T Connector



X Connector

Connector barrel requires 0.80" diameter cutout and accepts 3/8" flex or romex. Recommend 12 or 14 gauge wires.

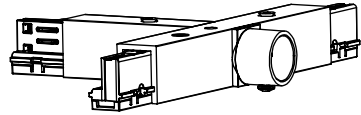


2. SURFACE LIVE FEED CEILING CONDUIT CONNECTORS

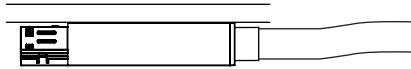
Ceiling conduit end connector available for either 1/2" EMT or 3/4" EMT. Connectors available in left orientation and specified separately. Connector ships with 1/2" EMT fitting installed and 3/4" EMT fitting included in packaging.



End Connector

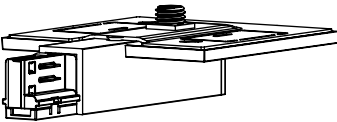


T Connector

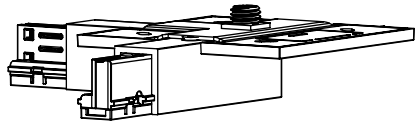


3. SURFACE JUNCTION BOX CONNECTORS

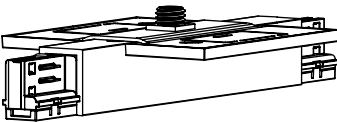
Variety of junction box connectors available and specified separately. T Connector pre-wired with 14 gauge internal wiring.



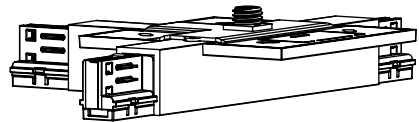
End Connector



Corner Connector

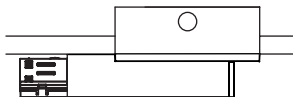


Inline Connector



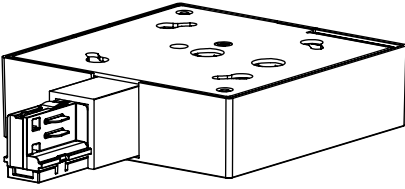
T Connector

Mounts to bottom of customer furnished 4" octagon box.

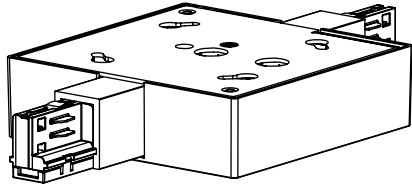


4. SURFACE CURRENT LIMITERS

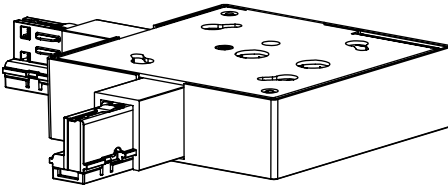
Variety of current limiters available and specified separately. All current limiters are pre-wired with 14 gauge internal wiring.



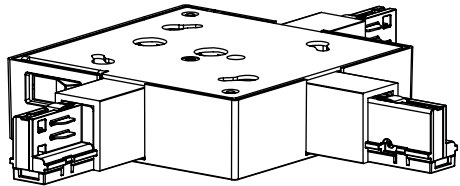
End
Current Limiter



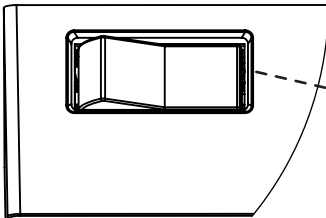
Inline
Current Limiter



Corner
Current Limiter

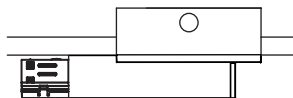


T Current Limiter



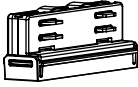
Circuit Breaker

Mounts to bottom of customer furnished 4" octagon box.

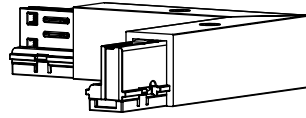


5. SURFACE NO FEED CONNECTORS

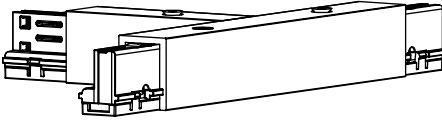
No feed connectors join two or three sections of track. All connectors are pre-wired with 14 gauge internal wiring.



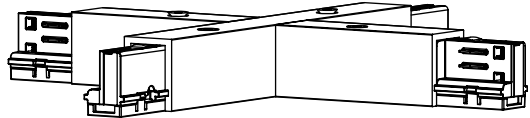
Track Jumper



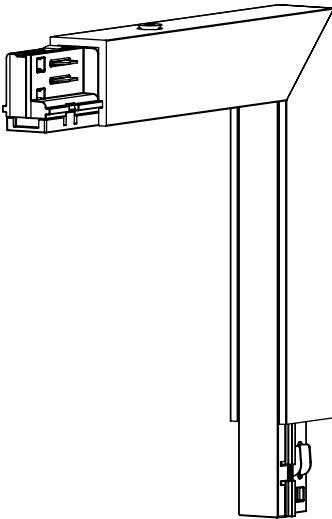
Corner Connector



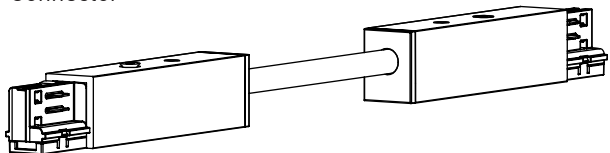
T Connector



X Connector



Vertical Connector



Flexible Connector

G. PENDANT TRACK CONNECTORS AND COMPONENTS

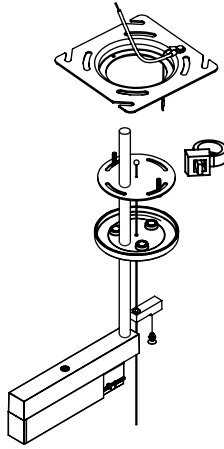
Power provided to track assembly via live feed or junction box connectors. Track assembly should be laid out to verify conductors and busbar are properly aligned prior to installation (see section H and I).

Note: Connectors are secured to track sections, do not drill through connectors.

Note: Pendant track only available for North America installations.

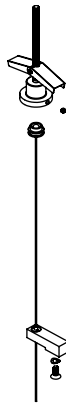
1. PENDANT POWER KIT

Mounts to bottom of “customer-supplied” 4” junction box and provides power to the track system with the integral live feed connector. Requires 2.750” (70mm) cutout.



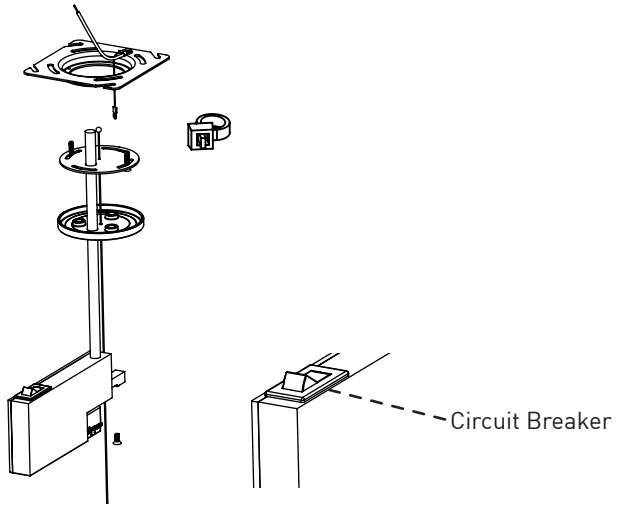
2. PENDANT MECHANICAL SUSPENSION KIT

Installed in ceiling to provide mounting for track sections. Requires 5/8” (16mm) cutout.



3. PENDANT CURRENT LIMITER

Mounts to bottom of "customer-supplied" 4" junction box and provides power to the track system with the integral live feed connector. Requires 2.750" (70mm) cutout. Current limiter is pre-wired.

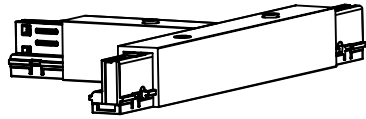


4. PENDANT NO FEED CONNECTORS

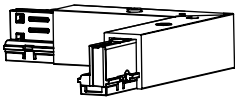
No feed corner connector for joining two sections of suspended track. T Connector and Corner Connector contain 14 gauge internal wiring.



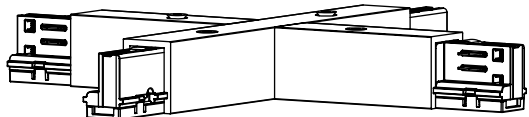
Track Jumper



T Connector



Corner Connector

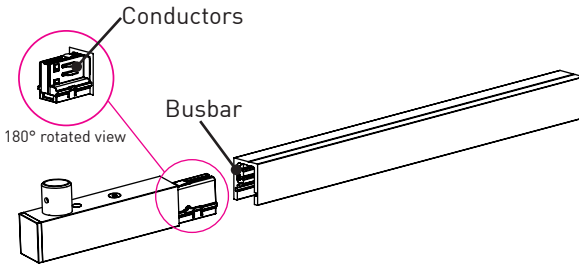


X Connector

H. SURFACE TRACK INSTALLATION

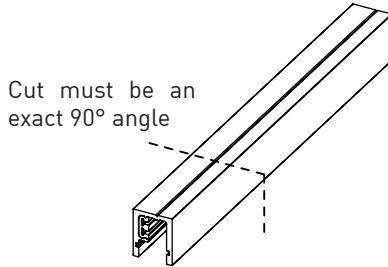
1. SURFACE TRACK - LAYOUT

Track sections available in 4' and 8' field cuttable lengths. Connectors are left orientated. Track assembly should be laid out to verify conductors and busbar are properly aligned prior to installation.

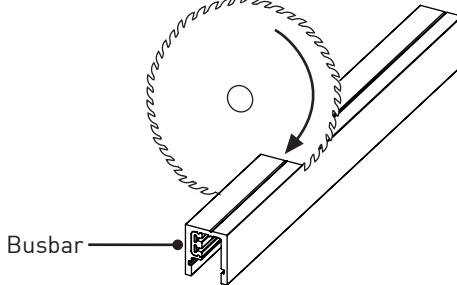


2. SURFACE TRACK - FIELD CUTTING

Using a chop saw with fine tooth blade, cut track to desired length.

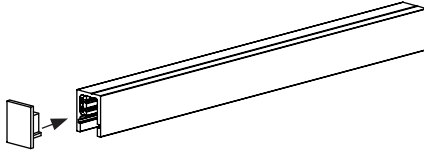


Ensure rotation of saw blade is directed towards busbar.



3. SURFACE TRACK - END CAP

Install end caps as needed with supplied screws.



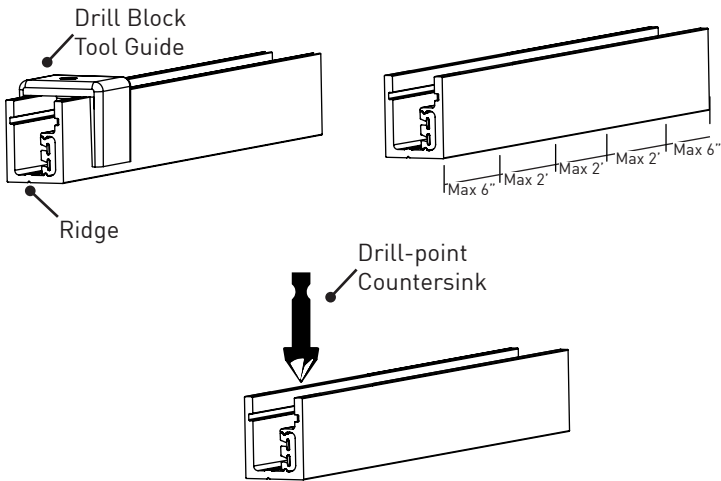
4. SURFACE TRACK - DRILL MOUNTING HOLES

Track sections require 2 mounting holes spaced a maximum of 6" (152mm) from the ends of the track section with additional mounting holes spaced every 2 feet along the length of the track section. Use the drill block tool guide to drill 3/16" (5mm) holes through bottom of track channel centered directly on ridge, removing any burrs produced from drilling.

Using a 4" long (or longer) #4 (5/16" (8mm)) drill-point countersink (recommend McMaster-Carr# 2756A25), countersink holes from bottom of track channel.

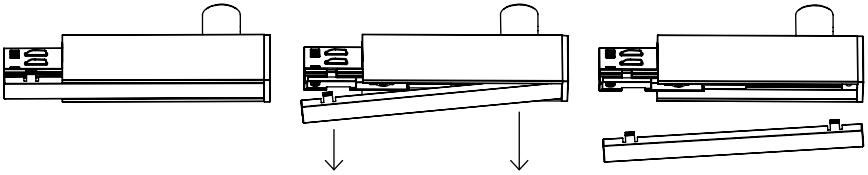
Note: Take care to not damage busbar during drilling. If damaged, discard track section.

Note: If screw heads are not countersunk, track heads will not properly adjust the length of the track.



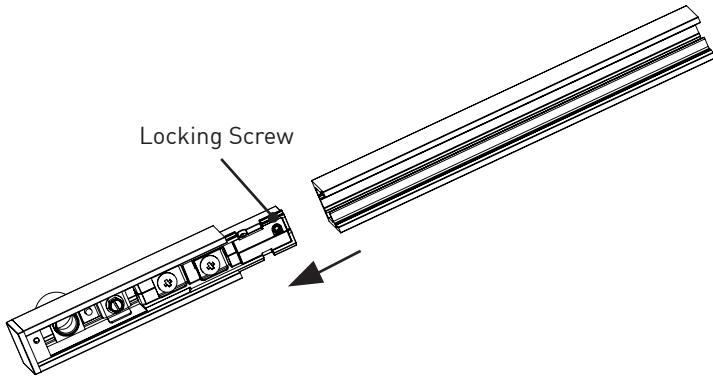
5. SURFACE TRACK - REMOVE COVER

Gently pull down to release power feed connector(s) cover.



6. SURFACE TRACK - CONNECT TRACK

Insert applicable power feed connector(s) and coupler(s) into track and tighten locking screw. Power feed connectors include 1/16" (1.5mm) and couplers include 5/64" (2mm) hex key.



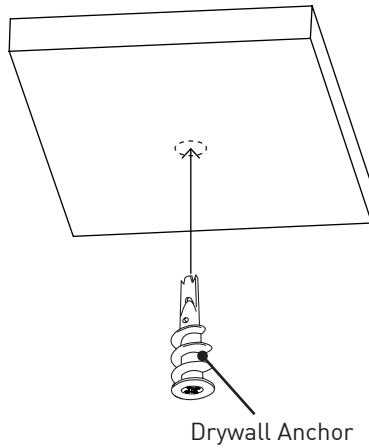
7. SURFACE TRACK - MOUNT TO CEILING

Note: Factory recommends using two installers for track applications of 8' or greater lengths.

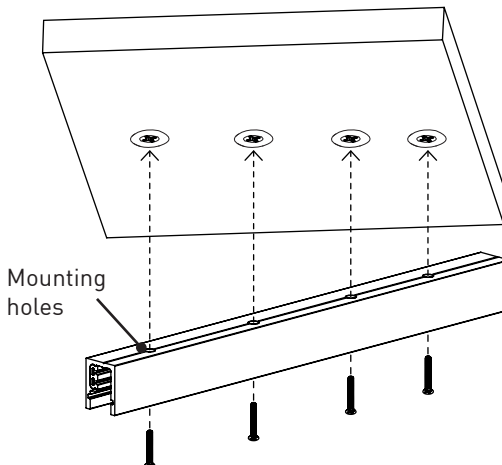
Wallwash: Factory recommends track utilized with wallwash trackheads be mounted at 36" setback from wall plane, and trackheads be spaced at 36" on center.

Option 1: Drywall Anchors (supplied by others)

Designate drywall anchor locations on ceiling substrate. Install drywall anchors per the manufacturers instructions ensuring they are flush with ceiling substrate.

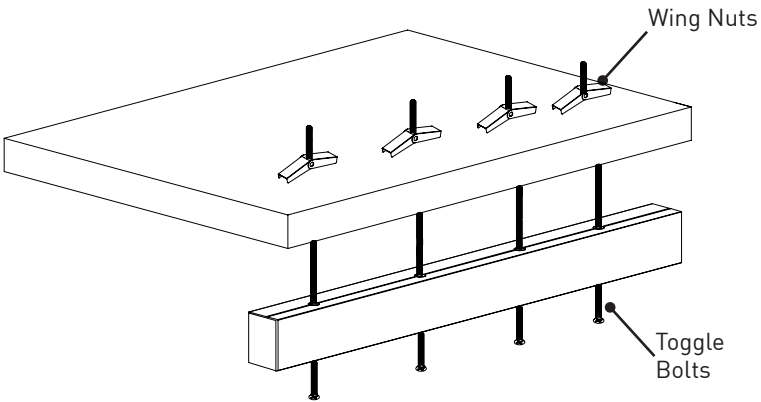


Align mounting holes with drywall anchors. Using screwdriver, secure track section to ceiling by incrementally hand tightening alternate screws to draw track uniformly to ceiling ensuring screw heads are fully countersunk.



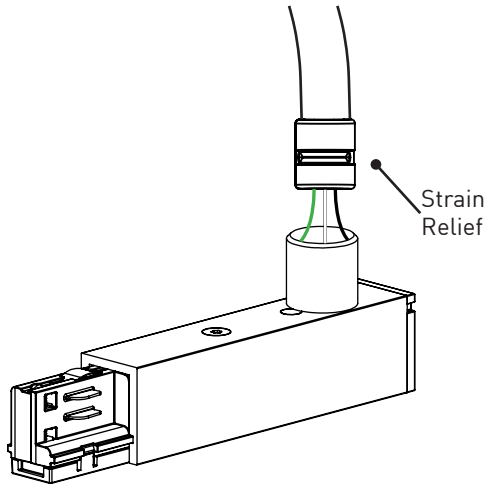
Option 2: #8 Toggle Bolts (supplied by others)

Designate toggle bolt hole locations on ceiling substrate and drill 5/8" holes. Insert #8 toggle bolts through mounting holes located on track section. Screw bolts into wing nuts a few turns to ensure they do not come loose during installation. Push toggle bolts into holes drilled in ceiling and tighten by incrementally hand tightening alternate bolts to draw track uniformly to ceiling ensuring bolt heads are fully countersunk.

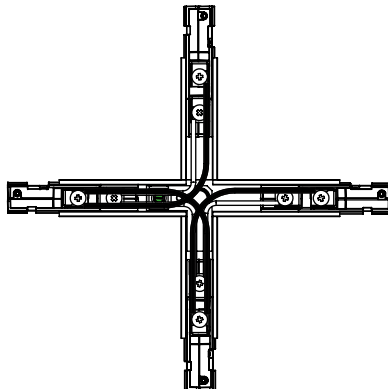
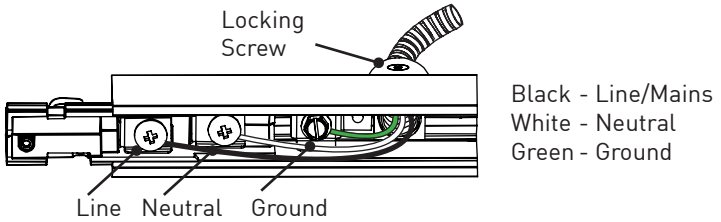


8. SURFACE TRACK - MAKE WIRING CONNECTIONS

If using MC Cable on surface live feed connectors, feed directly into connector. If using romex on surface live feed connectors, attach strain relief to end of romex and feed wiring into connector.

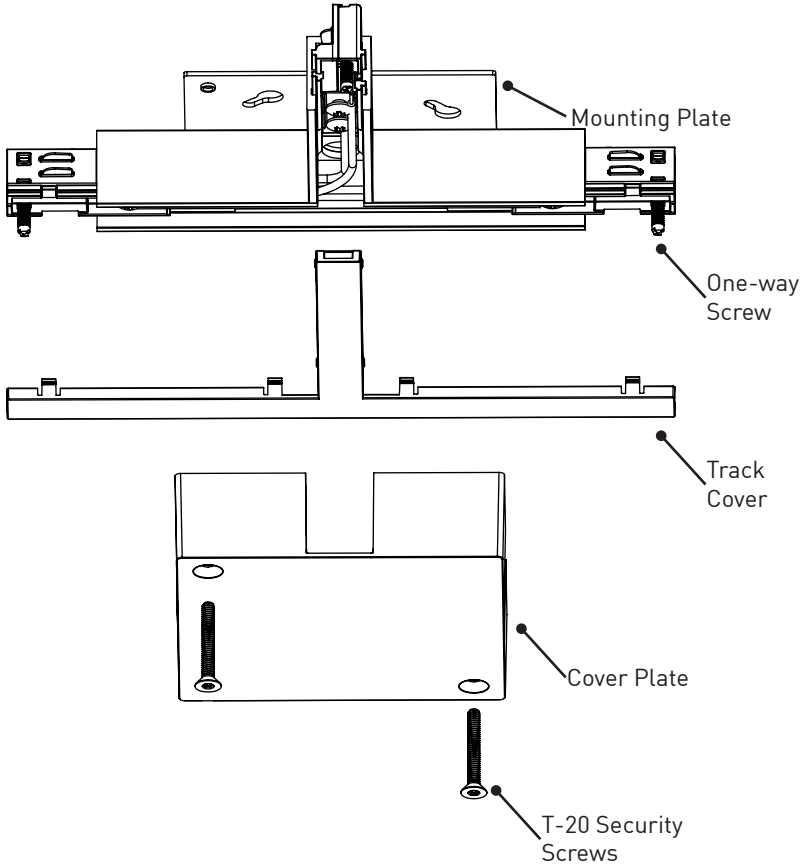


With bottom cover removed, bring line, neutral and ground wires into track connector via conduit or junction box and secure to terminals. With wires secure, tighten locking screw on connector and replace bottom cover. Make connections on all other connectors as applies.



9. SURFACE TRACK - CURRENT LIMITER INSTALLATION

Remove T-20 security screws, remove cover plate and track cover. Make line, neutral and ground connections in 4/0 junction box, attach mounting plate to 4/0 junction box. Make track connections to current limiter, **ENSURE TRACK CONNECTIONS ARE CORRECT**, tighten one-way mounting screws. Reinstall track cover and cover plate, secure with T-20 security screws.



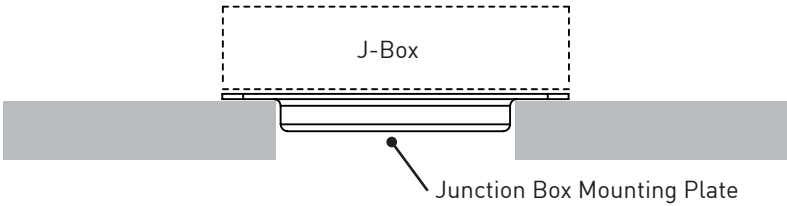
I. PENDANT TRACK INSTALLATION

Wallwash: Factory recommends track utilized with wallwash trackheads be mounted at 36" setback from wall plane, and trackheads be spaced at 36" on center.

1. PENDANT TRACK - INSTALL J-BOX MOUNTING PLATE

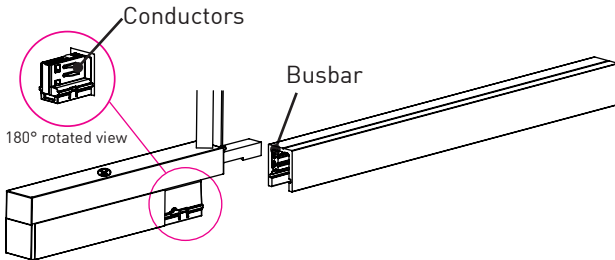
Install junction box mounting plate to 4" J-Box (supplied by others) prior to installing substrate. Requires 2.750" (70mm) cutout.

Note: Pendant track only available for North America installations.



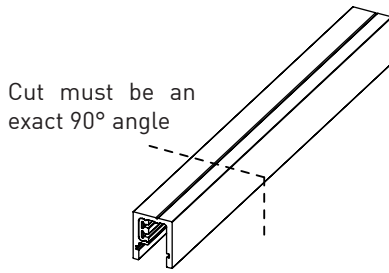
2B. PENDANT TRACK - LAYOUT

Track sections available in 8' field cuttable length. Connector is oriented left. Track assembly should be laid out to verify conductors and busbar are properly aligned prior to installation.

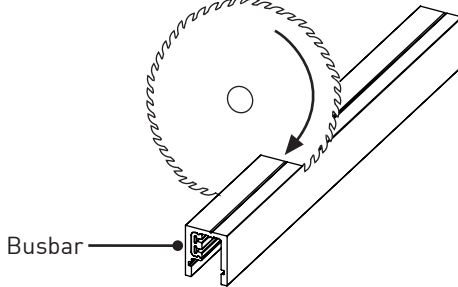


3. PENDANT TRACK - FIELD CUTTING

Using a chopsaw with fine tooth blade, cut track to desired length.

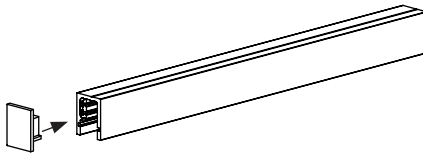


Ensure rotation of saw blade is directed towards busbar.



4. PENDANT TRACK - END CAP

Install end caps as needed with supplied screws.



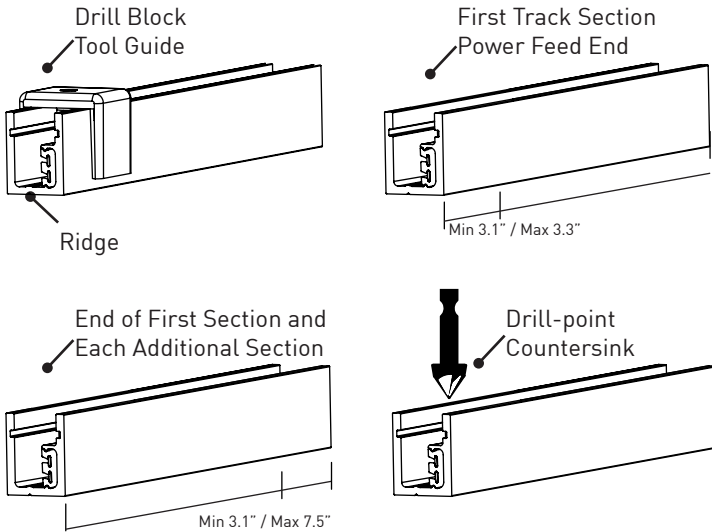
5. PENDANT TRACK - DRILL MOUNTING HOLES

The first section of track requires a 3/16" (5mm) mounting hole 3.1" (79mm) to 3.3" (84mm) from the end that will connect to the power feed connector. The opposite end of the first section of track and each additional section require one 3/16" (5mm) mounting hole 3.1" (79mm) to 7.5" (191mm) at the same interval on each section if possible. Use the drill block tool guide to drill holes through bottom of track channel centered directly on ridge, removing any burrs produced from drilling.

Using a 4" long (or longer) #4 (5/16" (8mm)) drill-point countersink (recommend McMaster-Carr# 2756A25), countersink holes from bottom of track channel.

Note: Take care to not damage busbar during drilling. If damaged, discard track section.

Note: If screw heads are not countersunk, track heads will not properly adjust the length of the track.

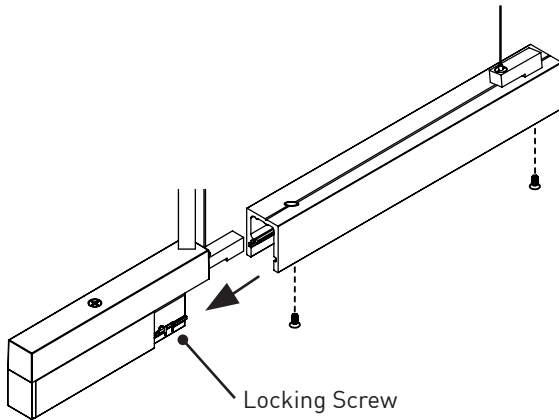


6. PENDANT TRACK - PREPARE TO MOUNT

Insert applicable power feed connector(s) and coupler(s) into track and tighten locking screw. Power feed connectors include 1/16" (1.5mm) and couplers include 5/64" (2mm) hex key. Attach leveling brackets to the track with the supplied screws as pictured below.

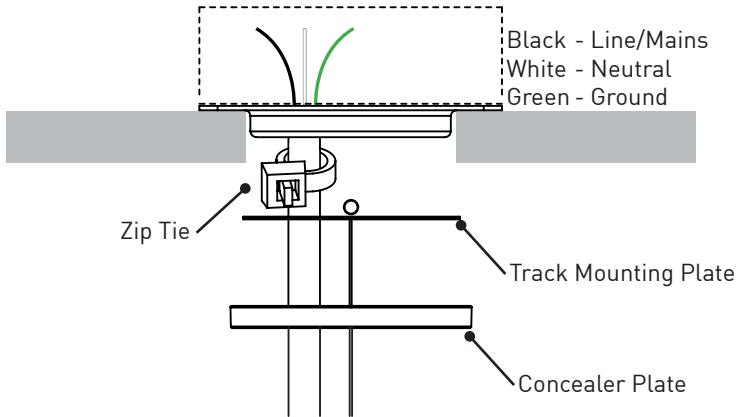
Note: First section of track requires two leveling brackets.

ENSURE TRACK CONNECTIONS ARE CORRECT, current limiter features tamper resistant cover.



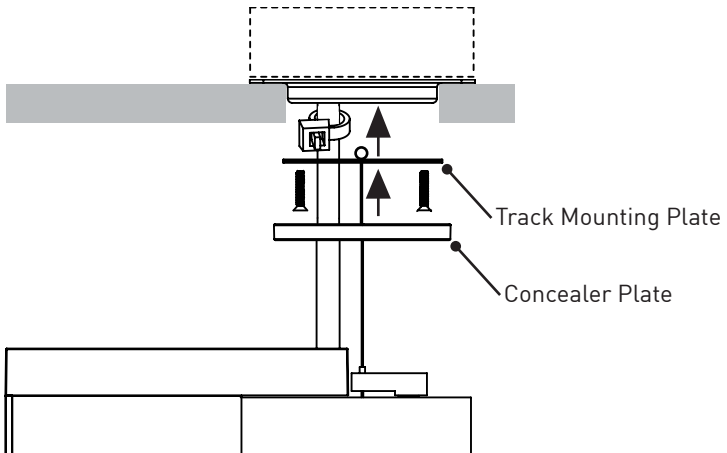
7. PENDANT TRACK - MAKE WIRING CONNECTIONS

Determine the desired length of the pendant power kit / current limiter drop. Install a zip tie on the cord above the track mounting plate to mark it. Cut cable and strip wires as required and make electrical connections in the J-Box.



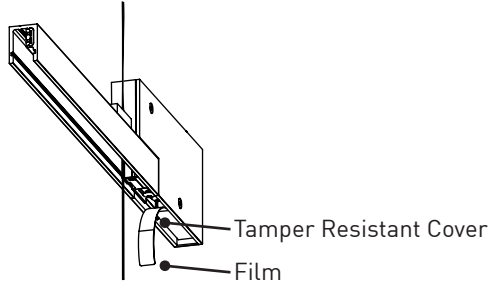
8. PENDANT TRACK - MOUNT POWER KIT / CURRENT LIMITER

Attach safety lanyard to track mounting plate and install the track mounting plate using the supplied mounting screws, tighten securely. Cover with the magnetic concealer plate.



9. PENDANT TRACK - ADHERE CURRENT LIMITER TAMPER RESISTANT COVER

Peel film off tamper resistant cover and press firmly against bottom of connector to adhere. Reinstall track cover.



10. PENDANT TRACK - ADHERE TITLE 24 LABELING TO PANEL

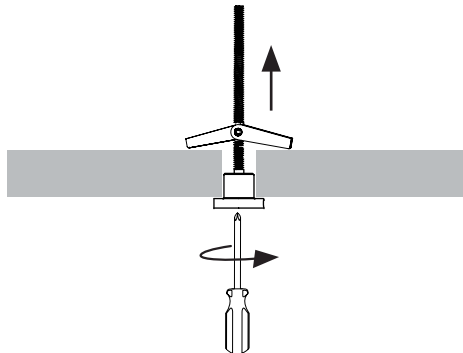
Adhere provided Title 24 label to the panel supplying line voltage to current limiters.

NOTICE: CURRENT LIMITING DEVICES INSTALLED IN TRACK LIGHTING INTEGRAL CURRENT LIMITERS CONNECTED TO THIS PANEL SHALL ONLY BE REPLACED WITH THE SAME OR LOWER AMPERAGE. ADDING TRACK OR REPLACEMENT OF EXISTING CURRENT LIMITERS WITH HIGHER CONTINUOUS AMPERE RATING WILL VOID THE TRACK LIGHTING INTEGRAL CURRENT LIMITER CERTIFICATION, AND WILL REQUIRE RE-SUBMITTAL OF COMPLIANCE DOCUMENTATION TO THE ENFORCEMENT AGENCY RESPONSIBLE FOR COMPLIANCE WITH THE CALIFORNIA TITLE 24, PART 6 BUILDING ENERGY EFFICIENCY STANDARDS.

Label

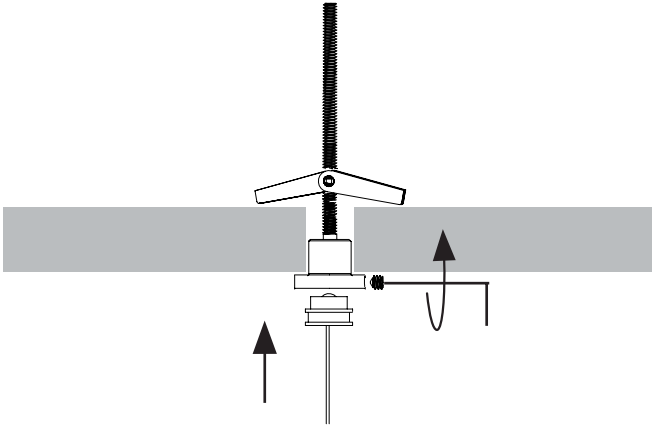
11. PENDANT TRACK - MOUNT OUTER SUSPENSION KIT RETAINER

Drill a 5/8" (16mm) hole into the ceiling substrate. Install the outer retainer of the mechanical suspension kit by carefully pushing the wing nut through the hole. Seat the retainer by hand tightening the toggle bolt.



12. PENDANT TRACK - MOUNT INNER SUSPENSION KIT RETAINER

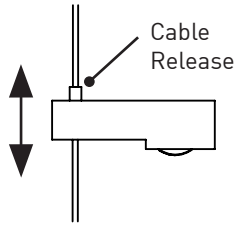
Install the inner cable retainer in the previously installed outer cable retainer and tighten the set screw with the supplied 1/16" (1.5mm) hex key.



13. PENDANT TRACK - SET SUSPENSION KIT CABLE HEIGHT

With the leveling brackets turned to the same side of the track, press cable release and adjust track to desired height.

Caution: Do not cut cable until track heads are installed and track is leveled in SECTION L.

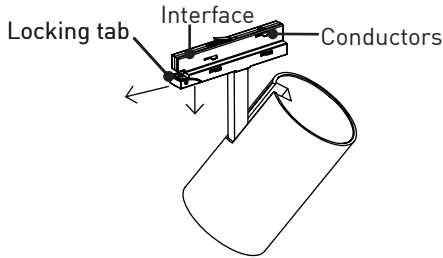


J. TRACK HEAD INSTALLATION

Wallwash: Factory recommends track utilized with wallwash trackheads be mounted at 36" setback from wall plane, and trackheads be spaced at 36" on center.

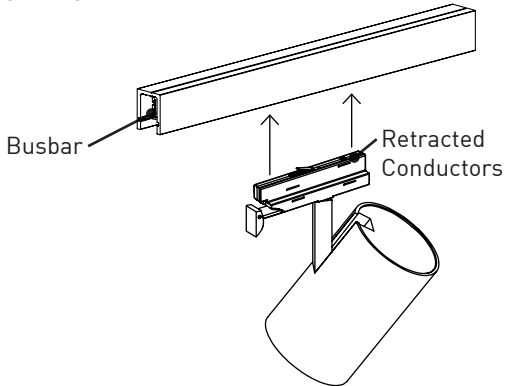
1. RETRACT CONDUCTORS

Pull down on locking tab and slide out from interface to retract conductors.



2. INSTALL TRACKHEAD

With conductors retracted and track head in a tilted position, align conductors with busbar and gently push track head adaptor into track section. Slide locking tab back into place. Reverse process to remove track heads by sliding locking tab open and pulling straight down on fixture.



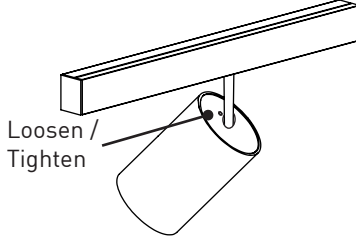
K. TRACK HEAD ADJUSTMENT

1. CT1 ADJUSTMENT

Loosen hex screw with 1/16" allen wrench. Adjust trackhead as required and tighten hex screw.

CT1: Tilts up to 60° and rotates 370°.

Wallwash: Factory recommends 15° tilt for optimal performance.

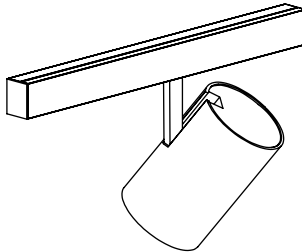


2. CT2 ADJUSTMENT

Employs toolless friction locking, adjust trackhead as required.

CT2: Tilts up to 90° and rotates 370°.

Wallwash: Factory recommends 15° tilt for optimal performance.

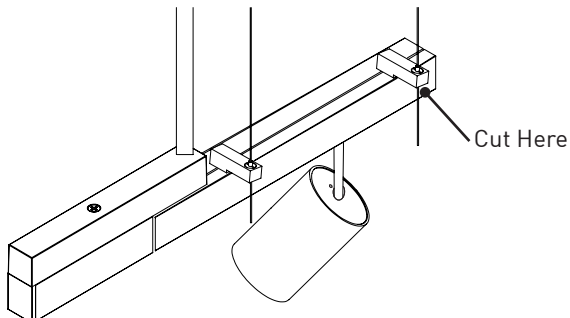


L. TRACK HEAD ADJUSTMENT

1. LEVEL PENDANT TRACK

Once trackheads are installed and adjusted, rotate the leveling brackets to level the track system. Once final positioning of track and track heads is achieved, "cut the remainder of cable off beneath the leveling brackets.

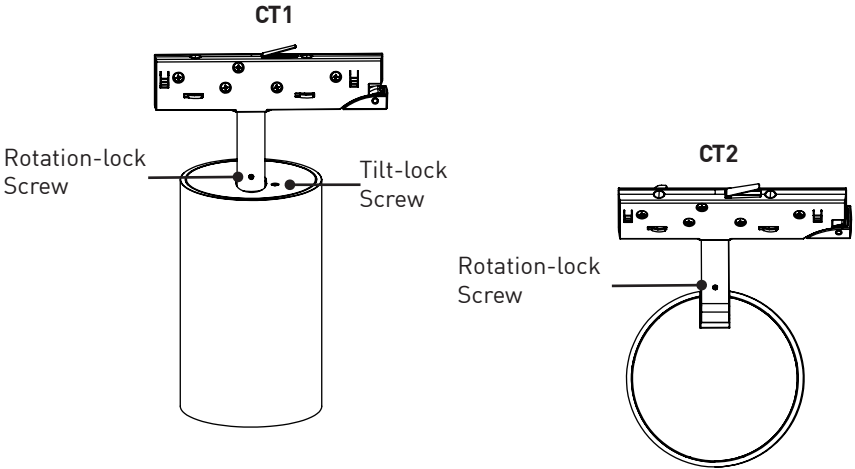
Note: Ensure leveling brackets are turned to the same side of the track.



M. WALL MOUNT

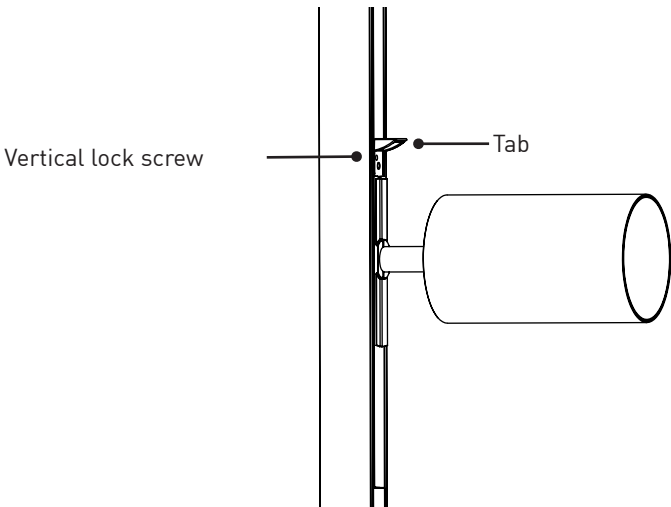
1. LOCK ROTATION

Once the track head has been aimed, tighten rotation-lock screw utilizing supplied .050" Allen tool. Track head may need to be tilted to tighten rotation-lock screw and can be tilted back into place after it is tightened. Tighten 1/16" tilt-lock allen screw on CT1 track heads upon completion.



2. LOCK TRACKHEAD

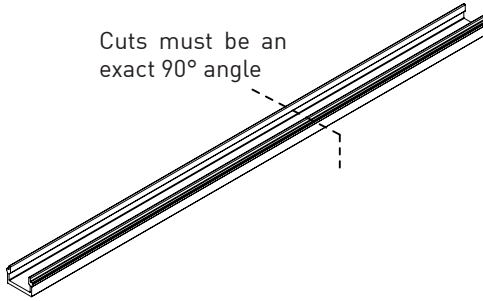
Once track head adjustments are complete, flip locking tab out and tighten vertical locking screw utilizing supplied 1/16" Allen tool.



N. TRACK GAP COVER INSTALLATION

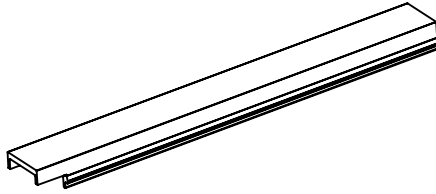
1. CUT GAP COVER

With trackheads installed, measure the distance between trackheads and cut track gap cover to the required lengths. Ensure that a 0.50" gap is left in the track cover system to allow for removal of fixtures.



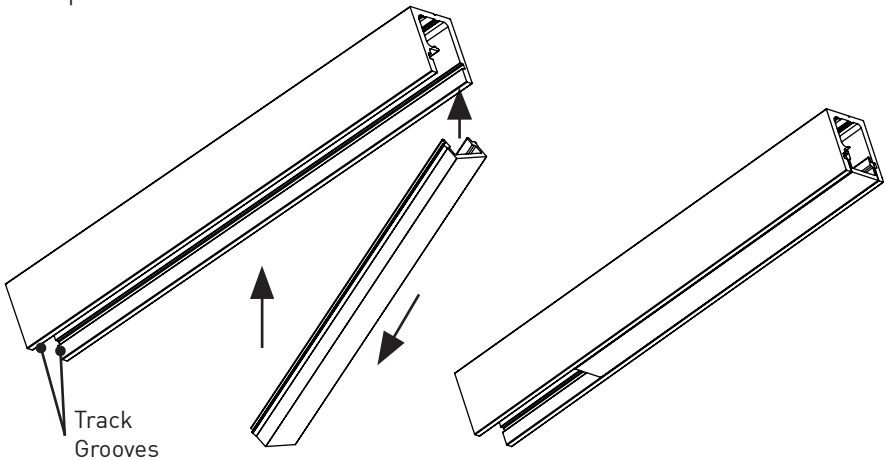
2. CUT NOTCH

Cut a notch into the end of the track gap cover that will be installed over the dead end fitting.



3. INSTALL GAP COVER

Snap one end of cover into the track grooves and carefully snap the rest of cover into place.



Please consult website for full warranty terms and conditions:
www.luciferlighting.com/warranty

[07192022]
3750 IH 35 North
San Antonio, Texas 78219 USA
[PH] +1 210 227 7329
[FAX] +1 210 227 4967
www.luciferlighting.com

LUCIFER®
LIGHTING COMPANY
©2022 Lucifer Lighting Company
As part of its policy of continuous research
and product development, the Company
reserves the right to change or withdraw
specifications without prior notice.