



STELLR
STELLR
STELLR

ONE ELEGANT FORM.
A CONSTELLATION OF LIGHTING EFFECTS.
A FIXTURE LIKE NO OTHER.

INFINITE POSSIBILITIES

STELLR® is a sophisticated lighting fixture, available in surface mount or pendant mount, that contains two concealed, independently controlled on-off, and warm dimmable light sources: a directional downlight within an illuminated sphere.



ACCENT ANY INTERIOR

A refined silhouette complements the full spectrum of design sensibilities, while offering high-performance features that allow for endless and ever-changing lighting effects.



LAYERS OF LIGHT, SHADOW, AND COLOR

Concealed and circulating LED sources allow you to direct the central cluster downward in 25°, 35°, and 55° beams, create a corona with the wave guide, and adjust the warm-dim to reflect time of day and promote circadian rhythms. Standard controls can vary lighting effects in any combination.

DIRECTIONAL

A central downlight draws attention to specific objects or locations.



DIFFUSE

An illuminated substrate offers a glare-free glow.



RADIANT

The spot and ambient lights together create a luminous atmosphere.





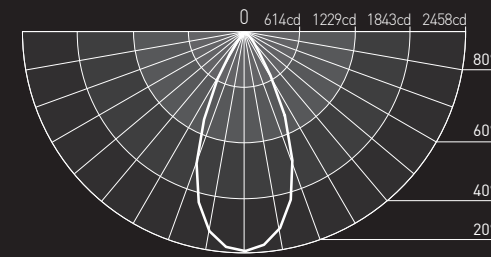
WAVEGUIDE

DOWNLIGHT

DOWNLIGHT + WAVEGUIDE

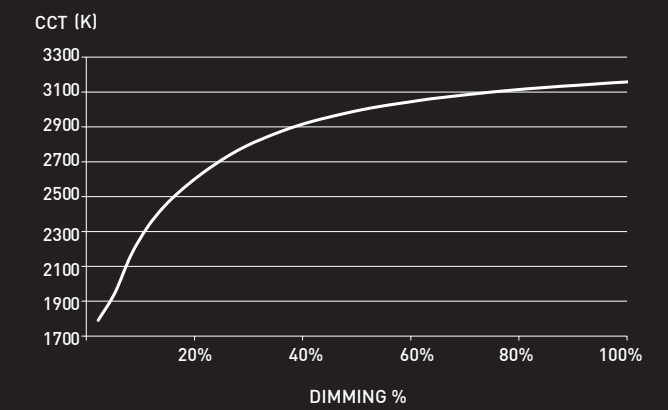
CHANGE YOUR MIND
CHANGE YOUR MOOD
CHANGE YOUR LIGHT

DOWN LIGHT

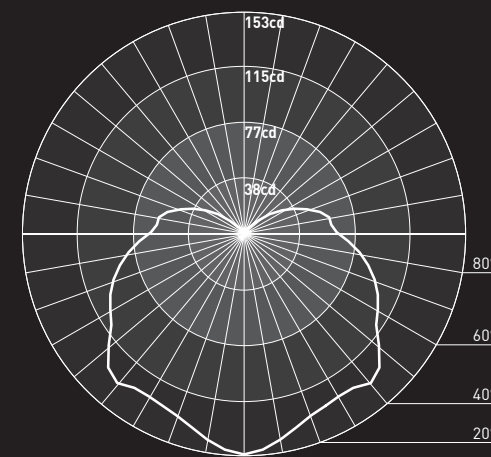


Zone	Luminaire %
0-20	55
0-30	84
0-40	95
0-60	99
0-90	100

DOWNLIGHT	CCT (K)	LIGHT OUTPUT (Lm)	POWER (W)	EFFICACY (LPW)
FULL ON 100%	3200	1018	14	73
DIMMED TO 80%	3150	814	11	73
DIMMED TO 70%	3100	713	10	73
DIMMED TO 50%	3000	509	7	73
DIMMED TO 20%	2700	204	3	73
DIMMED TO 10%	2200	102	1.4	73
DIMMED TO 2%	1800	20	0.3	73

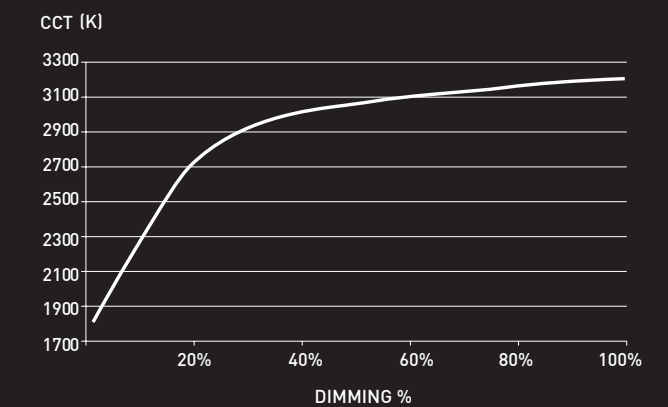


WAVEGUIDE



Zone	Luminaire %
0-20	8
0-30	17
0-40	28
0-60	53
0-90	82
90-180	18

DOWNLIGHT	CCT (K)	LIGHT OUTPUT (Lm)	POWER (W)	EFFICACY (LPW)
FULL ON 100%	3200	699	14	51
DIMMED TO 80%	3150	559	13	51
DIMMED TO 70%	3100	489	12	51
DIMMED TO 50%	3050	350	9	51
DIMMED TO 20%	2700	140	3	51
DIMMED TO 10%	2200	70	1.7	51
DIMMED TO 2%	1800	14	0.3	51



DURABLE

Solid aluminum heatsink keeps LED's at optimal temperature ensuring lifelong performance

DIMMABLE

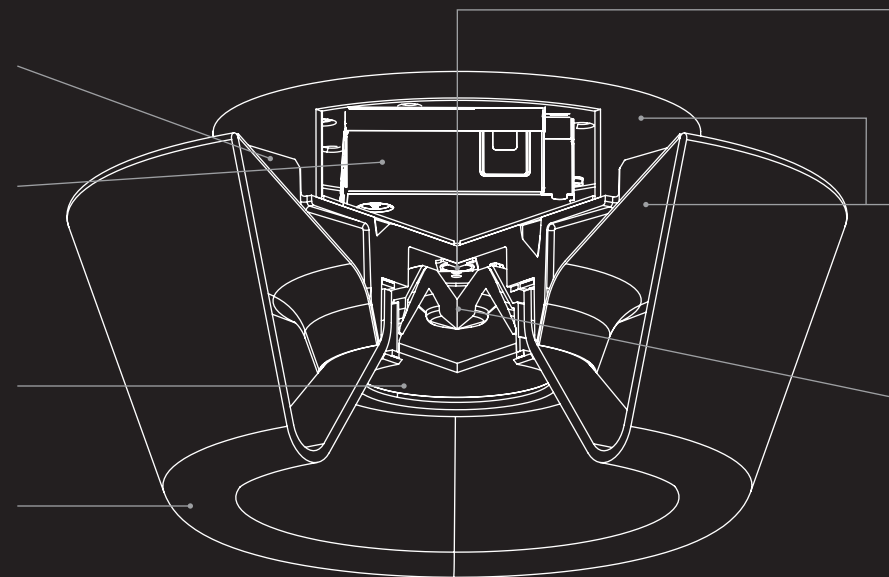
Highest quality drivers provide dimming down to 0.1%

FLEXIBILITY

Media effect device shields and spreads the downward light

SOPHISTICATION

Advanced waveguide creates beautiful layers of light with an elegant, timeless design



POWERFUL

Two independent LED sources provide high-quality, efficient, and versatile light

FINISHES

Aluminum alloy structure offered in a high-quality powder coat

PERFORMANCE

Premium optics deliver downward light in 3 distinct beam angles

Patents pending; STELLR®

SPECIFICATIONS	DOWNLIGHT	VOLUMETRIC	BOTH SOURCES
LIGHT SOURCE	LED COB	LED Mid-power	Combo
DELIVERED LUMEN 3000K 80/90CRI	1600lm / 1368lm	794lm / 715lm	2394lm / 2083lm
SYSTEM WATTAGE	17W	14W	31W
LIGHT DISTRIBUTION	Direct	Omni-directional	
CRI	80+ CRI or 90+ CRI		
CCT	2700K, 3000K, 3500K, 4000K, and Warm Dim		
STRUCTURE	Extruded, die cast, spun aluminum, polycarbonate, Nylon, and PMMA polymers		
COLORS	White, Black, Silver, and Gold		
VOLTAGE	120-277VAC		
DRIVER	Constant current using Lutron, eldoLED or ERP drivers		
DIMMING	Phase dimming, 0-10V dimming, DALI, and Lutron ECosystem		
WARRANTY	1 year- Workmanship, 5 year- LED and Power supply		

REFLECTOR COLOR	CANOPY COLOR	DOWNLIGHT LUMEN PACKAGE	WAVEGUIDE LUMEN PACKAGE	OPTIC	EFFECTS DEVICE	DRIVER	MOUNTING
WH White BK Black AG Satin Silver AU Cashmere Gold CF Custom Finish* *(Consult Factory)	WH White BK Black AG Satin Silver AU Cashmere Gold CF Custom Finish* *(Consult Factory)	<p>STATIC WHITE</p> <p>8027 80+ CRI, 2700K Dlvd. Lumens - 1539</p> <p>8030 80+ CRI, 3000K Dlvd. Lumens - 1600</p> <p>8035 80+ CRI, 3500K Dlvd. Lumens - 1616</p> <p>8040 80+ CRI, 4000K Dlvd. Lumens - 1632</p> <p>9027 90+ CRI, 2700K Dlvd. Lumens - 1315</p> <p>9030 90+ CRI, 3000K Dlvd. Lumens - 1368</p> <p>9035 90+ CRI, 3500K Dlvd. Lumens - 1381</p> <p>9040 90+ CRI, 4000K Dlvd. Lumens - 1359</p> <p>WARM DIM</p> <p>90WD 90+ CRI, 3200K - 1800K Dlvd. Lumens - 1018</p>	<p>STATIC WHITE</p> <p>8027 80+ CRI, 2700K Dlvd. Lumens - 728</p> <p>8030 80+ CRI, 3000K Dlvd. Lumens - 794</p> <p>8035 80+ CRI, 3500K Dlvd. Lumens - 794</p> <p>8040 80+ CRI, 4000K Dlvd. Lumens - 825</p> <p>9027 90+ CRI, 2700K Dlvd. Lumens - 656</p> <p>9030 90+ CRI, 3000K Dlvd. Lumens - 715</p> <p>9035 90+ CRI, 3500K Dlvd. Lumens - 715</p> <p>9040 90+ CRI, 4000K Dlvd. Lumens - 744</p> <p>WARM DIM</p> <p>90WD 90+ CRI, 3200K - 1800K Dlvd. Lumens - 699</p>	<p>15 15° 35 35° 55 55°</p> <p>STANDARD EFFECTS DEVICE</p> <p>0 No lens</p> <p>OPTIONAL EFFECTS DEVICE</p> <p>2 Honeycomb Louver</p> <p>3 Clear Glass Lens</p> <p>4 Soft Focus Lens</p>	<p>INTEGRAL</p> <p>PH 1% 120V ELV/TRIAC</p> <p>SG 120V or 277V 1% 0-10V Analog, LOG</p> <p>SN 120V or 277V 1% 0-10V Analog, LIN</p> <p>IG 220V-240V 1% 0-10V Analog, LOG</p> <p>IN 220V-240V 1% 0-10V Analog, LIN</p> <p>DD 120V-277V eldoLED, DUALdrive 0.1% DALI, LOG</p> <p>EG 120V-277V eldoLED, SOLOdrive 0.1% 0-10V, LOG</p> <p>EN 120-277V eldoLED, SOLOdrive 0.1% 0-10V, LIN</p> <p>REMOTE</p> <p>LP 120V or 277V Lutron, Hi-Lume Premiere Ecosystem</p>	<p>J Standard, J-Box Surface Mounting Plate</p> <p>E International Surface Mounting Plate</p> <p>C 1/2" and 3/4" Conduit Ceiling Mount Junction Box*</p> <p>*[Finish specified in canopy color section]</p>	

TITLE 24 COMPLIANT

JAB-2019 Indicated by shading

SERIES

S STELLR

SIZE

2 Medium 10.2"

FIXTURE TYPE

C Ceiling Mount

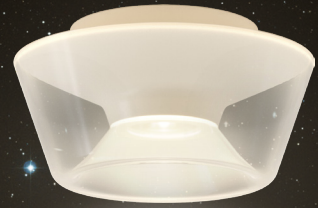
WAVEGUIDE

S Standard



INSTANT AMBIANCE

Whether it's haute cuisine or a high-end hotel, a private residence or a corporate HQ, now you can focus attention, highlight objects, create a vibe, and endlessly adjust the sensibility of your space with one extraordinary fixture.



A GLOWING WAVEGUIDE
A DIRECTIONAL DOWNLIGHT
A FIXTURE FULL OF RADIANCE

STELLR