

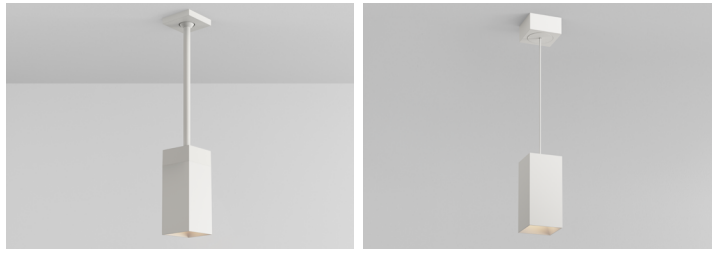
SQUILINDER®

FIXED

SUSPENDED MOUNT

A modern update to a timeless form, this award-winning, fresh-faced classic offers sleek geometry, field-changeable optics, and endless adjustability.

PROJECT NAME:	TYPE:
---------------	-------



ORDERING INFORMATION - SQUILINDER

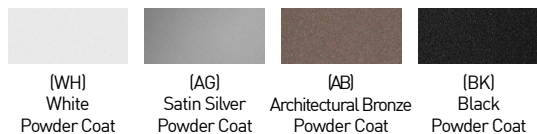


Quick Ship Product. All rough in components ship within 10 days up to quantities of 100.



JA8-2019 COMPLIANCE INDICATED BY SHADING

SQUILINDER	LENGTH	FIXTURE	RATING	SQUILINDER FINISH	BAFFLE FINISH	LUMEN PACKAGE	CCT	OPTIC	DRIVER	EFFECTS DEVICE	MOUNTING
			1								
Dropkit® STEM ASSEMBLY SD2 3.13"	043 2" - 43" Mechanical Dropkit Stem	FB Fixed Body WW Fixed Body Wallwash	1 Dry/Damp	WH White	WH White	STATIC WHITE 80C12A 80+ CRI, FB Dlvd. Lumens - 807 WW Dlvd. Lumens - 923 80C19A 80+ CRI FB Dlvd. Lumens - 1244 WW Dlvd. Lumens - 1424 80C25A 80+ CRI FB Dlvd. Lumens - 1652 WW Dlvd. Lumens - 1769 90C10A 90+ CRI, FB Dlvd. Lumens - 691 WW Dlvd. Lumens - 791 90C15A 90+ CRI FB Dlvd. Lumens - 1066 WW Dlvd. Lumens - 1220 90C20A 90+ CRI FB Dlvd. Lumens - 1416 WW Dlvd. Lumens - 1516	22 2200K* *(Only available for 90+ CRI)	10 10°** *(Only available for 80C12A, 90C10A, and 97C09A. Not available for 2200K)	INTEGRAL	STANDARD EFFECTS DEVICE	ROUGH-IN
	086 45" - 86" Mechanical Dropkit Stem			AG Satin Silver* *(Increased lead time)	AG Satin Silver* *(Increased lead time)		27 2700K	27 2700K	CE3 120V Electronic ELV Forward / Reverse Phase	40 Soft Focus Lens	JBMP 4" Sq. or 4/0 Junction Box Mounting Plate
	129 88" - 129" Mechanical Dropkit Stem			AB Architectural Bronze* *(Increased lead time)	AB Architectural Bronze* *(Increased lead time)		30 3000K	30 3000K	CE3 120V Electronic ELV Forward / Reverse Phase	WW Wallwash Lens*	FINISH OUT
	172 131" - 172" Mechanical Dropkit Stem *(All lengths are field cuttable)			BK Black	BK Black		35 3500K	35 3500K	TR2 Philips, 2% Leading/Trailing/Triac* *(Only available for 80C19A, 90C15A, and 97C14A)	00 No Lens* *(Standard for 10° optic. Not available for Warm Dim)	SMK3 3/0 Surface Mount Kit* *(Not available for SD2)
				CF Custom Finish* *(Consult Factory)	CF Custom Finish* *(Consult Factory)	90C20A 90+ CRI FB Dlvd. Lumens - 1416 WW Dlvd. Lumens - 1516	40 4000K	15 15° 25 25° 40 40° 60 60°	REMOTE (120V)	ALTERNATE EFFECTS DEVICE	SMK4 4/0 Surface Mount Kit* *(Not available for SD2)
PENDANT SP2 3.13"	XXXB Black Cable	FB Fixed Body	1 Dry/Damp	WH White	WH White	WARM DIM 90W11A 90+ CRI, Incandescent Profile FB Dlvd. Lumens - 924 WW Dlvd. Lumens - 741 90W12A 90+ CRI, Standard Profile FB Dlvd. Lumens - 1039 WW Dlvd. Lumens - 833 *SEE PAGE 3 FOR DETAILED WARM DIM PROFILE COMPARISON. *ALL DELIVERED LUMEN OUTPUTS AND T24 COMPLIANCE REFLECT 3000K PAIRED WITH 60° OPTIC AND SOFT FOCUS LENS, OR WALLWASH OPTIC AND LENS. REFERENCE PAGE 3 FOR ADDITIONAL T24 COMPLIANT CONFIGURATIONS.	25 25° 40 40° 60 60°	25 25° 40 40° 60 60°	REMOTE (120-277V)	20 Honeycomb Louver* *(Not available for Warm Dim)	CMJB 1/2" and 3/4" Conduit Ceiling Mount Junction Box* *(Quick Ship Product for WH and BK finishes only)
	XXXW White Cable			AG Satin Silver* *(Increased lead time)	AG Satin Silver* *(Increased lead time)		77C09A 97+ CRI, FB Dlvd. Lumens - 618 WW Dlvd. Lumens - 708	25 25° 40 40° 60 60°	25 25° 40 40° 60 60°	LH1 Lutron, Hi-Lume Ecosystem 1% Fade to Black	30 Clear Glass Lens* *(Not available for Warm Dim)
	Specify cable length in whole inches [Max 180] ex. specify 006B for a 6 inch black cable* *(Cable is field cuttable)			AB Architectural Bronze* *(Increased lead time)	AB Architectural Bronze* *(Increased lead time)		97C14A 97+ CRI FB Dlvd. Lumens - 954 WW Dlvd. Lumens - 906	25 25° 40 40° 60 60°	25 25° 40 40° 60 60°	LP1 Lutron, Hi-Lume Premier Ecosystem 0.1% Fade to Black	50 Frosted Glass Lens
				BK Black	BK Black		97C19A 97+ CRI FB Dlvd. Lumens - 1267 WW Dlvd. Lumens - 1169	25 25° 40 40° 60 60°	25 25° 40 40° 60 60°	AN4 Philips Titanium 1% 0-10V, LOG	60 Frosted Soft Focus Lens
				CF Custom Finish* *(Consult Factory)	CF Custom Finish* *(Consult Factory)		WL 2700K - 1800K	WW Wall-wash Optic* *(Required for Wallwash fixtures)	LN2 Philips Titanium 1% 0-10V, LIN	70 Frosted Linear Spread Lens	
							WD 3000K - 1800K		EA2 eldoLED, SOLOdrive 0.1% 0-10V, LOG	SL Soft Focus Lens w/ Linear Spread Film	
									LA2 eldoLED, SOLOdrive 0.1% 0-10V, LIN	CL Clear Glass Lens w/ Linear Spread Film	
									ED1 eldoLED, SOLOdrive 0.1% DALI, LOG		
									LD1 eldoLED, SOLOdrive 0.1% DALI, LIN		



PART NUMBER NOTES

- SD2 ships as e.g., SQ2-AD1-WHBK-90C20A2-30CA340
- Stem Assembly ships as SQ2-DK-(length)-(finish)
- SP2 ships as e.g., SP2-1801-WHBK-90C20A2-30RMT40W
- Mounting ships separate from fixture, part numbers listed on page 7.

SQUILINDER FIXED SUSPENDED MOUNT

ACCESSORIES

ALTERNATE BAFFLE AND EFFECTS DEVICE

Includes baffle with sealed lens. Must specify baffle finish.

RBA-SQ2--HCL-2** Honeycomb Louver *

*(Not available for Warm Dim)

RBA-SQ2--CGL-2** Clear Glass Lens *

*(Not available for Warm Dim)

RBA-SQ2--SFL-2** Soft Focus Lens

RBA-SQ2--FGL-2** Frosted Glass Lens

RBA-SQ2--FSFL-2** Frosted Soft Focus Lens

RBA-SQ2--FLSL-2** Frosted Linear Spread Lens

RBA-SQ2--SFL-LSL-2** Soft Focus Lens W/ Linear Spread Film

RBA-SQ2--CGL-LSL-2** Clear Glass Lens W/ Linear Spread Film

** Baffle finish: Specify **WH** for white, **BK** for black, **AG** for satin silver or

AB for architectural bronze.

REPLACEMENT OPTICS

Interchangeable optics accessible by removing baffle.

RO-70-15-1 15° optic *

*(Not available for Warm Dim)

RO-70-25-1 25° optic

RO-70-40-1 40° optic

RO-70-60-1 60° optic

Dropkit STEM EXTENSION

RPS-DK-EXT--2** 2" - 43" Stem Extension

** Stem finish: Specify **WH** for white, **BK** for black, **AG** for satin silver or **AB** for architectural bronze.

REPLACEMENT SUCTION TOOL

Included with each order [1 per 10 fixtures].

CY-SQ-TOOL-SUCTION Baffle assembly removal tool

EMERGENCY LIGHTING - REMOTE MOUNT ONLY

EMB-S-20/25-120/277-LEDX 20/25 watt max capacity, 120 or 277 VAC 60Hz

EMB-S-100-120-LEDX 100 watt max capacity, 120 VAC 60Hz

EMB-S-100-277-LEDX 100 watt max capacity, 277 VAC 60Hz

EMB-S-250-120/277-LEDX 250 watt max capacity, 120 or 277 VAC 60Hz

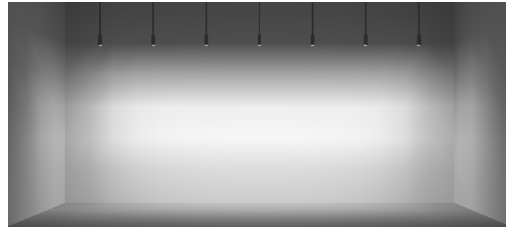
During disruption of main power, emergency battery inverter provides temporary 120V or 277V to fixture.

SQUILINDER FIXED SUSPENDED MOUNT

WALLWASH DESIGN GUIDE



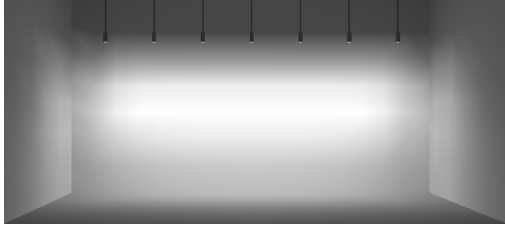
**8FT MOUNTING HEIGHT
36" SETBACK / 48" ON CENTER SPACING**



**10FT MOUNTING HEIGHT
36" SETBACK / 48" ON CENTER SPACING**



**12FT MOUNTING HEIGHT
36" SETBACK / 48" ON CENTER SPACING**



30" SETBACK / 42" ON CENTER SPACING

- AVERAGE FC: 17.19
- MAX / MIN: 5.71
- 10FT MOUNTING HEIGHT / 8-12FT IDEAL
- 7 FIXTURES / 25FT WALL SHOWN



RECOMMENDED

36" SETBACK / 48" ON CENTER SPACING

- AVERAGE FC: 13.81
- MAX / MIN: 6.21
- 10FT MOUNTING HEIGHT / 8-12FT IDEAL
- 7 FIXTURES / 32FT WALL SHOWN



42" SETBACK / 54" ON CENTER SPACING

- AVERAGE FC: 11.14
- MAX / MIN: 7.32
- 10FT MOUNTING HEIGHT / 8-12FT IDEAL
- 7 FIXTURES / 32FT WALL SHOWN

ADDITIONAL SETBACKS AND SPACINGS

ON CENTER SPACING	SETBACK		
	30"	36"	42"
30"	SHOWN ABOVE	AVERAGE FC: 13.93 MAX / MIN: 8.07	AVERAGE FC: 12.54 MAX / MIN: 8.54
36"	AVERAGE FC: 14.00 MAX / MIN: 6.22	SHOWN ABOVE	AVERAGE FC: 11.34 MAX / MIN: 7.78
42"	AVERAGE FC: 12.18 MAX / MIN: 7.73	AVERAGE FC: 11.04 MAX / MIN: 8.67	SHOWN ABOVE

***ALL DATA REFLECTS 90C15A LUMEN PACKAGE**

SQUILINDER FIXED SUSPENDED MOUNT

STATIC WHITE PERFORMANCE - 3000K - SOFT FOCUS LENS

LUMEN PACKAGE	WATTAGE	10° OPTIC NO SOFT FOCUS LENS		15° OPTIC SOFT FOCUS LENS		20° OPTIC SOFT FOCUS LENS		40° OPTIC SOFT FOCUS LENS		60° OPTIC SOFT FOCUS LENS		WW OPTIC WALLWASH LENS	
		DELIVERED	LPW	DELIVERED	LPW	DELIVERED	LPW	DELIVERED	LPW	DELIVERED	LPW	DELIVERED	LPW
80C12A	10	960	56 (17W)	831	84	794	80	758	77	807	82	923	92
80C19A	17	-	-	1282	78	1225	75	1169	71	1244	76	1424	84
80C25A	24	-	-	1702	73	1627	70	1552	66	1652	71	1769	74
90C10A	10	814	47 (17W)	712	72	681	69	649	66	691	70	791	79
90C15A	17	-	-	1098	67	1050	64	1001	61	1066	65	1220	72
90C20A	24	-	-	1459	62	1394	60	1330	57	1416	61	1516	63
97C09A	10	745	43 (17W)	637	64	609	62	581	59	618	63	708	71
97C14A	17	-	-	983	60	939	57	896	55	954	58	906	53
97C19A	24	-	-	1305	56	1247	53	1190	51	1267	54	1169	49
90W11A	16	-	-	-	-	913	57	777	48	924	57	741	46
90W12A	16	-	-	-	-	1026	64	874	54	1039	64	833	52



JA8-2019 INDICATED BY SHADING

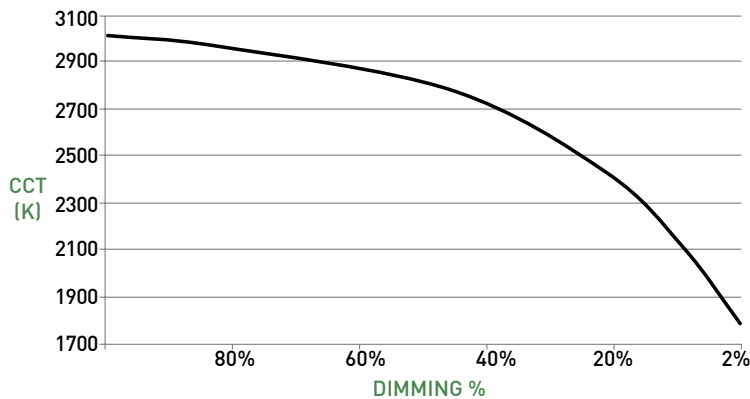
OUTPUT MULTIPLIER	
CCT	CCT SCALE
2200K (Consult factory for JA8 details)	0.800
2700K	0.957
3000K	1.000
3500K	1.019
4000K	1.030

LIGHT LOSS FACTOR MULTIPLIER	
No Lens	1.05
SFL	1.00
CGL	1.00
FGL	0.90
FSFL	0.87
FLSL	0.83
SFL W/ LINEAR SPREAD	0.82
CGL W/ LINEAR SPREAD	0.82
HCL	0.65

WARM DIM PERFORMANCE - SOFT FOCUS LENS - 60° OPTIC

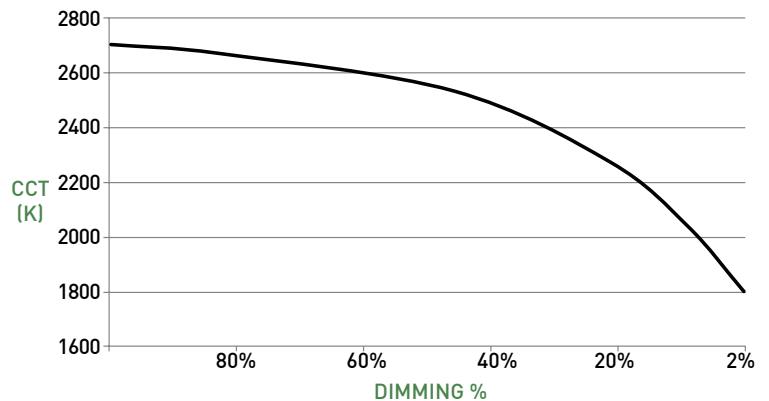
STANDARD WARM DIM PROFILE

90W12A 3000K - 1800K	Full on 100%	Dimmed to 80%	Dimmed to 70%	Dimmed to 50%	Dimmed to 20%	Dimmed to 10%	Dimmed to 2%
CCT (K)	3000	2950	2920	2775	2375	2000	1800
Light Output (Lm)	1039	831	727	519	207	103	20
Power (W)	14	11	10	7	3	1.5	0.3
Efficacy (LPW)	64	64	64	64	64	64	64



WARM DIM TO MIRROR INCANDESCENT DIMMING PROFILE

90W11A 2700K - 1800K	Full on 100%	Dimmed to 80%	Dimmed to 70%	Dimmed to 50%	Dimmed to 20%	Dimmed to 10%	Dimmed to 2%
CCT (K)	2700	2650	2620	2520	2180	1950	1800
Light Output (Lm)	924	739	647	462	184	92	18
Power (W)	16	13	11	8	3	1.7	0.3
Efficacy (LPW)	57	57	57	57	57	57	57

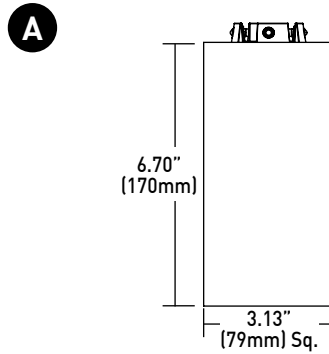


SQUILINDER FIXED SUSPENDED MOUNT

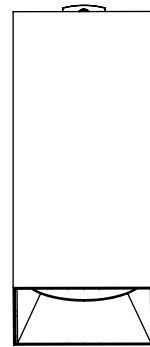
Dropkit STEM ASSEMBLY

- A LUMINAIRE**
Machined body with integral heat sink and LED. Power supply may be integral or remote mount.
- B FIXED BODY OPTICS**
Field-changeable optics available in 10°, 15°, 25°, 40° and 60° beams.
- WALLWASH OPTIC**
Precision tuned optic provides uniform wallwashing effect.
- C FIXED BODY EFFECTS DEVICE**
Soft focus lens or no lens standard; lenses sealed in place. Fixture can accept 1 effects device.
- WALLWASH EFFECTS DEVICE**
Wallwash lens is sealed in place. Fixture can accept 1 effects device.
- D BAFFLE**
Baffle minimizes aperture glare and conceals view into fixture. Suction tool provided for removal of baffle.
- E Dropkit**
 - Field cuttable rigid stem for suspending fixture at desired height. Provides stable base to allow preferred fixture tilt, while maintaining vertical stem position.
 - Ball joint allows up to 45° tilt for sloped ceilings and can be locked once stem is positioned vertically.
 - Four 43" sections available; 172" maximum standard length.
 - Length adjustment occurs in lower canopy.
 - Wiring for stem assembly provided by others.

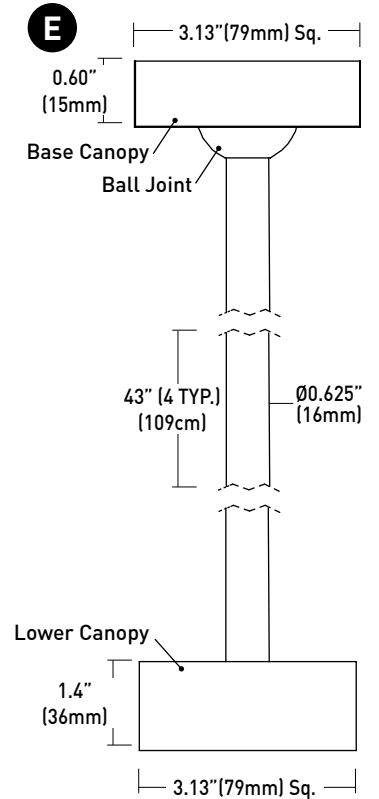
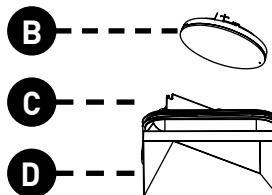
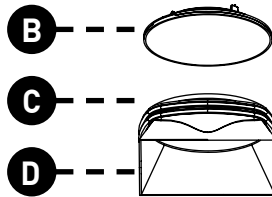
DIMENSIONS / DRAWINGS



FIXED BODY



FIXED BODY WALLWASH

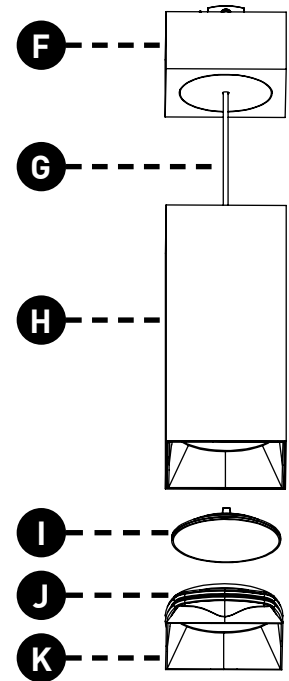
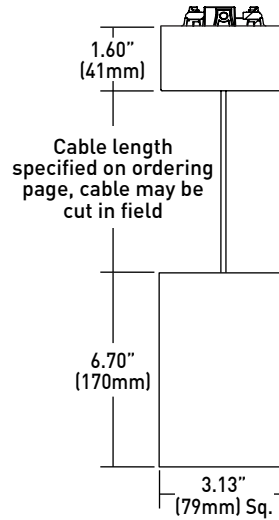


SQUILINDER FIXED SUSPENDED MOUNT

PENDANT

- F CANOPY**
Machined 1.60" (41mm) canopy accommodates flat and slope ceiling conditions. Conceals hidden mounting hardware. Available with integral or remote driver.
- G CABLE**
Black and white wiring harness available; up to 180.0" length; cable may be cut in field.
- H LUMINAIRE**
Machined body with integral heat sink and LED.
- I STANDARD OPTICS**
Proprietary optics available in 10°, 15°, 25°, 40° & 60° beams.
- J EFFECTS DEVICE**
Soft focus lens or no lens standard; lenses sealed in place. Fixture can accept 1 effects device.
- K BAFFLE**
Baffle minimizes aperture glare and conceals view into fixture. Suction tool provided for removal of baffle.

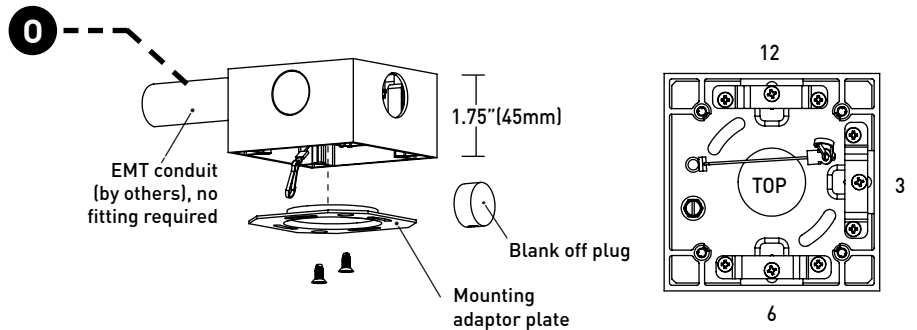
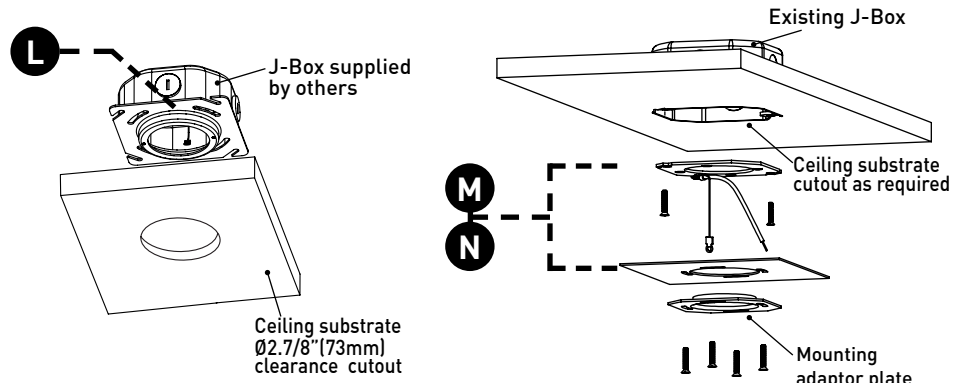
DIMENSIONS / DRAWINGS



SQUILINDER FIXED SUSPENDED MOUNT

Dropkit STEM AND PENDANT MOUNTING

- L JBMP**
Mounting plate (concealed) for standard 4" square or 4" 4/0 j-box . To be installed during rough-in prior to substrate. Fixture to mount flush with minimalist transition to ceiling.
Part Number - SQ2-JBMP
- M SMK3**
Surface mount kit includes mounting plate and 4" concealer plate that installs between fixture and standard 3" 3/0 j-box for existing applications where standard j-box cutout is to be concealed.
Part Number - SQ2-SMK-3/0-(FINISH)
- N SMK4**
Surface mount kit includes mounting plate and 5" concealer plate that installs between fixture and standard 4" 4/0 j-box for existing applications where standard j-box cutout is to be concealed.
Part Number - SQ2-SMK-4/0-(FINISH)
- O CMJB**
Ceiling mount junction box perfectly matches the squilinder profile for a continuous, integrated look where exposed ceiling mount junction box and conduit applications apply. For use with 1/2" and 3/4" EMT conduit only. Features three conduit entrances at 12, 3, and 6 o'clock plus one conduit knockout on top. Painted finishes only. Blank off plugs included.
Part Number - SQ2-CMJB-(FINISH)

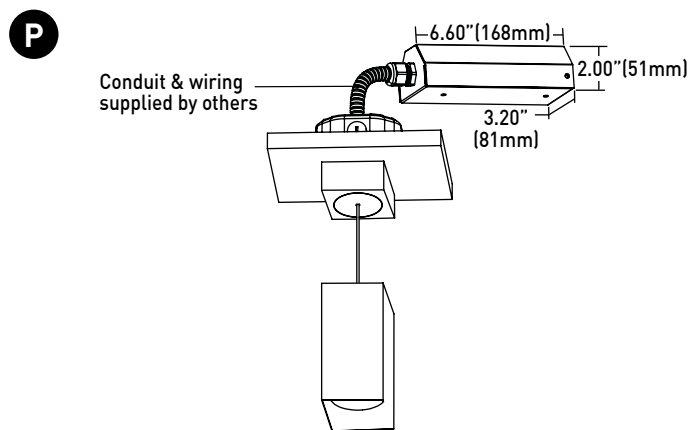


MOUNTING NOTES

- JBMP not recommended for use with pancake style j-box.
- For applications involving slat ceilings or confined mounting, consult Comprehensive Install Guide for required clearances for proper air flow and servicing.

REMOTE POWER SUPPLY

- P PS-RMT**
Remote power supply provides additional driver options. Mounting device still required. See page 8 for maximum allowable secondary run lengths between PS-RMT and fixture.



SQUILINDER FIXED SUSPENDED MOUNT

TECHNICAL

CONSTRUCTION

Squilinder: Machined aluminum body; painted finishes are granulated powder coat.

Dropkit Stem Assembly: Die-cast aluminum canopies and extruded aluminum stems; painted finishes are granulated powder coat.

CMJB: Die-cast aluminum body; painted finishes are granulated powder coat.

Remote Power Supply: 22 Gauge galvanized steel.

STATIC WHITE LED

2-step MacAdam ellipse LED module available in 80+, 90+ and 97+ CRI configurations in color temperatures of 2200K, 2700K, 3000K, 3500K and 4000K. Average rated lamp life of 50,000 hours. LED and driver assemblies are field-replaceable.

WARM DIM LED

3-step MacAdam ellipse warm dim LED module available in 90+ CRI configuration. 3000K or 2700K at full brightness, warming to 1800K at full dim. Average rated lamp life of 50,000 hours. LED and driver assemblies are field-replaceable.

POWER SUPPLY PERFORMANCE AND DIMMING INFORMATION

Power Supply	CA3	CE3	TR2	L23	LH1	LP1	AN4	LN2	EA2	LA2	ED1	LD1
Minimum °C	-20 °C	-20 °C	-20 °C	0 °C	0 °C	0 °C	-20 °C	-20 °C	-20 °C	-20 °C	-20 °C	-20 °C
Maximum °C	40 °C	40 °C	40 °C	40 °C	40 °C	40 °C	40 °C	40 °C	40 °C	40 °C	40 °C	40 °C
Dimming %	2.0%	2.0%	2.0%	1.0%	1.0%	0.1%	1.0%	1.0%	0.1%	0.1%	0.1%	0.1%

Note: For TR2, L23, LH1, LP1, AN4, LN2, EA2 and LA2 drivers consult chart on page 9 to confirm appropriate dimming curve for compatibility with selected control.

MAXIMUM ALLOWABLE REMOTE DRIVER WIRING DISTANCES

DRIVER	WIRE AWG				
	12	14	16	18	20
TR2, AN4, LN2	285'	180'	113'	71'	45'
L23, LH1, LP1	60'	40'	25'	15'	-
EA2, LA2, ED1, LD1	-	-	118'	72'	46'

WALLWASH SPACING

Factory recommends 48" (1219mm) spacing on center with 36" (914mm) setback from wall plane.

MOUNTING

Pendant is supplied with a mounting adaptor plate, which integrates with specified mounting component. Dropkit Stem integrates directly with specified mounting component. JBMP provide a minimalist transition from standard 4/0 or 4" square junction boxes and accommodating ceiling thicknesses of 0.44" (12mm) to 0.75" (19mm). Ceiling-mount junction box available for 1/2" (13mm) and 3/4" (19mm) conduit and feature concealed internal clamps for clean fitting-free conduit exit and entry.

LISTING

cTUVus listed to UL1598 standard for Dry / Damp (IP14) locations. Title 24 JA8-2019 Listed.

FIXTURE WEIGHT

SD2 and Mounting - 5.8 lbs

SP2 and Mounting - 4.6 lbs

Remote Driver - 1.4 lbs

LIMITED WARRANTY

Manufacturer's 1-year warranty guarantees product(s) listed to be free from defects in material and workmanship under normal use and service. 5-year warranty on LED and power supply to operate with 70% of the original flux and remain within a range of 3 duv. 10-year Lutron Advantage limited warranty available on Lutron equipped systems. Warranty period begins from the date of shipment by Seller and conditional upon the use of manufacturer-supplied power supply. Consult [website](#) for full warranty terms and conditions.

CHANGE LOG

- 01/12/2021: ADDED 2200K, 2700K-1800K WARM DIM AND 10 DEGREE OPTIC OFFERINGS.
- 03/17/2021: ADDED SMK MOUNTING OPTION FOR PENDANT
- 03/17/2021: ADDED CMJB MOUNTING OPTION FOR DROPKIT.
- 04/29/2021: ADDED FIXED BODY WALLWASH AND LP1 DRIVER OFFERINGS.
- 06/09/2022: ADDED HONEYCOMB LOUVER, SOFT FOCUS LENS W/ LINEAR SPREAD FILM, AND CLEAR GLASS LENS W/ LINEAR SPREAD FILM.
- 10/17/2022: REMOVED 90W13A 3200K-1800K WARM DIM AND ADDED 90W12A 3000K-1800K WARM DIM.
- 03/03/2023: ADDED SMK3 AND SMK4 MOUNTING OPTIONS FOR SP2.

SQUILINDER FIXED SUSPENDED MOUNT

DIMMING COMPATIBILITY

PHILIPS DRIVER COMPATIBILITY

Power supply TR2 Manufacturer	Family/Model #
Lutron Electronics	DV-600P
Lutron Electronics	DVELV-303P
Lutron Electronics	NTELV-600
Lutron Electronics	MAELV-600
Lutron Electronics	SELV-300P
Lutron Electronics	DVLV-600P
Lutron Electronics	NFTU-5A
Lutron Electronics	CTCL-153P
Lutron Electronics	GL-600H
Lutron Electronics	S-600P
Lutron Electronics	PHPM
Power supply AN4 / LN2 Manufacturer	Family/Model #
Lutron Electronics	DVTV plus PP-DV
Lutron Electronics	DVSCTV plus PP-DV
Lutron Electronics	DVSTV
Lutron Electronics	DVSCSTV
Lutron Electronics	QSGRJ-XP plus GRX-TVI
Lutron Electronics	QSGRJ-XE plus GRX-TVI
Lutron Electronics	QSGR-XE plus GRX-TVI
Lutron Electronics	NFTV plus PP-DV
Lutron Electronics	NTSTV
Lutron Electronics	RMJ-5T
Lutron Electronics	RMJS-8T
Lutron Electronics	FCJS-010
Leviton	IllumaTch IP7 series
Philips	Sunrise - SR1200ZTUNV

LUTRON DRIVER COMPATIBILITY

Power supply L23 Lutron Product Family	Part No.
Maestro WirelessR 600 W dimmer	MRF2-6ND-120-
Maestro WirelessR 1000 W dimmer	MRF2-10ND-120-
Caséta® Wireless Pro 1000 W dimmer	PD-10NXD-
GRAFIK T™ CL® dimmer	GT-250M-GTJ-250M-
HomeWorks® QS adaptive dimmer	HQRD-6NA-
HomeWorks® QS 600 W dimmer	HQRD-6ND-
HomeWorks® QS 1000 W dimmer	HQRD-10ND-
RadioRA® 2 adaptive dimmer	RRD-6NA-
RadioRA® 2 1000 W dimmer	RRD-10ND
myRoom™ DIN power module	MQSE-4A1-D
HomeWorks® QS DIN power module	LQSE-4A1-D
HomeWorks® QS wallbox power module	HQRJ-WPM-6D-120
HomeWorks® wallbox power module	HWI-WPM-6D-120
GRAFIK Eye® QS control unit	QSGR-, QSGRJ-
GRAFIK Eye® 3000 control unit	GRX-3100-GRX-3500-
RPM-4U module (LCP, HomeWorks® QS, GRAFIK Systems™, Quantum®)	HW-RPM-4U-120 LP-RPM-4U-120
RPM-4A module (LCP, HomeWorks® QS, GRAFIK Systems™, Quantum®)	HW-RPM-4A-120, LP-RPM-4A-120
GP dimming panels	Various
Ariadni CL 250W dimmer	AYCL-253P-
Diva CL 250W dimmer	DVCL-253P-DCSCCL-253P-
Nova T CL 250W dimmer	NTCL-250-
Power supply LH1 / LP1 Lutron Product Family	Part No.
PowPak Dimming Modules	RMJ-ECO32-DV-B
PowPak Dimming Modules	FCJ/FCJS-ECO
Energi Savr Nodes	QSN-1ECO-S
GRAFIK Eye QS control unit	QSN-2ECO-S
Homeworks QS control unit	QSGRJ- _E (wireless) QSGR- _E
Quantum Hub	QP2-__ 2C
Quantum Hub	QP2-__ 4C
Quantum Hub	QP2-__ 6C
Quantum Hub	QP2-__ 8C
Homeworks QS power module	LQSE-2ECO-D
myRoom Plus power module	

eldoLED DRIVER COMPATIBILITY

Power supply EA2 / LA2 Dimmer / Switch Control Manufacturer	Family/Model #
Busch-Jaeger	2112U-101
Jung	240-10
Leviton Lighting Controls	IP710-DLX
Lightolier Controls	ZP600FAM120
Lutron Electronics	Nova T® - NTFTV
Lutron Electronics	Div@ - DVTV
Lutron Electronics	Nova@ - NFTV
Merten	5729
Pass & Seymour	CD4FB-W
The Watt Stopper	DCLV1
Sensor Switch	nI0 EZ
Synergy	ISD BC
Power supply EA2 / LA2 Dimmer / Switch Control Manufacturer	Family/Model #
Dimmer / Switch Control Manufacturer	GrafixEye® GRX-TVI w GRX3503 Energy Savr Node™ - QSN-4T16-S
Lutron Electronics	TVM2 Module
Crestron®	GLX-DIMFLV8
Crestron®	GLXP-DIMFLV8
Crestron®	GLPAC-DIMFLV4-*
Crestron®	GLPAC-DIMFLV8-*
Crestron®	GLPP-DIMFLVEX-PM
Crestron®	GLPP-1DIMFLV2EX-PM
Crestron®	GLPP-1DIMFLV3EX-PM
Crestron®	DIN-A08
Crestron®	DIN-4DIMFLV4
Crestron®	CLS-EXP-DIMFLV
Crestron®	CLCI-1DIMFLV2EX
ABB	SD/S 2.16.1

