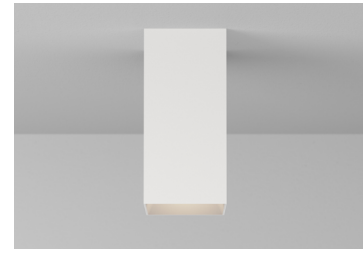


# SQUILINDER® LVS FIXED SURFACE MOUNT

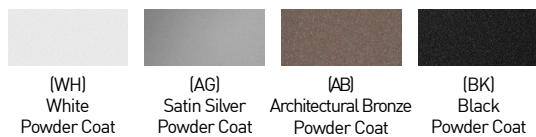
A modern update to a timeless form, this award-winning, fresh-faced classic offers sleek geometry, field-changeable optics, and endless adjustability.

PROJECT NAME:	TYPE:
---------------	-------



## ORDERING INFORMATION - SQUILINDER

SQUILINDER	FIXTURE	RATING	SQUILINDER FINISH	BAFFLE FINISH	CRI / WATTAGE PACKAGE	CCT	OPTIC (UGR)	DRIVER	MEDIA	MOUNTING
<b>SQ2</b>	<b>3.13"</b>	<b>1</b>						<b>LVS</b>		
<b>SQ2</b>	<b>3.13"</b>	<b>1</b>	<b>1</b> Dry/Damp					<b>LVS</b> Low Voltage System		
	<b>FB</b> Fixed Body <b>WW</b> Wallwash Unibody		<b>WH</b> White <b>AG</b> Satin Silver* *(Increased lead time) <b>AB</b> Architectural Bronze* *(Increased lead time) <b>BK</b> Black <b>CF</b> Custom Finish* *(Consult Factory)	<b>WH</b> White <b>AG</b> Satin Silver* *(Increased lead time) <b>AB</b> Architectural Bronze* *(Increased lead time) <b>BK</b> Black <b>CF</b> Custom Finish* *(Consult Factory)	<b>STATIC WHITE</b> <b>80S11A</b> 80+ CRI, 11 Watts Lm. Delivered - 1278 <b>80S17A</b> 80+ CRI, 17 Watts Lm. Delivered - 1960 <b>80S23A</b> 80+ CRI, 23 Watts Lm. Delivered - 2541 <b>90S11A</b> 90+ CRI, 11 Watts Lm. Delivered - 1098 <b>90S17A</b> 90+ CRI, 17 Watts Lm. Delivered - 1684 <b>90S23A</b> 90+ CRI, 23 Watts Lm. Delivered - 2183 <b>97S11A</b> 97+ CRI, 11 Watts Lm. Delivered - 964 <b>97S17A</b> 97+ CRI, 17 Watts Lm. Delivered - 1479 <b>97S23A</b> 97+ CRI, 23 Watts Lm. Delivered - 1917	<b>24</b> 2400K* *(90+ CRI only) <b>27</b> 2700K <b>30</b> 3000K <b>35</b> 3500K <b>40</b> 4000K	<b>10</b> 10°* (>19) *(17W packages only) <b>15</b> 15° (<16) <b>20</b> 20° (<13) <b>25</b> 25° (<16) <b>40</b> 40° (<16) <b>60</b> 60° (>19)	<b>LVS</b> Low Voltage System	<b>STANDARD MEDIA</b> <b>40</b> Soft Focus Lens <b>WW</b> Wallwash Lens* *(Required for Wallwash fixtures) <b>00</b> No Lens* *(Standard for 10° optic. Not available for Warm Dim)	<b>ROUGH-IN</b> <b>JBMP</b> 4" Sq. or 4/0 Junction Box Mounting Plate <b>FINISH OUT</b> <b>SMK3</b> 3/0 Surface Mount Kit <b>SMK4</b> 4/0 Surface Mount Kit <b>CMJB</b> 1/2" and 3/4" Conduit Ceiling Mount Junction Box* *(Quick Ship Product for WH and BK finishes only)
					<b>WARM DIM</b> <b>90W18A</b> 90+ CRI, 18 Watts Incandescent Profile Lm. Delivered - 1153 Halogen Profile Lm. Delivered - 1130 *SEE PAGE 5 FOR DETAILED WARM DIM PROFILE COMPARISON.	<b>WL</b> 2700K-1800K <b>WD</b> 3000K-1800K	<b>20</b> 20° (<10) <b>25</b> 25° (<10) <b>40</b> 40° (<13) <b>60</b> 60° (<16)		<b>ALTERNATE MEDIA</b> <b>20</b> Honeycomb Louver* *(Not available for Warm Dim) <b>30</b> Clear Glass Lens* *(Not available for Warm Dim) <b>50</b> Frosted Glass Lens <b>60</b> Frosted Soft Focus Lens <b>70</b> Frosted Linear Spread Lens	
					<b>TUNABLE WHITE</b> <b>90T17A</b> 90+ CRI, 17 Watts Warm Profile Lm. Delivered - 991 Cool Profile Lm. Delivered - 982 *ALL DELIVERED LUMEN OUTPUTS REFLECT 3000K PAIRED WITH 20° OPTIC AND SOFT FOCUS LENS.	<b>TR</b> 4000K-1800K <b>TH</b> 5000K-2700K	<b>15</b> 15° (<16) <b>20</b> 20° (<13) <b>25</b> 25° (<16) <b>40</b> 40° (<16) <b>60</b> 60° (>19)		<b>50</b> Soft Focus Lens w/ Linear Spread Film <b>CO</b> Clear Glass Lens w/ Linear Spread Film	



## PART NUMBER NOTES




- Fixed Body ships as e.g., SQ2-FB1-WHBK-90S17A2-30LVS40
- Wallwash ships as e.g., SQ2-WW1-WHBK-90S17A1-W0LVS0
- Mounting ships separate from fixture, part numbers listed on page 7.

# SQUILINDER LVS FIXED SURFACE MOUNT

## APPLICATION NOTES

- Lucifer Lighting will not supply a fixture with a POE node or power supply inside the fixture. This allows for easier site install with nodes of 2 or more outputs.
- Consult node manufacturer for maximum remote wiring distances.
- Fixture features 18 Gauge wiring.
- Wiring connections are made on the fixture using customer supplied connectors, ex. wire nuts, push-in connectors, or terminal blocks.
- Confirm node compatibility with factory if it is not listed.
- Customers are responsible for ensuring POE node drive current is set to correct values shown below.
- Customers must ensure voltage range of the proposed POE node encompasses the fixtures complete Vf range, both maximum and minimum. If assistance is required contact LLC rep or factory.

## NODE COMPATIBILITY

Manufacturer	Model Number
 Igor Enabling Smart Buildings™	NP50-60-C-F-5
 molex	180996-1001 180996-1002 180996-2001 180996-2002
 PLATFORMATICS	1 Channel Node, POE-LN2-1U-E 2 Channel Node, POE-LN2-2U-E 4 Channel Node, POE-LN2-4U-E

## DRIVE CURRENT SPECIFICS

	80S			90S			97S			90W		90T	
	11A	17A	23A	11A	17A	23A	11A	17A	23A	18AL	18AD	17AR	17AT
Minimum Vf	30.5	30.5	30.5	30.5	30.5	30.5	30.5	30.5	30.5	30.5	30.5	30.5	30.5
Maximum Vf	39	39	39	39	39	39	39	39	39	39	39	39	39
Current mA	250	400	550	250	400	550	250	400	550	400	400	400	400
Wattage W	8.2	13.6	19.4	8.2	13.6	19.4	8.2	13.6	19.4	13.6	13.6	14.4	14.4

	10 DEGREE OPTIC		
	80S17C	90S17C	97S17C
Minimum Vf	30.5	30.5	30.5
Maximum Vf	39	39	39
Current mA	400	400	400
Wattage W	13.6	13.6	13.6

## WIRING DIAGRAM



LV CONSTANT  
CURRENT SOURCE:

POE NODE OR  
REMOTE DRIVER

(+) ————— Red (+)

Class 2  
Wiring

(-) ————— Black (-)

SQUILINDER

# SQUILINDER LVS FIXED SURFACE MOUNT

## ACCESSORIES

### ALTERNATE BAFFLE AND MEDIA

Includes baffle with sealed lens. Must specify baffle finish.

**RBA-SQ2-\*\*-HCL-2** Honeycomb Louver \*

\*(Not available for Warm Dim)

**RBA-SQ2-\*\*-CGL-2** Clear Glass Lens \*

\*(Not available for Warm Dim)

**RBA-SQ2-\*\*-SFL-2** Soft Focus Lens

**RBA-SQ2-\*\*-FGL-2** Frosted Glass Lens

**RBA-SQ2-\*\*-FSFL-2** Frosted Soft Focus Lens

**RBA-SQ2-\*\*-FSL-2** Frosted Linear Spread Lens

**RBA-SQ2-\*\*-SFL-LSL-2** Soft Focus Lens W/ Linear Spread Film

**RBA-SQ2-\*\*-CGL-LSL-2** Clear Glass Lens W/ Linear Spread Film

\*\* Baffle finish: Specify **WH** for white, **BK** for black, **AG** for satin silver or

**AB** for architectural bronze.

### STATIC WHITE REPLACEMENT OPTICS

**RO-70-15-S** 15° optic

**RO-70-20-S** 20° optic

**RO-70-25-S** 25° optic

**RO-70-40-S** 40° optic

**RO-70-60-S** 60° optic

**RO-70-WW-S** Wallwash optic

### WARM DIM REPLACEMENT OPTICS

**RO-70-20-W** 20° optic

**RO-70-25-W** 25° optic

**RO-70-40-W** 40° optic

**RO-70-60-W** 60° optic

**RO-70-WW-W** Wallwash optic

### STATIC WHITE REPLACEMENT OPTICS

**RO-70-15-T** 15° optic

**RO-70-20-T** 20° optic

**RO-70-25-T** 25° optic

**RO-70-40-T** 40° optic

**RO-70-60-T** 60° optic

**RO-70-WW-T** Wallwash optic

### REPLACEMENT SUCTION TOOL

Included with each order (1 per 10 fixtures).

**CY-SQ-TOOL-SUCTION** Baffle assembly removal tool

### EMERGENCY LIGHTING - REMOTE MOUNT ONLY

**EMB-S-25-120/277-LEDX** 25 watt max capacity, 120 or 277 VAC 60Hz

**EMB-S-100-120-LEDX** 100 watt max capacity, 120 VAC 60Hz, 0-10V dimmable

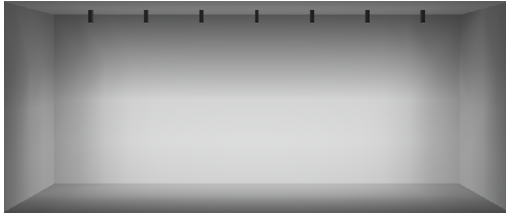
**EMB-S-100-277-LEDX** 100 watt max capacity, 277 VAC 60Hz, 0-10V dimmable

**EMB-S-250-120/277-LEDX** 250 watt max capacity, 120 or 277 VAC 60Hz

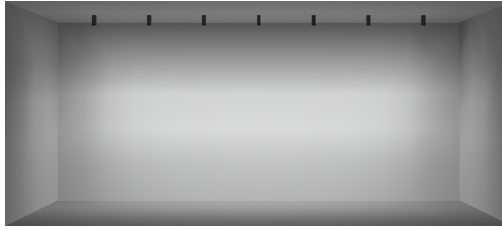
During disruption of main power, emergency battery inverter provides temporary 120V or 277V to fixture.

# SQUILINDER LVS FIXED SURFACE MOUNT

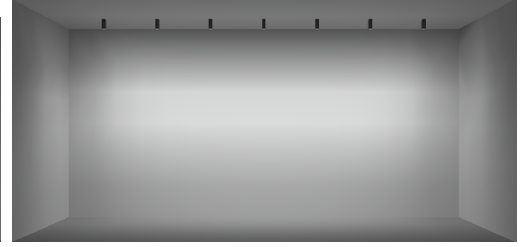
## WALLWASH DESIGN GUIDE



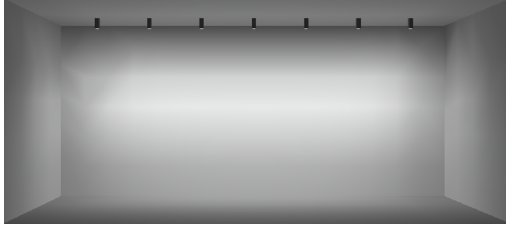
**8FT CEILING**  
**36" SETBACK / 48" ON CENTER SPACING**



**10FT CEILING**  
**36" SETBACK / 48" ON CENTER SPACING**

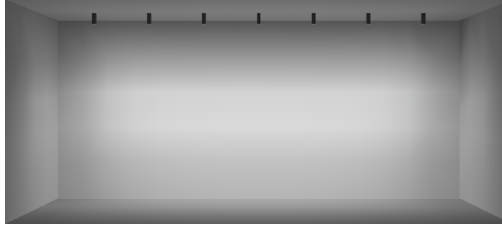


**12FT CEILING**  
**36" SETBACK / 48" ON CENTER SPACING**



**30" SETBACK / 42" ON CENTER SPACING**

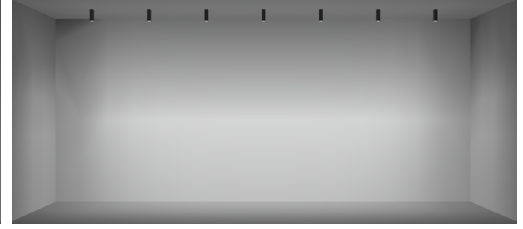
- AVERAGE FC: 17.19
- MAX / MIN: 5.71
- 10FT CEILING SHOWN / 8-12FT IDEAL
- 7 FIXTURES / 25FT WALL SHOWN



### RECOMMENDED

**36" SETBACK / 48" ON CENTER SPACING**

- AVERAGE FC: 13.81
- MAX / MIN: 6.21
- 10FT CEILING SHOWN / 8-12FT IDEAL
- 7 FIXTURES / 28FT WALL SHOWN



**42" SETBACK / 54" ON CENTER SPACING**

- AVERAGE FC: 11.14
- MAX / MIN: 7.32
- 10FT CEILING SHOWN / 8-12FT IDEAL
- 7 FIXTURES / 32FT WALL SHOWN

### ADDITIONAL SETBACKS AND SPACINGS

ON CENTER SPACING	SETBACK		
	30"	36"	42"
42"	SHOWN ABOVE	AVERAGE FC: 15.45 MAX / MIN: 6.50	AVERAGE FC: 13.79 MAX / MIN: 7.36
48"	AVERAGE FC: 15.35 MAX / MIN: 5.35	SHOWN ABOVE	AVERAGE FC: 12.33 MAX / MIN: 7.20
54"	AVERAGE FC: 13.86 MAX / MIN: 5.40	AVERAGE FC: 12.47 MAX / MIN: 6.10	SHOWN ABOVE

**\*ALL DATA REFLECTS 90S17A WATTAGE PACKAGE**

# SQUILINDER LVS FIXED SURFACE MOUNT

## STATIC WHITE PERFORMANCE - 3000K - SOFT FOCUS LENS

WATTAGE PACKAGE	WATTAGE	10° OPTIC NO LENS		15° OPTIC SOFT FOCUS LENS		20° OPTIC SOFT FOCUS LENS		25° OPTIC SOFT FOCUS LENS		40° OPTIC SOFT FOCUS LENS		60° OPTIC SOFT FOCUS LENS		WW OPTIC WALLWASH LENS	
		DLVD	LPW	DLVD	LPW	DLVD	LPW	DLVD	LPW	DLVD	LPW	DLVD	LPW	DLVD	LPW
80S11A	11	-	-	1289	117	1278	116	1282	117	1222	111	1154	105	913	83
80S17A	17	1513	89	1916	113	1960	115	1925	113	1846	109	1737	102	1395	82
80S23A	23	-	-	2440	106	2541	110	2515	109	2383	104	2240	97	1814	79
90S11A	11	-	-	1107	101	1098	100	1101	100	1050	95	991	90	784	71
90S17A	17	1304	77	1646	97	1684	99	1654	97	1586	93	1492	88	1198	70
90S23A	23	-	-	2096	91	2183	95	2161	94	2047	89	1924	84	1558	68
97S11A	11	-	-	972	88	964	88	967	88	922	84	870	79	688	63
97S17A	17	1125	66	1445	85	1479	87	1452	85	1392	82	1310	77	1052	62
97S23A	23	-	-	1840	80	1917	83	1897	82	1797	78	1689	73	1368	59
90W18AL (2700K-1800K)	18	-	-	-	-	1153	64	1133	63	1095	61	1037	58	858	48
90W18AD (3000K-1800K)	18	-	-	-	-	1130	63	1132	63	1093	61	1047	58	881	49
90T17ATR (4000K-1800K)	17	-	-	985	58	991	59	999	59	938	56	904	54	923	55
90T17ATH (5000K-2700K)	17	-	-	977	58	982	58	990	59	930	55	896	53	905	54

### MEDIA LIGHT LOSS MULTIPLIER

MEDIA	LIGHT LOSS FACTOR
No Lens	1.06
SFL	1.00
CGL	0.98
FGL	0.91
FSFL	0.87
FLSL	0.82
SFL W/ LIN. SPREAD	0.76
CGL W/ LIN. SPREAD	0.74
HCL	0.73

### OUTPUT MULTIPLIER

CCT	CCT SCALE
2400K	0.76
2700K	0.97
3000K	1.00
3500K	1.03
4000K	1.08

### TUNABLE WHITE MULTIPLIER

CCT	5000K-2700K	4000K-1800K
5000K	1.16	-
4000K	1.08	1.14
3500K	1.04	1.07
3000K	1.00	1.00
2700K	0.96	0.92
2400K	-	0.84
1800K	-	0.69

### UNIFIED GLARE RATING

10° OPTIC NO LENS	15° OPTIC SOFT FOCUS LENS	20° OPTIC SOFT FOCUS LENS	25° OPTIC SOFT FOCUS LENS	40° OPTIC SOFT FOCUS LENS	60° OPTIC SOFT FOCUS LENS
>19	<16	<13	<16	<16	<19

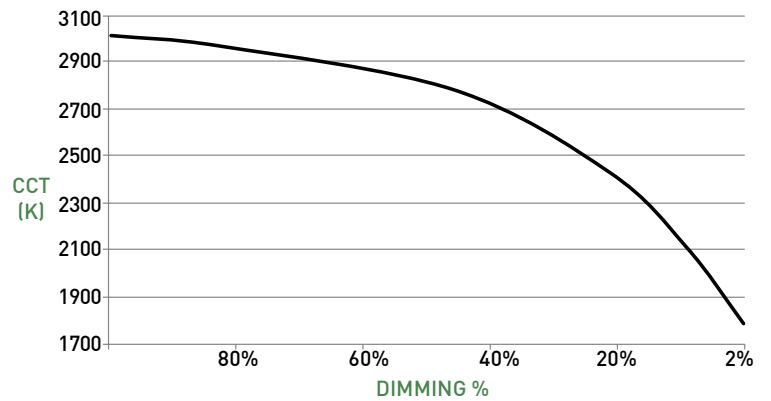
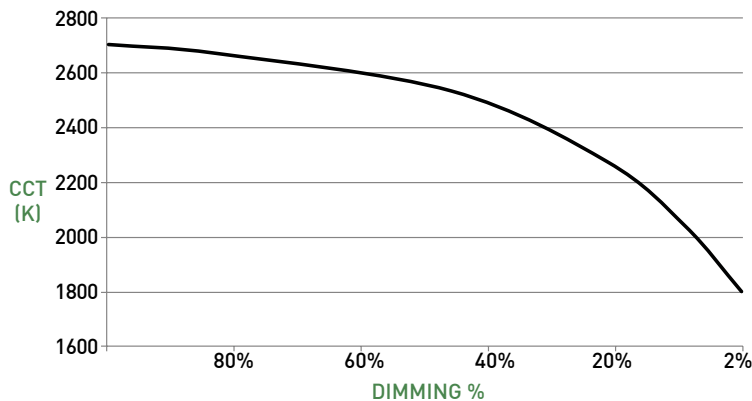
## WARM DIM PERFORMANCE - SOFT FOCUS LENS - 20° OPTIC

### INCANDESCENT DIMMING PROFILE

90W18AL 2700K - 1800K	Full on 100%	Dimmed to 80%	Dimmed to 70%	Dimmed to 50%	Dimmed to 20%	Dimmed to 10%	Dimmed to 2%
CCT (K)	2700	2650	2620	2520	2180	1950	1800
Light Output (Lm)	1153	922	807	576	231	115	23
Power (W)	18	14	13	9	4	2	.4
Efficacy (LPW)	64	64	64	64	64	64	64

### STANDARD WARM DIM PROFILE

90W18AD 3000K - 1800K	Full on 100%	Dimmed to 80%	Dimmed to 70%	Dimmed to 50%	Dimmed to 20%	Dimmed to 10%	Dimmed to 2%
CCT (K)	3000	2950	2920	2775	2375	2000	1800
Light Output (Lm)	1130	904	791	565	226	113	23
Power (W)	18	14	13	9	4	2	.4
Efficacy (LPW)	62	62	62	62	62	62	62

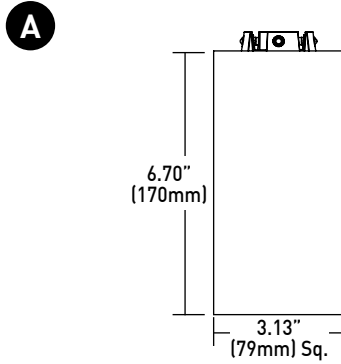


# SQUILINDER LVS FIXED SURFACE MOUNT

## FIXTURE

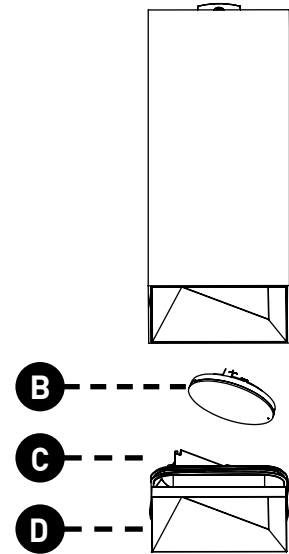
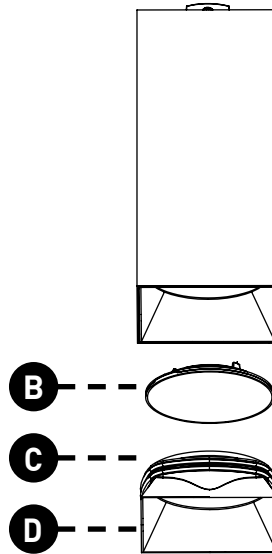
- A LUMINAIRE**  
Machined body with integral heat sink and LED.  
Power supply must be remote mount.
- B FIXED BODY OPTIC**  
Field-changeable optics available in 10°, 15°, 25°, 40° and 60° beams.
- WALLWASH OPTIC**  
Precision tuned optic provides uniform wallwashing effect.
- C FIXED BODY MEDIA**  
Soft focus lens or no lens standard; lenses sealed in place. Fixture can accept 1 media.
- WALLWASH MEDIA**  
Wallwash lens is sealed in place. Fixture can accept 1 media.
- D BAFFLE**  
Baffle minimizes aperture glare and conceals view into fixture. Suction tool provided for removal of baffle.

## DIMENSIONS / DRAWINGS



FIXED BODY

WALLWASH UNIBODY



# SQUILINDER LVS FIXED SURFACE MOUNT

## MOUNTING

### E JBMP

Mounting plate (concealed) for standard 4" square or 4" 4/0 j-box. To be installed during rough-in prior to substrate. Fixture to mount flush with minimalist transition to ceiling.

Part Number - SQ2-JBMP

### F SMK3

Surface mount kit includes mounting plate and 4" concealer plate that installs between fixture and standard 3" 3/0 j-box for existing applications where standard j-box cutout is to be concealed.

Part Number - SQ2-SMK-3/0-(FINISH)

### G SMK4

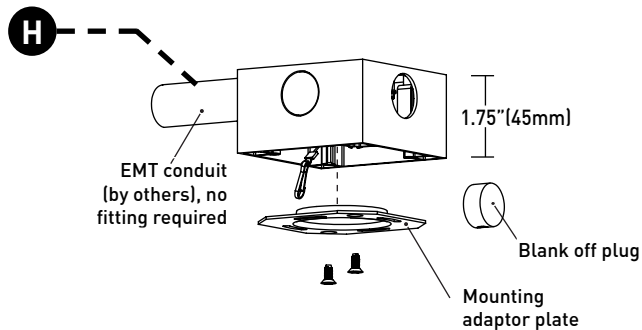
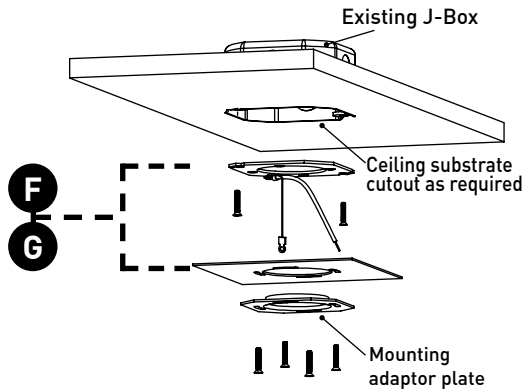
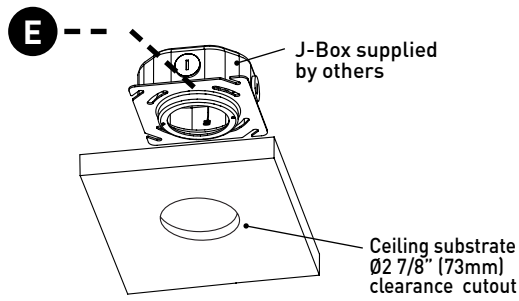
Surface mount kit includes mounting plate and 5" concealer plate that installs between fixture and standard 4" 4/0 j-box for existing applications where standard j-box cutout is to be concealed.

Part Number - SQ2-SMK-4/0-(FINISH)

### H CMJB

Ceiling mount junction box perfectly matches the squilinder profile for a continuous, integrated look where exposed ceiling mount junction box and conduit applications apply. For use with 1/2" and 3/4" EMT conduit only. Features three conduit entrances at 12, 3, and 6 o'clock plus one conduit knockout on top. Painted finishes only. Blank off plugs included.

Part Number - SQ2-CMJB-(FINISH)



## MOUNTING NOTES

- JBMP not recommended for use with pancake style j-box.
- For applications involving slat ceilings or confined mounting, consult Comprehensive Install Guide for required clearances for proper air flow and servicing.

# SQUILINDER LVS FIXED SURFACE MOUNT

## TECHNICAL

### CONSTRUCTION

**Squilinder:** Machined aluminum body; painted finishes are granulated powder coat.

**CMJB:** Die-cast aluminum body; painted finishes are granulated powder coat.

### STATIC WHITE LED

2-step MacAdam ellipse LED module available in 80+, 90+ and 97+ CRI configurations in color temperatures of 2700K, 3000K, 3500K and 4000K. 3-step MacAdam ellipse LED module available in 90+ CRI configuration in color temperature of 2400K. Average rated lamp life of 50,000 hours. LED and driver assemblies are field-replaceable.

### WARM DIM LED

3-step MacAdam ellipse warm dim LED module available in 90+ CRI configuration. 3000K or 2700K at full brightness, warming to 1800K at full dim. Average rated lamp life of 50,000 hours. LED and driver assemblies are field-replaceable.

### TUNABLE WHITE LED

3-step MacAdam ellipse tunable white LED module available in 90+ CRI configuration. Features tuning range of 2700K to 5000K and 1800K to 4000K. Average rated lamp life of 50,000 hours. Driver assemblies are field-replaceable.

### WALLWASH SPACING

Factory recommends 48" (1219mm) spacing on center with 36" (914mm) setback from wall plane.

### MOUNTING

Squilinder is supplied with a mounting adaptor plate, which integrates with JBMP, providing a minimalist transition from standard 4/0 or 4" square junction boxes and accommodating ceiling thicknesses of 0.44" (12mm) to 0.75" (19mm). Ceiling-mount junction box available for 1/2" (13mm) and 3/4" (19mm) conduit and feature concealed internal clamps for clean fitting-free conduit exit and entry.

### LISTING

cTUVus listed to UL2108 standard for Dry / Damp (IP10) locations. NEMA 410 compliant.

### WEIGHT

Fixture and Mounting - 3.8 lbs

### LIMITED WARRANTY

Manufacturer's 1-year warranty guarantees product(s) listed to be free from defects in material and workmanship under normal use and service. 5-year warranty on LED to operate with 70% of the original flux and remain within a range of 3 duv. Warranty period begins from the date of shipment by Seller. [Consult website for full warranty terms and conditions.](#)

### CHANGE LOG

- 1.01/12/2021: ADDED 2200K, 2700K-1800K WARM DIM AND 10 DEGREE OPTIC OFFERINGS.
- 2.03/17/2021: ADDED SMK MOUNTING OPTION.
- 3.04/29/2021: ADDED LP1 DRIVER OFFERING.
- 4.06/09/2022: ADDED HONEYCOMB LOUVER, SOFT FOCUS LENS W/ LINEAR SPREAD FILM, AND CLEAR GLASS LENS W/ LINEAR SPREAD FILM.
- 5.10/17/2022: REMOVED 90W13A 3200K-1800K WARM DIM AND ADDED 90W12A 3000K-1800K WARM DIM.
- 6.08/08/2023: ADDED NEW LED AND OPTIC OFFERINGS. REMOVED 2200K OFFERING.
- 7.1/11/2024: ADDED 2400K OFFERING.
- 8.2/7/2024: ADDED TUNABLE WHITE OFFERING.