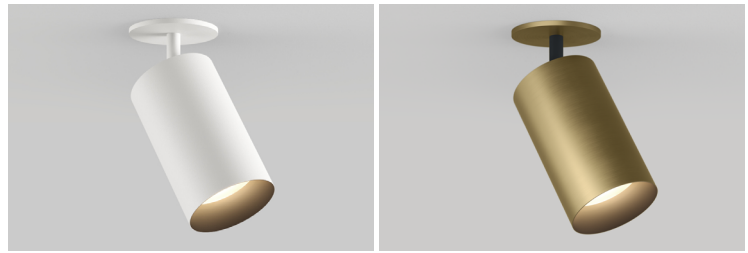


MONOPOINT LVS

CM2 SURFACE MOUNT

PROJECT NAME:	TYPE:
---------------	-------



Elegant design means this monopoint does more. An inventive elbow built into the fixture body that allows a full 90 degree tilt and drop lengths of up to 1' extend adjustability.

ORDERING INFORMATION - MONOPOINT

CYLINDER	LENGTH	FIXTURE	BODY FINISH	BAFFLE FINISH	STEM FINISH	CRI / WATTAGE PACKAGE	CCT	OPTIC (UGR)	DRIVER	MEDIA	MOUNTING
CM2									LVS		
CM2 3.25"	LENGTHS SL 1.4" Standard 06 6" 12 12" CUSTOM LENGTHS XX Specify in 1" increments between 2"-11" (Ex. 4" = 04)* *(Increased lead time) STEMS ARE NOT FIELD CUTTABLE	ADJUSTABLE DRY / DAMP AD1 Adjustable 90° Tilt FIXED TILT WET (IP65) F02 Fixed 0° No Tilt* F12 Fixed 15° Tilt* F32 Fixed 30° Tilt* F42 Fixed 45° Tilt* *FIXED TILT IS SET AS SPECIFIED, CANNOT BE CHANGED IN THE FIELD	POWDERCOAT WH White BK Black AB Architectural Bronze AG Satin Silver AU Cashmere Gold BB Burnt Bronze CF Custom Finish* ALUMINA INTERIOR APPLICATIONS ONLY 01 Brushed Obsidian 02 Matte Obsidian 03 Brushed Dark Patinated Bronze 04 Matte Dark Patinated Bronze 05 Brushed Aged Aluminum 06 Matte Aged Aluminum 07 Brushed Cast Brass 08 Matte Cast Brass 09 Brushed Light Patinated Bronze 10 Matte Light Patinated Bronze ALUMINA NOT RECOMMENDED FOR EXTERIOR APPLICATIONS, FINISHES ARE NOT WARRANTED	POWDERCOAT WH White BK Black AB Architectural Bronze AG Satin Silver AU Cashmere Gold BB Burnt Bronze CF Custom Finish* ALUMINA CONSULT FACTORY FOR ALUMINA FINISHES	POWDERCOAT WH White BK Black AB Architectural Bronze AG Satin Silver AU Cashmere Gold BB Burnt Bronze CF Custom Finish* ALUMINA CONSULT FACTORY FOR ALUMINA FINISHES	STATIC WHITE 80S11A 80+ CRI, 11 Watts Lumens Delivered - 1216 80S17A 80+ CRI, 17 Watts Lumens Delivered - 1843 90S11A 90+ CRI, 11 Watts Lumens Delivered - 1045 90S17A 90+ CRI, 17 Watts Lumens Delivered - 1583 97S11A 97+ CRI, 11 Watts Lumens Delivered - 918 97S17A 97+ CRI, 17 Watts Lumens Delivered - 1390 REMOTE STATIC WHITE 80S28B 80+ CRI, 28 Watts Lumens Delivered - 2756 90S28B 90+ CRI, 28 Watts Lumens Delivered - 2368 97S28B 97+ CRI, 28 Watts Lumens Delivered - 2079 WARM DIM 90W18A 90+ CRI, 18 Watts Incandescent Profile Lumens Delivered - 1140 Halogen Profile Lumens Delivered - 1128 SEE PAGE 4 FOR WARM DIM PROFILE COMPARISON.	24 2400K* 27 2700K 30 3000K 35 3500K 40 4000K 27 2700K 30 3000K 35 3500K* 40 4000K WL 2700K - 1800K WD 3000K - 1800K	10 10° (>19) 15 15° (<13) 20 20° (<10) 25 25° (<10) 40 40° (<10) 60 60° (<16) 15 15° (<13) 20 20° (<10) 25 25° (<10) 40 40° (<10) 60 60° (<16) 20 20° (<10) 25 25° (<10) 40 40° (<10) 60 60° (<13)	LVS Low Voltage System	STANDARD MEDIA 4 Soft Focus Lens 0 No Lens* *(Standard with 10° optic, Not available for Wet Location or Warm Dim) ALTERNATE MEDIA 2 Honeycomb Louver* *(Not available for Wet Location or Warm Dim) 3 Clear Glass Lens* *(Not available for Warm Dim) 5 Frosted Glass Lens 6 Frosted Soft Focus Lens 7 Frosted Linear Spread Lens S Soft Focus Lens w/ Honeycomb Louver F Frosted Glass Lens w/ Honeycomb Louver	ROUGH-IN J JBMP 4" Sq. or 4/0 Junction Box Mounting Plate. Features 2.6" diameter canopy* *(Mounting plate must be installed on junction box prior to ceiling installation). FINISH OUT C CMJB 1/2" and 3/4" Conduit Ceiling Mount Junction Box. Features matching 3.25" canopy.* *(Not available for Wet Location. Only available in powdercoat finishes. Alumina finish fixtures ship with Black powdercoat CMJB) G Zero Sightline Gypsum (1/16" Applique) Features 2.6" diameter canopy* *(Mounts to 4/0 junction box) R Remodel 4.5" diameter Flange Overlay Canopy* *(Mounts to existing 4/0 junction box)
						LUMENS DELIVERED REFLECT 3000K PAIRED WITH 20° OPTIC AND SOFT FOCUS LENS.		SEE PAGE 4 FOR UGR RATINGS			

PART NUMBER NOTES

- CM2 ships as e.g., CM202AD1WHBK90S17*3040LVS4
- Mounting ships separate from fixture, part numbers listed on page 6.






MONOPOINT LVS CM2 ADJUSTABLE

APPLICATION NOTES

- Lucifer Lighting will not supply a fixture with a POE node or power supply inside the fixture. This allows for easier site install with nodes of 2 or more outputs.
- Consult node manufacturer for maximum remote wiring distances.
- Fixture features 18 Gauge wiring.
- Wiring connections are made on the fixture using customer supplied connectors, ex. wire nuts, push-in connectors, or terminal blocks.
- Confirm node compatibility with factory if it is not listed.
- Customers are responsible for ensuring POE node drive current is set to correct values shown below.
- Customers must ensure voltage range of the proposed POE node encompasses the fixtures complete Vf range, both maximum and minimum. If assistance is required contact LLC rep or factory.

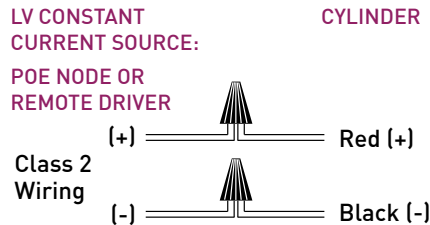
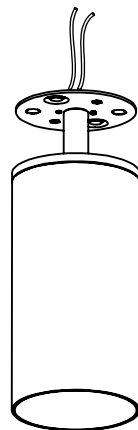
NODE COMPATIBILITY

Manufacturer	Model Number
 Igor Enabling Smart Buildings™	NP50-60-C-F-5
 molex	180996-1001 180996-1002 180996-2001 180996-2002
 PLATFORMATICS	1 Channel Node, POE-LN2-1U-E 2 Channel Node, POE-LN2-2U-E 4 Channel Node, POE-LN2-4U-E

DRIVE CURRENT SPECIFICS

	80S			90S			97S			90W	
	11A	17A	28B	11A	17A	28B	11A	17A	28B	18AL	18AD
Minimum Vf	30.5	30.5	30.5	30.5	30.5	30.5	30.5	30.5	30.5	30.5	30.5
Maximum Vf	39	39	39	39	39	39	39	39	39	39	39
Current mA	250	400	650	250	400	650	250	400	650	400	400
Wattage W	11	17	28	11	17	28	11	17	28	18	18

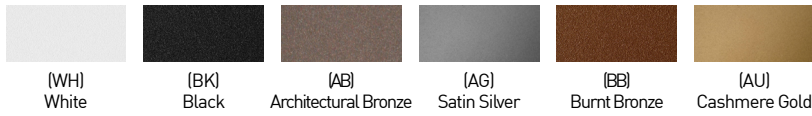
WIRING DIAGRAM



MONOPOINT LVS CM2 SURFACE MOUNT

FINISHES

POWDERCOAT FINISHES



ALUMINA FINISHES BY LUCIFER LIGHTING™



ACCESSORIES

REPLACEMENT MEDIA

HCL-CT2 Honeycomb Louver*
*(Not available for Warm Dim)

CGL-CT2 Clear Glass Lens*
*(Not available for Warm Dim)

SFL-CT2 Soft Focus Lens

FGL-CT2 Frosted Glass Lens

FSFL-CT2 Frosted Soft Focus Lens

FLSL-CT2 Frosted Linear Spread Lens

SECOND MEDIA GASKET

Replaces standard gasket when installing second media. Not required if two media are specified with fixture.

2EDG-CT2 Two Media Gasket

REPLACEMENT OPTICS

Interchangeable optics accessible by removing baffle.

Static White

- RO-70-15-S** 15° optic
- RO-70-20-S** 20° optic
- RO-70-25-S** 25° optic
- RO-70-40-S** 40° optic
- RO-70-60-S** 60° optic

Warm Dim

- RO-70-20-W** 20° optic
- RO-70-25-W** 25° optic
- RO-70-40-W** 40° optic
- RO-70-60-W** 60° optic

MONOPOINT LVS CM2 SURFACE MOUNT

PERFORMANCE - 3000K

LUMEN PACKAGE	WATTAGE	10° OPTIC NO SOFT FOCUS LENS		15° OPTIC SOFT FOCUS LENS		20° OPTIC SOFT FOCUS LENS		25° OPTIC SOFT FOCUS LENS		40° OPTIC SOFT FOCUS LENS		60° OPTIC SOFT FOCUS LENS	
		DELIVERED	LPW	DELIVERED	LPW	DELIVERED	LPW	DELIVERED	LPW	DELIVERED	LPW	DELIVERED	LPW
		80S11A	11	1022	93	1143	104	1216	111	1202	109	1124	102
80S17A	17	1382	81	1750	103	1843	108	1823	107	1690	99	1440	85
80S28B	28	-	-	2571	92	2756	98	2694	96	2529	90	2072	74
90S11A	11	881	80	982	89	1045	95	1033	94	966	88	815	74
90S17A	17	1191	70	1503	88	1583	91	1566	92	1452	85	1237	73
90S28B	28	-	-	2209	79	2368	85	2314	83	2193	78	1780	64
97S11A	11	760	69	862	78	918	83	907	82	848	77	716	65
97S17A	17	1028	60	1320	78	1390	82	1375	81	1275	75	1086	64
97S28B	28	-	-	1939	69	2079	74	2032	73	1908	68	1563	56
90W18AL (2700K-1800K)	18	-	-	-	-	1140	63	1128	63	1044	58	915	51
90W18AD (3000K-1800K)	18	-	-	-	-	1128	63	1126	63	1063	59	926	51

MEDIA LIGHT LOSS MULTIPLIER

MEDIA	LIGHT LOSS FACTOR
No Lens	1.05
CGL	0.97
SFL	1.00
FGL	0.85
FSFL	0.82
FLSL	0.78
HCL	0.75
SFL W/ HCL	0.68
FGL W/ HCL	0.47

OUTPUT MULTIPLIER

CCT	CCT SCALE
2400K	0.85
2700K	0.97
3000K	1.000
3500K	1.03
4000K	1.08

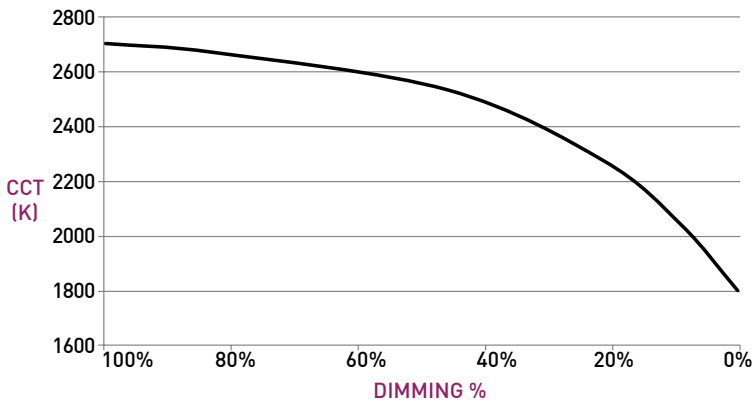
UNIFIED GLARE RATING

10° OPTIC NO LENS	15° OPTIC SOFT FOCUS LENS	20° OPTIC SOFT FOCUS LENS	25° OPTIC SOFT FOCUS LENS	40° OPTIC SOFT FOCUS LENS	60° OPTIC SOFT FOCUS LENS
>19	<13	<10	<10	<10	<16

WARM DIM PERFORMANCE - SOFT FOCUS LENS - 20° OPTIC

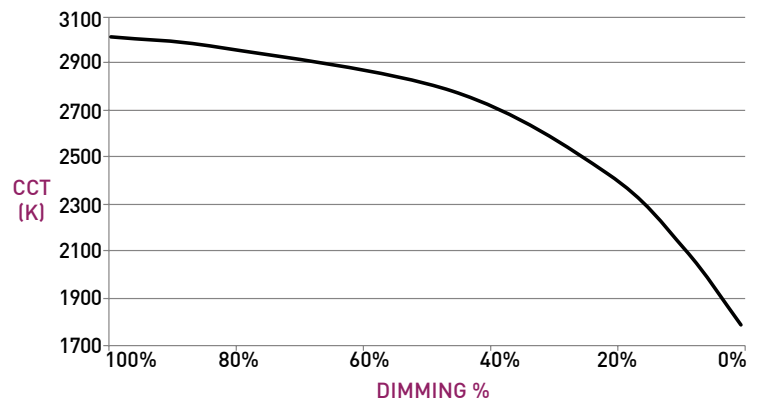
INCANDESCENT DIMMING PROFILE

90W18AL 2700K - 1800K	Full on 100%	Dimmed to 80%	Dimmed to 70%	Dimmed to 50%	Dimmed to 20%	Dimmed to 10%	Dimmed to 2%
CCT (K)	2700	2650	2620	2520	2180	1950	1800
Light Output (Lm)	1128	902	790	564	226	113	23
Power (W)	18	14.4	12.6	9	3.6	1.8	0.36
Efficacy (LPW)	63	63	63	63	63	63	63



HALOGEN WARM DIM PROFILE

90W18AD 3000K - 1800K	Full on 100%	Dimmed to 80%	Dimmed to 70%	Dimmed to 50%	Dimmed to 20%	Dimmed to 10%	Dimmed to 2%
CCT (K)	3000	2950	2920	2775	2375	2000	1800
Light Output (Lm)	1140	912	798	570	228	114	23
Power (W)	18	14.4	12.6	9	3.6	1.8	0.36
Efficacy (LPW)	62	62	62	62	62	62	62



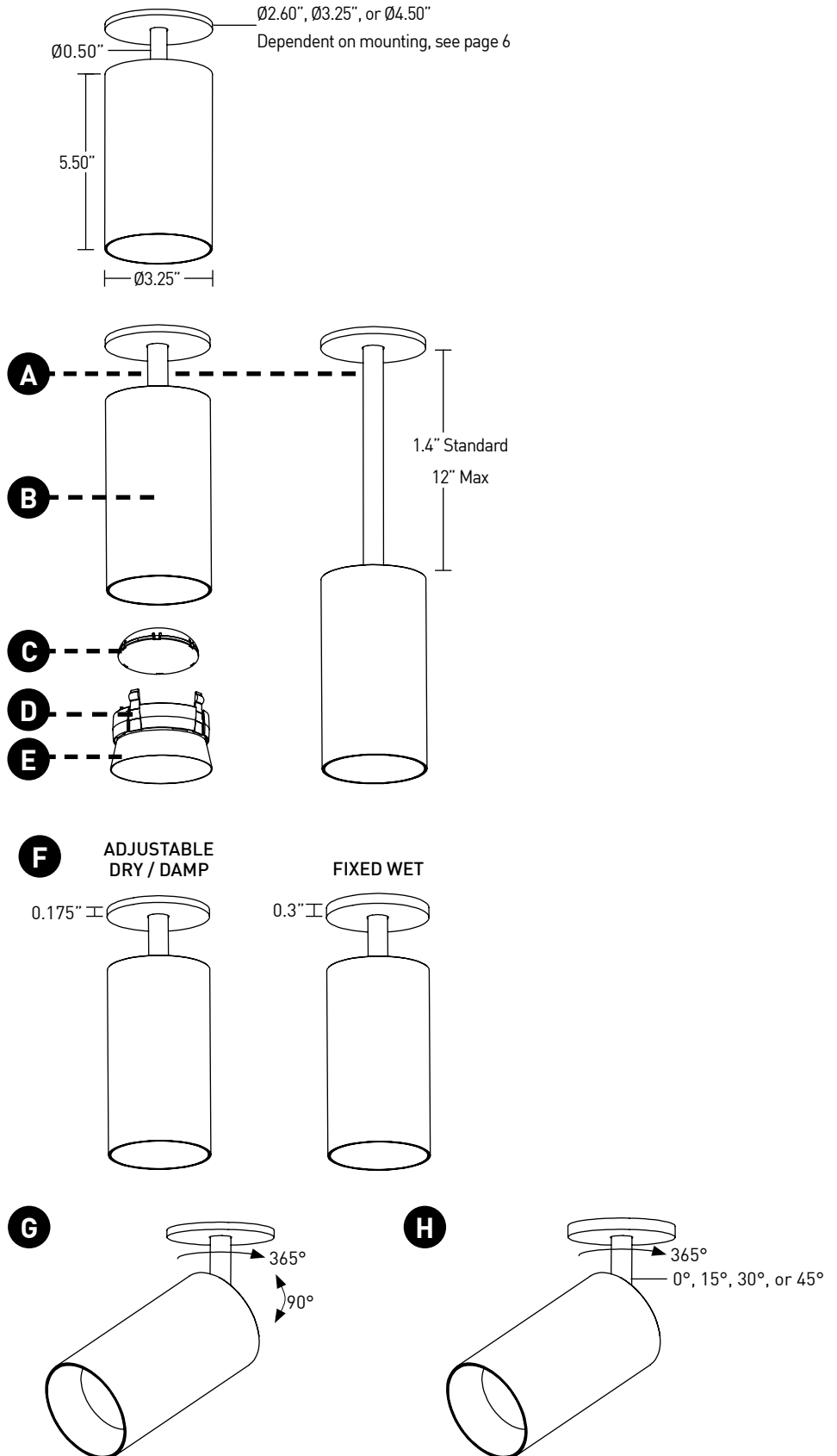
MONOPOINT LVS CM2 SURFACE MOUNT

MONOPOINT

- A STEM**
Standard length is 1.4", available in even-inch increments between 2"-12". Stem is not field cuttable. Powdercoat finishes standard, consult factory for Alumina finishes.
- B BODY**
Available in powdercoat and Alumina finishes. Power supply must be remote.
- OPTICS**
- C** Robust light engine with optimized optic pairing integrates Reflection, Refraction, and TIR offering 10°, 15°, 20°, 25°, 40° & 60° beams.
- D MEDIA**
Accepts 2 media; Soft Focus Lens standard. Wet location media sealed in place.
- E BAFFLE**
Baffle minimizes aperture glare and conceals view into fixture. Powdercoat finishes standard, consult factory for Alumina finishes.
- F CANOPY**
Adjustable Dry/Damp fixture features 0.175" and Fixed Wet fixture features 0.3" tall canopy.
- G ADJUSTABLE FIXTURE**
Features 90° tilt and 365° rotation. Only available for Dry / Damp locations.
- H FIXED FIXTURE**
Available with pre-set tilts of 0°, 15°, 30°, or 45°, and features 365° rotation. Wet rated, may be used in Dry / Damp locations.

IMPORTANT: FIXED FIXTURE TILT CANNOT BE ADJUSTED OR CHANGED IN THE FIELD, FIXTURES MUST BE RETURNED TO FACTORY FOR TILT CHANGES AT ADDITIONAL COST.

DIMENSIONS / DRAWINGS



MONOPOINT LVS CM2 SURFACE MOUNT

MOUNTING

I JUNCTION BOX MOUNTING PLATE
Mounting plate (concealed) for standard 4" square or 4" 4/0 j-box. To be installed during rough-in prior to substrate. Features minimalist 3.25" diameter canopy.

Part Number - CM-JBMP.

J ZERO-SIGHTLINE
Provided with mud-in appliqué that mounts to standard 4" 4/0 junction box. Allows fixture canopy to be recessed into ceiling for a flush or zero-sightline aesthetic. Standard plaster stop thickness of 1/16". Not recommended for stucco applications.

Dry / Damp Part Number - DLA-APP-CM

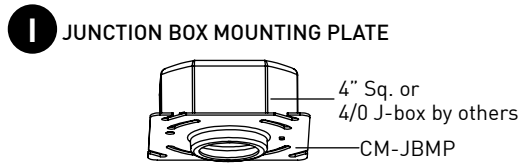
Wet Part Number - DLA-APP-CM-2

K CEILING MOUNT JUNCTION BOX
Ceiling mount junction box perfectly matches canopy profile for a continuous, integrated look where exposed ceiling mount junction box and conduit applications apply. For use with 1/2" and 3/4" EMT conduit only. Features two conduit entrances on either side and one conduit knockout on top of j-box. J-box is IP10 rated (Dry / Damp); powdercoat finishes only. Blank off plugs included.

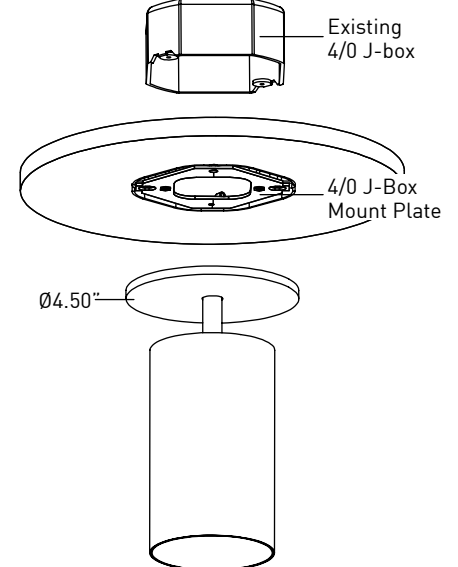
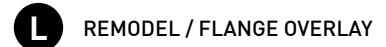
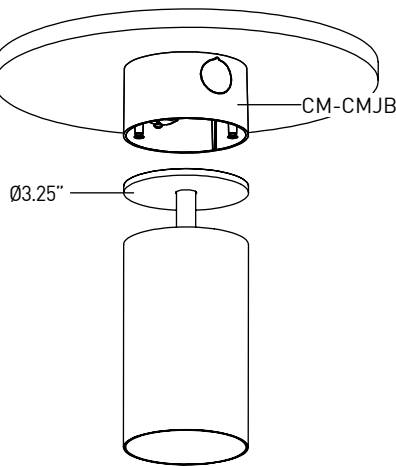
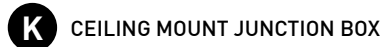
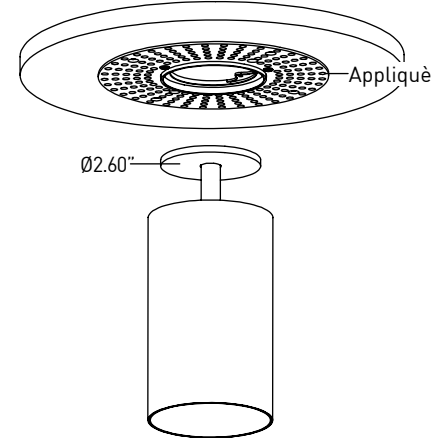
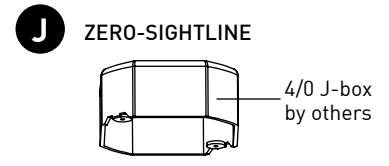
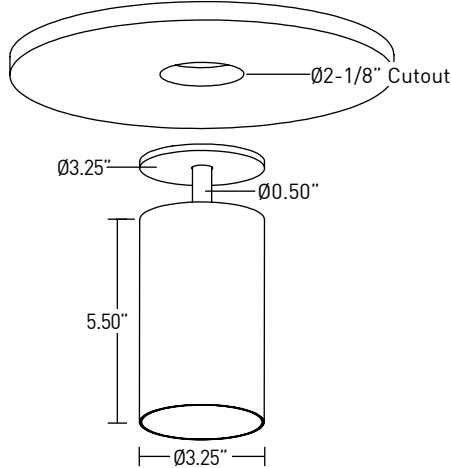
Part number - CM-CMJB-(Finish).

L REMODEL / FLANGE OVERLAY
Provided with oversized canopy and mounting plate for standard 4" 4/0 junction boxes. Ideal for existing applications and features oversized 4.5" canopy to cover standard 4" octagon box cutout.

DIMENSIONS / DRAWINGS



INSTALL JBMP BEFORE CEILING



MONOPOINT LVS CM2 SURFACE MOUNT

TECHNICAL

CONSTRUCTION

Monopoint: Machined aluminum body; painted finishes are granulated powder coat; Alumina finishes are anodized aluminum.

Appliqué: Machined Aluminum

STATIC WHITE LED

2-step MacAdam ellipse LED module available in 80+, 90+ and 97+ CRI configurations in color temperatures of 2700K, 3000K, 3500K and 4000K.

3-step MacAdam ellipse LED module available in 90+ CRI configurations in color temperature of 2400K. Average rated lamp life of 50,000 hours.

WARM DIM LED

3-step MacAdam ellipse warm dim LED module available in 90+ CRI configuration. 3000K or 2700K at full brightness, warming to 1800K at full dim. Average rated lamp life of 50,000 hours.

LISTING

UL listed to UL2108 standard for Dry / Damp and IP65 Wet locations.

DECLARE

LBC Red List Approved.

BUY AMERICA ACT

All CM2 Adjustable and Fixed fixtures are BAA compliant.

LIMITED WARRANTY

Manufacturer's Limited Warranty guarantees product(s) listed to be free from defects in material and workmanship under normal use and service for 1-year. LED and power supplies are warranted to operate with 70% of original flux and remain within a range of 3 duv for a period of 5-years.

10-year Lutron Advantage limited warranty available on Lutron equipped systems. Warranty period begins from the date of shipment by Seller.

[Consult website for full warranty terms and conditions.](#)

CHANGE LOG

1. 04/27/2023: ADDED AU AND BB FINISHES OPTIONS FOR BODY AND STEM.

2. 04/27/2023: ADDED DECLARE LBC RED LIST APPROVED.

3. 08/07/2023: ADDED NEW LED AND OPTIC OFFERINGS.

REMOVED 2400K OFFERING.

4. 01/17/2024: ADDED WET RATED FIXED FIXTURE, 2400K, AND INTEGRAL WARM DIM OFFERINGS.