

2 SERIES LVS

WALLWASH

PROJECT NAME:	TYPE:
---------------	-------



High-output, low profile, and infinite adjustment -- these small aperture downlights make elegant design statements in discerning residential, retail, and hospitality environments.

ORDERING INFORMATION

Quick Ship Product. All rough in components ship within 10 days up to quantities of 100.

TRIM	RATING	FLANGE FINISH	CRI / WATTAGE PACKAGE	CCT	OPTIC	INSTALL TYPE	CEILING THICKNESS	POWER SUPPLY	MEDIA	FLANGE CONFIGURATION
					WW			LVS	WL	
2RW Round Expanded Wallwash 2SW Square Expanded Wallwash	1 Dry/Damp 2 Wet* <i>*(Lens sealed in place)</i>	WH White AG Satin Silver IG Industrial Gray AU Cashmere Gold AB Arch Bronze BB Burnt Bronze BK Black SS Stainless Steel* <i>*(Increased lead time)</i> CH Chrome* <i>*(Increased lead time)</i> MB Matte Bronze* <i>*(Increased lead time)</i> PB Polished Bronze* <i>*(Increased lead time)</i> PR Primer CF Custom* <i>*(Consult Factory)</i>	<p> LOW FLUX STATIC WHITE 3.73" TALL HOUSING 80S06A 80+ CRI, 6 Watts [Delivered - 2RW 415, 2SW 351] 80S11A 80+ CRI, 11 Watts [Delivered - 2RW 680, 2SW 554] 80S15A 80+ CRI, 15 Watts [Delivered - 2RW 926, 2SW 770] 90S06A 90+ CRI, 6 Watts [Delivered - 2RW 358, 2SW 303] 90S11A 90+ CRI, 11 Watts [Delivered - 2RW 586, 2SW 478] 90S15A 90+ CRI, 15 Watts [Delivered - 2RW 798, 2SW 664] 97S06A 97+ CRI, 6 Watts [Delivered - 2RW 315, 2SW 267] 97S11A 97+ CRI, 11 Watts [Delivered - 2RW 516, 2SW 421] 97S15A 97+ CRI, 15 Watts [Delivered - 2RW 702, 2SW 584]</p> <p> HIGH FLUX STATIC WHITE 6.5" TALL HOUSING 80S21A 80+ CRI, 21 Watts [Delivered - 2RW 1245, 2SW 1029] 90S21A 90+ CRI, 21 Watts [Delivered - 2RW 1073, 2SW 887] 97S21A 97+ CRI, 21 Watts [Delivered - 2RW 944, 2SW 781]</p> <p> WARM DIM 6.5" TALL HOUSING 90W11A 90+ CRI, 11 Watts Incandescent Profile: 2700K - 1800K [Delivered - 2RW 408, 2SW 355] Halogen Profile: 3000K - 1800K [Delivered - 2RW 412, 2SW 354] 90W15A 90+ CRI, 15 Watts Incandescent Profile: 2700K - 1800K [Delivered - 2RW 571, 2SW 496] Halogen Profile: 3000K - 1800K [Delivered - 2RW 578, 2SW 497] *SEE PAGE 4 FOR DETAILED WARM DIM PROFILE COMPARISON.</p> <p> TUNABLE WHITE 6.5" TALL HOUSING 90T17A 90+ CRI, 17 Watts Warm Profile [Delivered - 2RW 700, 2SW 610] Cool Profile [Delivered - 2RW 694, 2SW 605] *ALL DELIVERED LUMEN OUTPUTS REFLECT 3000K.</p>	24 2400K* <i>*(90+ CRI only)</i> 27 2700K 30 3000K 35 3500K 40 4000K	WW Wallwash Optic	Housing (HR) NRNIC, Remote IR IC, Remote AR IC, Airtight* <i>*(CCEA and Airtight compliant housing)</i> Remodel RR Remote-Remodel	0 0.125" - 0.49"* <i>*(IRR Install Types only)</i> 1 0.50" - 0.75" 2 0.76" - 1.25"	LVS Low Voltage System	WL Wallwash Lens	F Flange Overlay (No Applique) G Zero Sightline Gypsum (1/16" Applique)* <i>*(Not available for wet location)</i> P Zero Sightline Plaster (1/8" Applique)* <i>*(Not available for wet location)</i>

PART NUMBER NOTES

- Trims ships as e.g. 2RW1-WH-80S15A2-WHR1-LVSWL
- Housing ships as e.g. NCL-2RF-1-LED-01-LVS
- Appliqué ships with housing

2 SERIES LVS WALLWASH

ACCESSORIES

ROUTER TOOL GUIDE (Dry / Damp locations only)
Recommended for Zero-Sightline installations in wood ceilings.

- DLA-RTG-2S-RD** Tool, [router guide](#), round; reusable
- DLA-RTG-2S-SQ** Tool, [router guide](#), square; reusable

REPLACEMENT OPTIC

Interchangeable optics accessible through fixture aperture.

- RO-50-WW-S** Wall Grazer Optic, Static White
- RO-50-WW-W** Wall Grazer Optic, Warm Dim

HANGER BAR EXTENDER KIT

Extends hanger bars from 24.0" to 46.0" maximum.

- 2S-HBE-46** Extender, Hanger Bar

FURRING CHANNEL ACCESSORY KIT

Recommended for installations in furring channel. Available for ceiling thicknesses from 0.125" - 1.25".

- DHA-FC-KIT**

FINISHES BY LUCIFER LIGHTING™






2 SERIES LVS WALLWASH

APPLICATION NOTES

- Lucifer Lighting will not supply a fixture with a POE node or power supply inside the fixture. This allows for easier site install with nodes of 2 or more outputs.
- Consult node manufacturer for maximum remote wiring distances.
- Housing and Fixture feature 18 Gauge wiring.
- Wiring connections are made in the splicing compartment or on the fixture using customer supplied connectors, ex. wire nuts, push-in connectors, or terminal blocks.
- Confirm node compatibility with factory if it is not listed.
- Customers are responsible for ensuring POE node drive current is set to correct values shown below.
- Customers must ensure voltage range of the proposed POE node encompasses the fixtures complete Vf range, both maximum and minimum. If assistance is required contact LLC rep or factory.

NODE COMPATIBILITY

Manufacturer	Model Number
 Igor® Enabling Smart Buildings™	NP50-60-C-F-5
 molex	180996-1001 180996-1002 180996-2001 180996-2002
 PLATFORMATICS	1 Channel Node, POE-LN2-1U-E 2 Channel Node, POE-LN2-2U-E 4 Channel Node, POE-LN2-4U-E

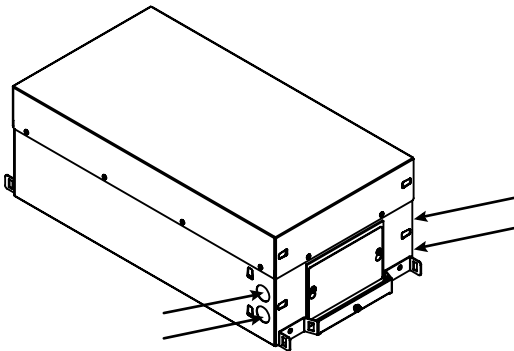
DRIVE CURRENT SPECIFICS

	80S				90S				97S				90W				90T		
	06A	11A	15A	21A	06A	11A	15A	21A	06A	11A	15A	21A	11AD	11AL	15AD	15AL	17AH	17AR	
Minimum Vf	30.5	30.5	30.5	30.5	30.5	30.5	30.5	30.5	30.5	30.5	30.5	30.5	30.5	30.5	30.5	30.5	30.5	30.5	30.5
Maximum Vf	36.2	36.2	36.2	36.2	36.2	36.2	36.2	36.2	36.2	36.2	36.2	36.2	37.6	37.6	37.6	37.6	37.6	37.6	37.6
Current mA	150	250	350	500	150	250	350	500	150	250	350	500	250	250	350	350	400	400	400
Wattage W	6	11	15	21	6	11	15	21	6	11	15	21	8	8	15	15	14	14	14

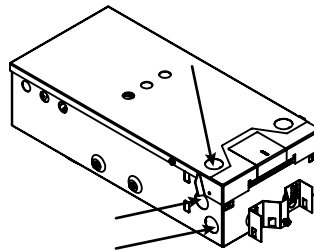
	10 DEGREE OPTIC		
	80S15C	90S15C	97S15C
Minimum Vf	30.5	30.5	30.5
Maximum Vf	36.2	36.2	36.2
Current mA	350	350	350
Wattage W	15	15	15

WIRING DIAGRAM AND HOUSING ENTRY/ EXIT POINTS

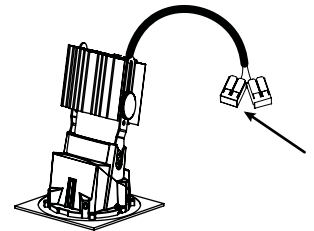
ICH/NCH/WARM DIM HOUSING



ICL/NCL HOUSING

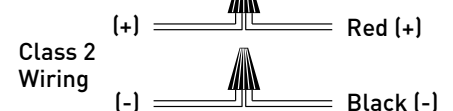


REMODEL



LV CONSTANT
CURRENT SOURCE:
POE NODE OR
REMOTE DRIVER

HOUSING OR
REMODEL
FIXTURE



2 SERIES LVS WALLWASH

WALLWASH DESIGN GUIDE

ROUND



RECOMMENDED

30" SETBACK / 30" ON CENTER SPACING

- AVERAGE FC: 15.46
- MIN / MAX: 2.94
- 10FT CEILING SHOWN / 8-12FT IDEAL
- 10 FIXTURES / 25FT WALL SHOWN

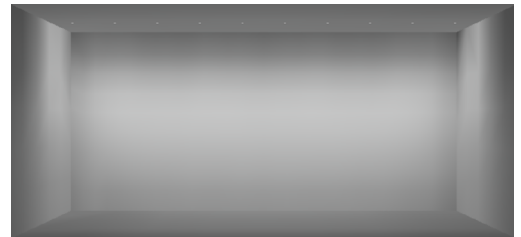
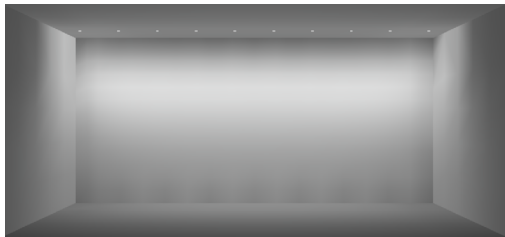
36" SETBACK / 36" ON CENTER SPACING

- AVERAGE FC: 11.73
- MIN / MAX: 3.11
- 10FT CEILING SHOWN / 8-12FT IDEAL
- 10 FIXTURES / 30FT WALL SHOWN

42" SETBACK / 42" SPACING ON CENTER

- AVERAGE FC: 9.22
- MIN / MAX: 3.77
- 10FT CEILING SHOWN / 8-12FT IDEAL
- 10 FIXTURES / 35FT WALL SHOWN

SQUARE



RECOMMENDED

30" SETBACK / 30" ON CENTER SPACING

- AVERAGE FC: 16.00
- MIN / MAX: 4.62
- 10FT CEILING SHOWN / 8-12FT IDEAL
- 10 FIXTURES / 25FT WALL SHOWN

36" SETBACK / 36" ON CENTER SPACING

- AVERAGE FC: 12.47
- MIN / MAX: 2.98
- 10FT CEILING SHOWN / 8-12FT IDEAL
- 10 FIXTURES / 30FT WALL SHOWN

42" SETBACK / 42" SPACING ON CENTER

- AVERAGE FC: 9.99
- MIN / MAX: 2.96
- 10FT CEILING SHOWN / 8-12FT IDEAL
- 10 FIXTURES / 35FT WALL SHOWN

ADDITIONAL SPACINGS AND SETBACKS

ROUND			
ON CENTER SPACING	SETBACK		
	30"	36"	42"
30"	SHOWN ABOVE	AVERAGE FC: 14.02 MIN / MAX: 3.34	AVERAGE FC: 12.56 MIN / MAX: 3.85
36"	AVERAGE FC: 12.90 MIN / MAX: 2.63	SHOWN ABOVE	AVERAGE FC: 10.58 MIN / MAX: 3.47
42"	AVERAGE FC: 11.16 MIN / MAX: 2.88	AVERAGE FC: 10.18 MIN / MAX: 3.27	SHOWN ABOVE

SQUARE			
ON CENTER SPACING	SETBACK		
	30"	36"	42"
30"	SHOWN ABOVE	AVERAGE FC: 14.82 MIN / MAX: 3.38	AVERAGE FC: 16.38 MIN / MAX: 3.14
36"	AVERAGE FC: 13.40 MIN / MAX: 4.09	SHOWN ABOVE	AVERAGE FC: 11.52 MIN / MAX: 2.86
42"	AVERAGE FC: 11.51 MIN / MAX: 4.36	AVERAGE FC: 10.73 MIN / MAX: 3.16	SHOWN ABOVE

***ALL DATA REFLECTS 90S15A WATTAGE PACKAGE**

2 SERIES LVS WALLWASH

STATIC WHITE PERFORMANCE - 3000K

CRI / WATTAGE PACKAGE	WATTAGE	WALLWASH			
		2RW		2SW	
		DELIVERED	LPW	DELIVERED	LPW
80S06A	6	415	69	351	59
80S11A	11	680	56	554	49
80S15A	15	926	62	770	51
80S21A	21	1245	59	1029	49
90S06A	6	358	62	303	53
90S11A	11	586	53	478	43
90S15A	15	798	53	664	44
90S21A	21	1073	51	887	42
97S06A	6	315	53	267	44
97S11A	11	516	47	421	38
97S15A	15	702	47	584	39
97S21A	21	944	45	781	37
90W11A (WL 27K-18K)	11	408	42	355	37
90W11A (WD 30K-18K)	11	412	43	354	37
90W15A (WL 27K-18K)	15	571	38	496	33
90W15A (WD 30K-18K)	15	578	38	497	33
90W17A (TR 40K-18K)	17	700	42	610	36
90W17A (TH 50K-27K)	17	694	41	605	36

OUTPUT MULTIPLIER

CCT	CCT SCALE
2400K	0.76
2700K	0.97
3000K	1.000
3500K	1.03
4000K	1.08

TUNABLE WHITE MULTIPLIER

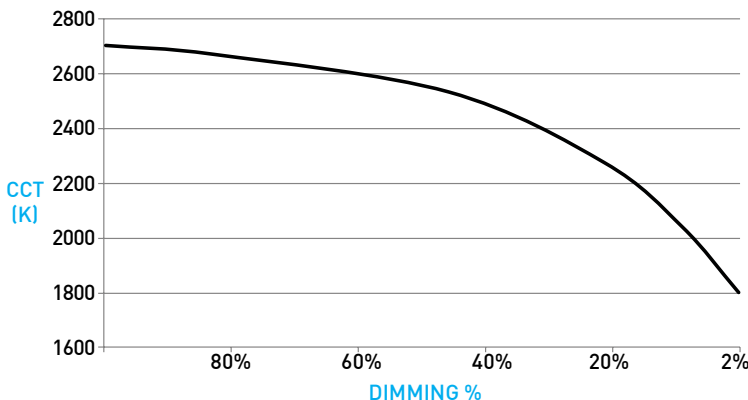
CCT	5000K-2700K	4000K-1800K
5000K	1.16	-
4000K	1.08	1.14
3500K	1.04	1.07
3000K	1.00	1.00
2700K	0.96	0.92
2400K	-	0.84
1800K	-	0.69

WARM DIM PERFORMANCE

INCANDESCENT PROFILE

90W11AL 2700K - 1800K	Full on 100%	Dimmed to 80%	Dimmed to 70%	Dimmed to 50%	Dimmed to 20%	Dimmed to 10%	Dimmed to 2%
CCT (K)	2700	2650	2625	2550	2200	1900	1800
Light Output (Lm)	408	326	286	204	82	41	8
Power (W)	11	9	8	6	2.2	1.1	.2
Efficacy (LPW)	37	37	37	37	37	37	37

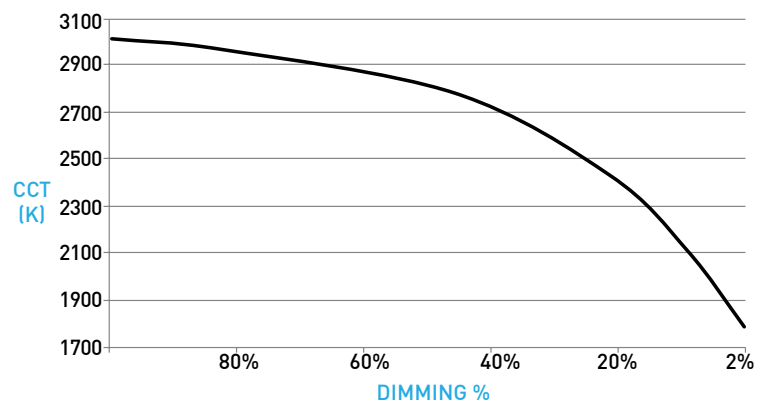
90W15AL 2700K - 1800K	Full on 100%	Dimmed to 80%	Dimmed to 70%	Dimmed to 50%	Dimmed to 20%	Dimmed to 10%	Dimmed to 2%
CCT (K)	2700	2650	2625	2550	2200	1900	1800
Light Output (Lm)	571	457	400	286	114	57	11.4
Power (W)	14	11	10	7	3	1.5	0.3
Efficacy (LPW)	38	38	38	38	38	38	38



HALOGEN PROFILE

90W11AD 3000K - 1800K	Full on 100%	Dimmed to 80%	Dimmed to 70%	Dimmed to 50%	Dimmed to 20%	Dimmed to 10%	Dimmed to 2%
CCT (K)	3000	2950	2920	2775	2375	2000	1800
Light Output (Lm)	412	330	288	206	82	41	8
Power (W)	11	9	8	6	2.2	1.1	.2
Efficacy (LPW)	37	37	37	37	37	37	37

90W15AD 3000K - 1800K	Full on 100%	Dimmed to 80%	Dimmed to 70%	Dimmed to 50%	Dimmed to 20%	Dimmed to 10%	Dimmed to 2%
CCT (K)	3000	2950	2920	2775	2375	2000	1800
Light Output (Lm)	578	462	405	289	116	58	12
Power (W)	14	11	10	7	3	1.5	0.3
Efficacy (LPW)	38	38	38	38	38	38	38



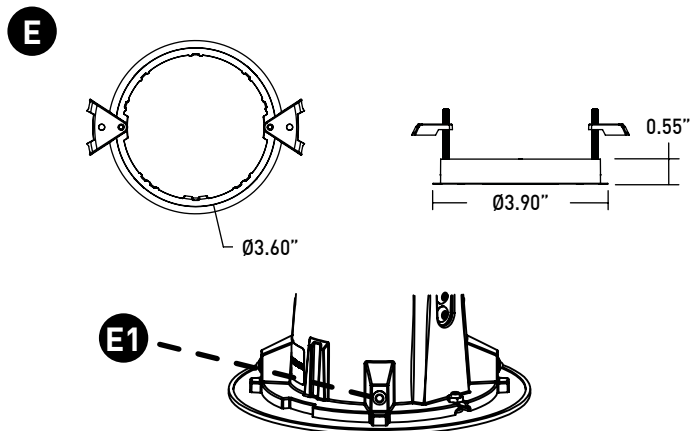
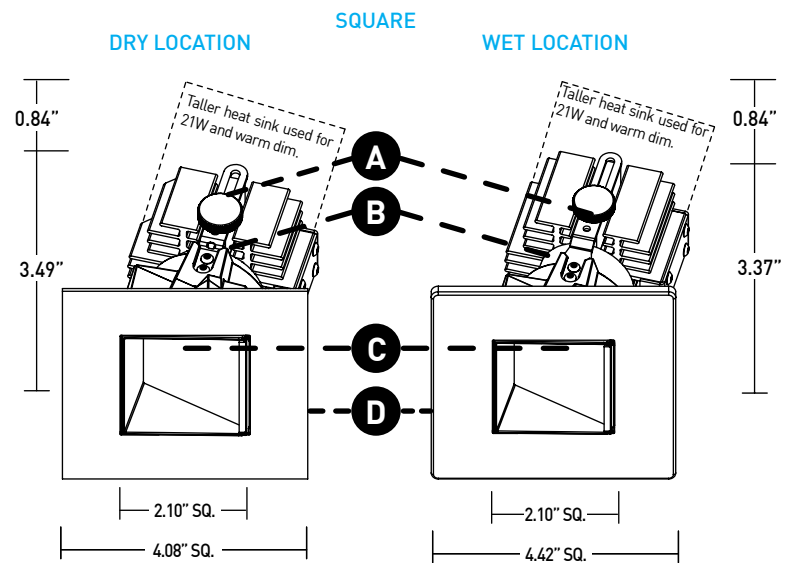
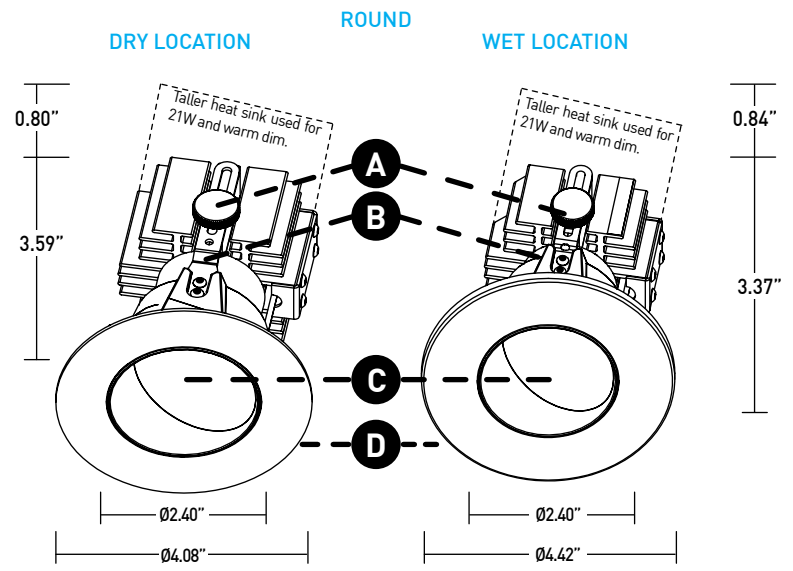
2 SERIES LVS WALLWASH

DOWNLIGHT

Die-cast baffle and precision kick reflector provide dynamic wallwashing and minimal aperture glare.

- A** **ADJUSTABLE YOKE**
Adjustable yoke allows for quick access to optic and media.
- B** **OPTICS**
Robust light engine with optimized optic pairing integrates Reflection, Refraction, and TIR offering a 40° wallwashing beam.
- C** **MEDIA**
Wallwash lens included and sealed in place on wet location fixtures
- D** **TRIM PLATE**
 - Dry / Damp Location: Thickness measures 0.065" (1.7mm)
 - Wet Location: Sealed aperture and integral silicone gasket. 0.17" (4.3mm) return, installed as flange overlay only.
- E** **DOWNLIGHT TRIM ADAPTER**
Included with fixture and required for installation. Provides required alignment with trim, ensuring fixture aim integrity is maintained Uses (2) #6-32 flat-head screws with varying lengths to accommodate ceiling depth. Installed after ceiling is complete.
- E1** **RETENTION**
Engineered integral ball plungers correspond to trim adapter ensuring snug fit against finished ceiling.

DIMENSIONS / DRAWINGS



2 SERIES LVS WALLWASH

HOUSING

- F** **LOW FLUX NO INSULATION CONTACT (NON-IC) HOUSING (NCL)**
- Included with NR Low Flux wattage packages.
 - Minimum 0.50" setback from combustible and non-combustible materials on all sides and top of housing.
 - Minimum 3.00" setback from insulation material having max R-Value 30 on all sides and top of housing.
 - Minimum 6.00" setback from polycell spray foam insulation having max R-Value 60.
- LOW FLUX INSULATION CONTACT (IC) HOUSING (ICL)**
- Included with IR and AR LOW Flux wattage packages.
 - No setback from polycell spray foam insulation having max R-Value of 60 on all sides and top of housing.
- G** **HIGH FLUX IC / NON-IC / WARM DIM HOUSING (ICH/NCH)**
- Included with all HIGH Flux and Warm Dim wattage packages.
 - No setback from polycell spray foam insulation having max R-Value of 60 on all sides and top of IC housing.

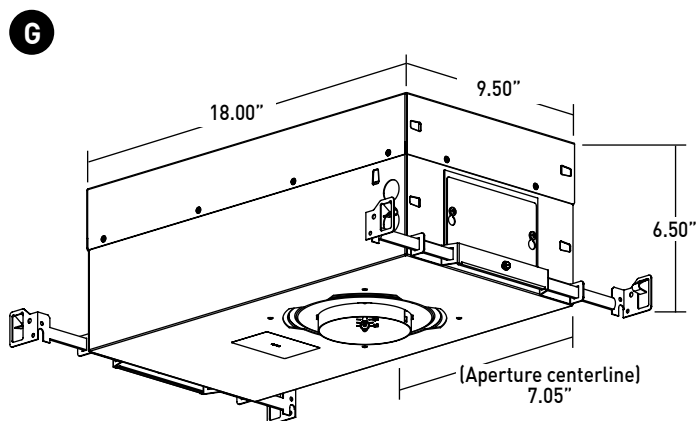
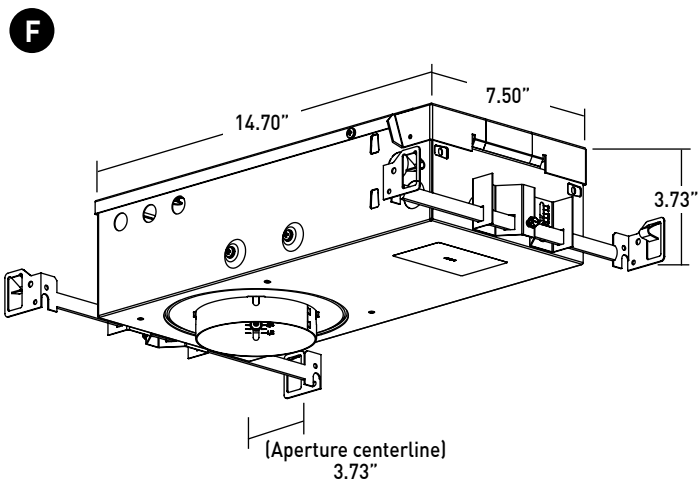
HOUSING MOUNTING NOTES

- AR install type is required for CCEA, Airtight and Title 24 (JA8) applications.
- Do not install in environments where ambient temperatures exceed 40°C (104°F).
- Splice connections may be serviced from room side.
- Consult factory for spacing requirements for any installations exceeding R-Value 60.
- Hanger bars fitted to short and long side of low flux housing, and short side only of High Flux Housing; extend from 14.0" to 24.0", but may be field cut to accommodate narrow stud spacing. Can be extended up to 46" maximum with 2S-HBE-46 kit.
- Hanger bars and brackets add 4.00" to the overall dimension, but are exclusive of the setback requirements.
- Driver assembly ships with trim, not housing. Housing and trim feature push nuts and lever nuts for ease of installation.

REMODEL NOTES

- Do not install in environments where ambient temperatures exceed 40°C (104°F).
- Splice connections may be serviced from room side.
- Consult factory for spacing requirements for any installations exceeding R-Value 60.

DIMENSIONS / DRAWINGS



2 SERIES LVS WALLWASH

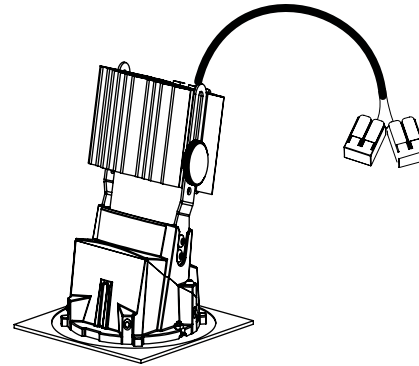
REMODEL

H REMODEL

- Provided with RR install type.
- UL2043 listed for air-handling plenum.
- Installs without conventional housing using integral mounting clamps.
- Requires plenum rated Class 2 cable between fixture and power supply. Cable supplied by others.
- Minimum 2.75" clearance from top of trim.
- Minimum setback from combustible and non-combustible materials of 6.63" radius from fixture centerline.
- Minimum additional 3.00" setback from insulation material with max R-Value 30 from any surface of downlight fixture assembly.
- Minimum additional 6.00" setback from polycell spray foam insulation with max R-Value 60 from any surface of downlight fixture assembly.
- Do not install in environments where ambient temperatures exceed 40°C (104°F).
- All splice connections serviceable from room side.
- Consult factory for spacing requirements for any installations exceeding R-Value 60.

DIMENSIONS / DRAWINGS

H



ZERO-SIGHTLINE INSTALLATIONS

Fixture regresses flush with the finished ceiling plane when installed according to manufacturer instructions and finished ceiling conditions are met. Consult 2-Series Installation Guidelines for appropriate ceiling cutouts and instructions for proper Zero-Sightline installations.

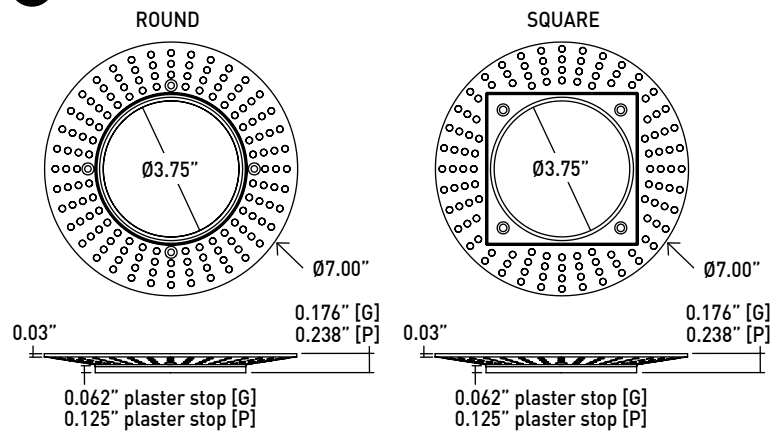
I APPLIQUÉ

- Specified on Flange Configuration and ships with housing; ships separately on remodel installations.
- For use in sheetrock ceiling applications.
 - 1/16" Appliqué (G Flange Configuration) recommended for gypsum ceiling installations and has plaster stop thickness of 1/16". Recommended for painted ceiling applications.
 - 1/8" Appliqué (P Flange Configuration) offers double thick plaster stop of 1/8" where a heavier application of mud is preferred. Recommended for colorfast and venetian plaster applications.
- Not recommended for stucco applications.

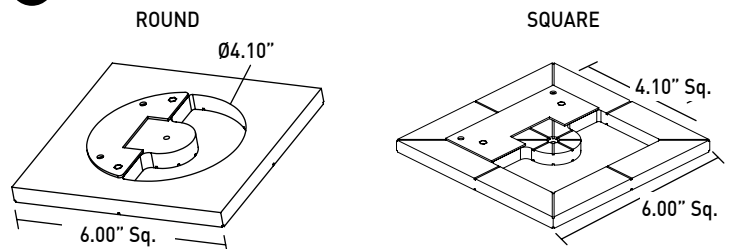
J ROUTER TOOL GUIDE

- Specified separately and used with Flange Overlay configurations.
- For use in wood ceiling applications.
- **DLA-RTG-2S-RD** or **DLA-RTG-2S-SQ** required for wood Zero-Sightline ceiling installations.
- Router tool guide is reusable and suitable for multiple fixtures.

I



J



2 SERIES LVS WALLWASH

TECHNICAL INFORMATION

CONSTRUCTION

Downlight: Steel and aluminum; extruded aluminum heat-sink; painted finishes are granulated powder coat. 304 corrosion resistant stainless steel faceplate for wet location fixtures.

Trim Adapter: High-impact composite and stainless steel.

Housing: 22 Gauge galvanized steel.

Appliqué: Zinc alloy.

STATIC WHITE LED

2-step MacAdam ellipse LED module available in 80+, 90+ and 97+ CRI configurations in color temperatures of 2700K, 3000K, 3500K and 4000K. 3-step MacAdam ellipse LED module available in 90+ CRI configuration in color temperatures of 2400K. Average rated lamp life of 50,000 hours. LED and driver assemblies are field-replaceable.

WARM DIM LED

3-step MacAdam ellipse warm dim LED module available in 90+ CRI configuration. 3000K or 2700K at full brightness, warming to 1800K at full dim. Average rated lamp life of 50,000 hours. LED and driver assemblies are field-replaceable.

TUNABLE WHITE LED

3-step MacAdam ellipse tunable white LED module available in 90+ CRI configuration. Features tuning range of 2700K to 5000K and 1800K to 4000K. Average rated lamp life of 50,000 hours. Driver assemblies are field-replaceable.

SPACING

Recommended fixture spacing is 36" on center with 36" setback from wall plane.

LISTING

cTUVus listed to UL1598 standard for Dry / Damp and Wet locations. CCEA, Airtight and Title 24 JA8-2022 Listed. NEMA 410 Compliant.

DECLARE

LBC Red List Approved.

FIXTURE WEIGHT

Trim - 2 lbs max

Low Flux Housing - 4.2 lbs

High Flux Housing - 7.4 lbs

Remote / Remodel Driver - 1.4 lbs

LIMITED WARRANTY

Manufacturer's Limited Warranty guarantees product(s) listed to be free from defects in material and workmanship under normal use and service for 1-year. LED and power supplies are warranted to operate with 70% of original flux and remain within a range of 3 duv for a period of 5-years. 10-year Lutron Advantage limited warranty available on Lutron equipped systems. Warranty period begins from the date of shipment by Seller.

[Consult website for full warranty terms and conditions.](#)

CHANGE LOG

- 1.01/12/2021: ADDED 2200K, 2700K-1800K WARM DIM AND 10 DEGREE OPTIC OFFERINGS.
- 04/06/2022: REMOVED REMOTE REMODEL ACCESSORY KIT DLA2-RMT-AK.
- 10/17/2022: REMOVED 90WA13H 3200K-1800K WARM DIM AND ADDED 90WA12H 3000K-1800K WARM DIM.
- 08/08/2023: UPDATED WITH NEW LED AND OPTIC SYSTEM.
- 02/07/2024: ADDED 2400K, LOW WATTAGE, AND TUNABLE WHITE OFFERINGS.