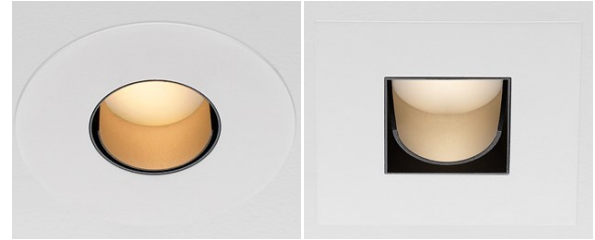


2 SERIES LVS

WALL GRAZER

PROJECT NAME:	TYPE:
---------------	-------



High-output, low profile, and infinite adjustment -- these small aperture downlights make elegant design statements in discerning residential, retail, and hospitality environments.

ORDERING INFORMATION

Quick Ship Product. All rough in components ship within 10 days up to quantities of 100.

TRIM	RATING	FLANGE FINISH	CRI / WATTAGE PACKAGE	CCT	OPTIC	INSTALL TYPE	CEILING THICKNESS	POWER SUPPLY	MEDIA	FLANGE CONFIGURATION
					WG			LVS	GL	
2PG Round Pinhole 2SG Square Expanded	1 Dry/Damp 2 Wet* *(Lens sealed in place)	WH White AG Satin Silver IG Industrial Gray AU Cashmere Gold AB Arch Bronze BB Burnt Bronze BK Black SS Stainless Steel* CH Chrome* MB Matte Bronze* PB Polished Bronze* PR Primer CF Custom* *(Consult Factory)	<p>LOW FLUX STATIC WHITE 3.73" TALL HOUSING</p> <p>80S06A 80+ CRI, 6 Watts [Delivered - 2PG 331, 2SG 389]</p> <p>80S11A 80+ CRI, 11 Watts [Delivered - 2PG 536, 2SG 628]</p> <p>80S15A 80+ CRI, 15 Watts [Delivered - 2PG 724, 2SG 856]</p> <p>90S06A 90+ CRI, 6 Watts [Delivered - 2PG 285, 2SG 335]</p> <p>90S11A 90+ CRI, 11 Watts [Delivered - 2PG 462, 2SG 541]</p> <p>90S15A 90+ CRI, 15 Watts [Delivered - 2PG 624, 2SG 738]</p> <p>97S06A 97+ CRI, 6 Watts [Delivered - 2PG 251, 2SG 295]</p> <p>97S11A 97+ CRI, 11 Watts [Delivered - 2PG 407, 2SG 476]</p> <p>97S15A 97+ CRI, 15 Watts [Delivered - 2PG 549, 2SG 649]</p> <p>HIGH FLUX STATIC WHITE 6.5" TALL HOUSING</p> <p>80S21A 80+ CRI, 21 Watts [Delivered - 2PG 1000, 2SG 1156]</p> <p>90S21A 90+ CRI, 21 Watts [Delivered - 2PG 862, 2SG 997]</p> <p>97S21A 97+ CRI, 21 Watts [Delivered - 2PG 758, 2SG 877]</p> <p>WARM DIM 6.5" TALL HOUSING</p> <p>90W11A 90+ CRI, 11 Watts Incandescent Profile: 2700K - 1800K [Delivered - 2PG 276, 2SG 289]</p> <p>Halogen Profile: 3000K - 1800K [Delivered - 2PG 263, 2SG 323]</p> <p>90W15A 90+ CRI, 15 Watts Incandescent Profile: 2700K - 1800K [Delivered - 2PG 386, 2SG 406]</p> <p>Halogen Profile: 3000K - 1800K [Delivered - 2PG 369, 2SG 406]</p> <p>*SEE PAGE 4 FOR DETAILED WARM DIM PROFILE COMPARISON.</p> <p>TUNABLE WHITE 6.5" TALL HOUSING</p> <p>90T17A 90+ CRI, 17 Watts Warm Profile [Delivered - 2PG 386, 2SG 406]</p> <p>Cool Profile [Delivered - 2PG 369, 2SG 406]</p> <p>*ALL DELIVERED LUMEN OUTPUTS REFLECT 3000K.</p>	24 2400K* *(90+CRI only) 27 2700K 30 3000K 35 3500K 40 4000K	WG Wall Grazer Optic	<p>Housing (HR)</p> <p>NR NIC, Remote IR IC, Remote AR IC, Airtight* *(CCEA and Airtight compliant housing)</p> <p>Remodel</p> <p>RR Remote-Remodel</p>	0 0.125" - 0.49"* *(RR Install Types only) 1 0.50" - 0.75" 2 0.76" - 1.25" 3 1.26" - 2.00"	LVS Low Voltage System	GL Wall Grazer Lens	<p>F Flange Overlay (No Applique)</p> <p>G Zero Sightline Gypsum (1/16" Applique)*</p> <p>P Zero Sightline Plaster (1/8" Applique)*</p> <p>*(Not available for wet location)</p>

FINISH IMAGES ON PAGE 2

PART NUMBER NOTES

- Trims ships as e.g. 2SG1-WH-80S15A2-GHR1-LVSG
- Housing ships as e.g. NCL-2RF-1-LED-01-LVS
- Applique ships with housing

2 SERIES LVS WALL GRAZER

ACCESSORIES

ROUTER TOOL GUIDE (Dry / Damp locations only)
Recommended for Zero-Sightline installations in wood ceilings.

- **DLA-RTG-2S-RD** Tool, [router guide](#), round; reusable
- **DLA-RTG-2S-SQ** Tool, [router guide](#), square; reusable

REPLACEMENT OPTIC

Interchangeable optics accessible through fixture aperture.

- **RO-50-WG-S** Wall Grazer Optic, Static White
- **RO-50-WG-W** Wall Grazer Optic, Warm Dim

HANGER BAR EXTENDER KIT

Extends hanger bars from 24.0" to 46.0" maximum.

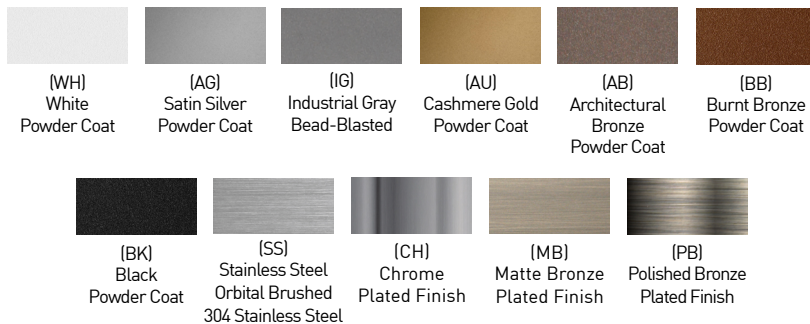
- **2S-HBE-46** Extender, Hanger Bar

FURRING CHANNEL ACCESSORY KIT

Recommended for installations in furring channel. Available for ceiling thicknesses from 0.125" - 1.25".

- **DHA-FC-KIT**

FINISHES BY LUCIFER LIGHTING™






2 SERIES LVS WALL GRAZER

APPLICATION NOTES

- Lucifer Lighting will not supply a fixture with a POE node or power supply inside the fixture. This allows for easier site install with nodes of 2 or more outputs.
- Consult node manufacturer for maximum remote wiring distances.
- Housing and Fixture feature 18 Gauge wiring.
- Wiring connections are made in the splicing compartment or on the fixture using customer supplied connectors, ex. wire nuts, push-in connectors, or terminal blocks.
- Confirm node compatibility with factory if it is not listed.
- Customers are responsible for ensuring POE node drive current is set to correct values shown below.
- Customers must ensure voltage range of the proposed POE node encompasses the fixtures complete Vf range, both maximum and minimum. If assistance is required contact LLC rep or factory.

NODE COMPATIBILITY

Manufacturer	Model Number
 Igor® Enabling Smart Buildings™	NP50-60-C-F-5
 molex	180996-1001 180996-1002 180996-2001 180996-2002
 PLATFORMATICS	1 Channel Node, POE-LN2-1U-E 2 Channel Node, POE-LN2-2U-E 4 Channel Node, POE-LN2-4U-E

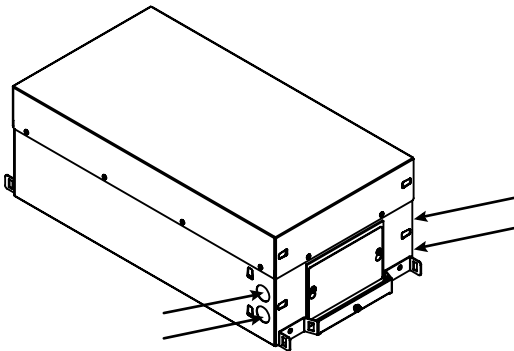
DRIVE CURRENT SPECIFICS

	80S				90S				97S				90W				90T	
	06A	11A	15A	21A	06A	11A	15A	21A	06A	11A	15A	21A	11AD	11AL	15AD	15AL	17AH	17AR
Minimum Vf	30.5	30.5	30.5	30.5	30.5	30.5	30.5	30.5	30.5	30.5	30.5	30.5	30.5	30.5	30.5	30.5	30.5	30.5
Maximum Vf	36.2	36.2	36.2	36.2	36.2	36.2	36.2	36.2	36.2	36.2	36.2	36.2	37.6	37.6	37.6	37.6	37.6	37.6
Current mA	150	250	350	500	150	250	350	500	150	250	350	500	250	250	350	350	400	400
Wattage W	6	11	15	21	6	11	15	21	6	11	15	21	8	8	15	15	14	14

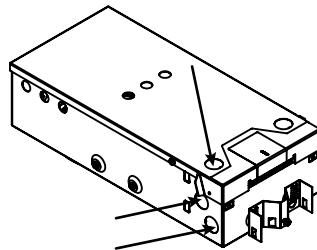
	10 DEGREE OPTIC		
	80S15C	90S15C	97S15C
Minimum Vf	30.5	30.5	30.5
Maximum Vf	36.2	36.2	36.2
Current mA	350	350	350
Wattage W	15	15	15

WIRING DIAGRAM AND HOUSING ENTRY/ EXIT POINTS

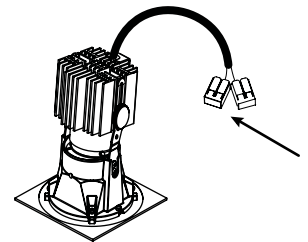
ICH/NCH/WARM DIM HOUSING



ICL/NCL HOUSING

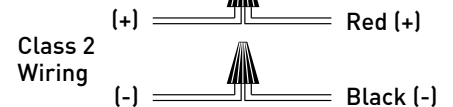


REMODEL



LV CONSTANT
CURRENT SOURCE:
POE NODE OR
REMOTE DRIVER

HOUSING OR
REMODEL
FIXTURE



2 SERIES LVS WALL GRAZER

WALL GRAZER DESIGN GUIDE

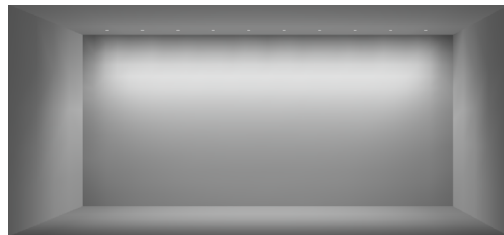
ROUND



RECOMMENDED 18" SETBACK / 24" ON CENTER SPACING

- AVERAGE FC: 11.42
- MIN / MAX: 3.10
- 10FT CEILING SHOWN / 8-12FT IDEAL
- 10 FIXTURES / 22FT WALL SHOWN

SQUARE



RECOMMENDED 18" SETBACK / 24" ON CENTER SPACING

- AVERAGE FC: 14.48
- MIN / MAX: 5.06
- 10FT CEILING SHOWN / 8-12FT IDEAL
- 10 FIXTURES / 22FT WALL SHOWN

ADDITIONAL SPACINGS AND SETBACKS

ROUND		
ON CENTER SPACING	SETBACK	
	16"	18"
22"	AVERAGE FC: 13.15 MIN / MAX: 3.03	AVERAGE FC: 12.48 MIN / MAX: 2.83
24"	AVERAGE FC: 11.99 MIN / MAX: 3.12	SHOWN ABOVE
26"	AVERAGE FC: 10.92 MIN / MAX: 4.97	AVERAGE FC: 10.37 MIN / MAX: 4.70
28"	AVERAGE FC: 10.24 MIN / MAX: 5.26	AVERAGE FC: 9.76 MIN / MAX: 4.86

SQUARE		
ON CENTER SPACING	SETBACK	
	16"	18"
22"	AVERAGE FC: 16.97 MIN / MAX: 4.60	AVERAGE FC: 16.14 MIN / MAX: 5.03
24"	AVERAGE FC: 15.08 MIN / MAX: 4.87	SHOWN ABOVE
26"	AVERAGE FC: 14.15 MIN / MAX: 4.91	AVERAGE FC: 13.48 MIN / MAX: 5.34
28"	AVERAGE FC: 13.05 MIN / MAX: 4.73	AVERAGE FC: 12.55 MIN / MAX: 5.00

***ALL DATA REFLECTS 90S15A WATTAGE PACKAGE**

2 SERIES LVS WALL GRAZER

STATIC WHITE PERFORMANCE - 3000K

CRI / WATTAGE PACKAGE	WATTAGE	WALL GRAZER			
		2PG		2SG	
		DELIVERED	LPW	DELIVERED	LPW
80S06A	6	331	55	389	65
80S11A	11	536	49	628	57
80S15A	15	724	48	856	57
80S21A	21	1000	48	1156	55
90S06A	6	285	49	335	58
90S11A	11	462	46	541	54
90S15A	15	624	44	738	51
90S21A	21	862	41	997	47
97S06A	6	251	42	295	49
97S11A	11	406	37	494	38
97S15A	15	549	37	649	43
97S21A	21	758	36	877	42
90W11A (WL 27K-18K)	11	276	28	289	30
90W11A (WD 30K-18K)	11	263	27	323	33
90W15A (WL 27K-18K)	15	386	28	404	29
90W15A (WD 30K-18K)	15	369	26	452	32
90T17A (TR 40K-18K)	17	753	45	833	49
90T17A (TH 50K-27K)	17	746	44	825	49

OUTPUT MULTIPLIER

CCT	CCT SCALE
2400K	0.76
2700K	0.97
3000K	1.000
3500K	1.03
4000K	1.08

TUNABLE WHITE MULTIPLIER

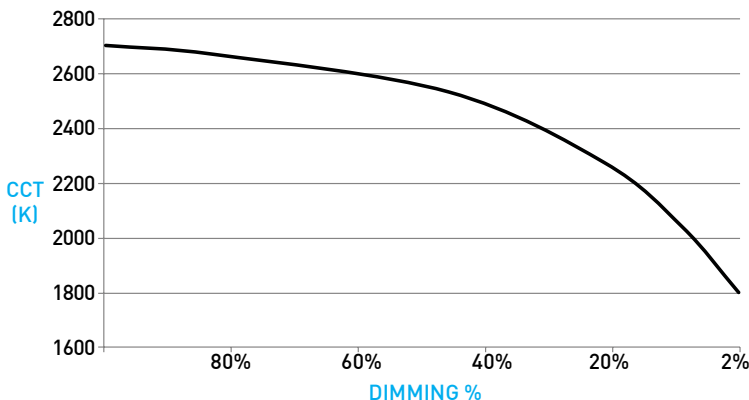
CCT	5000K-2700K	4000K-1800K
5000K	1.16	-
4000K	1.08	1.14
3500K	1.04	1.07
3000K	1.00	1.00
2700K	0.96	0.92
2400K	-	0.84
1800K	-	0.69

WARM DIM PERFORMANCE

INCANDESCENT PROFILE

90W11AL 2700K - 1800K	Full on 100%	Dimmed to 80%	Dimmed to 70%	Dimmed to 50%	Dimmed to 20%	Dimmed to 10%	Dimmed to 2%
CCT (K)	2700	2650	2625	2550	2200	1900	1800
Light Output (Lm)	276	221	193	138	55	28	6
Power (W)	11	9	8	6	2.2	1.1	.2
Efficacy (LPW)	25	25	25	25	25	25	25

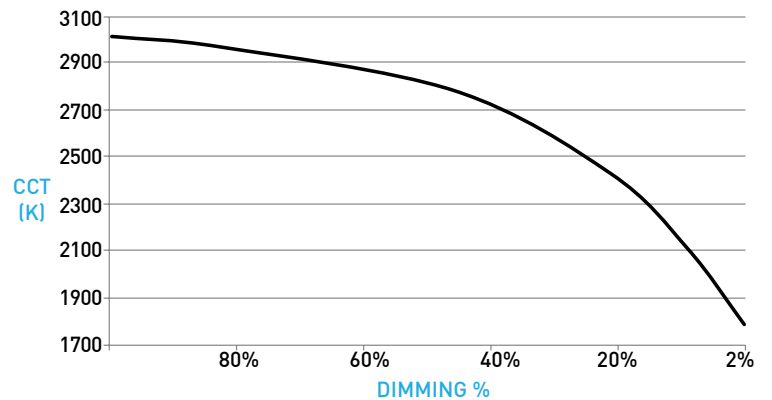
90W15AL 2700K - 1800K	Full on 100%	Dimmed to 80%	Dimmed to 70%	Dimmed to 50%	Dimmed to 20%	Dimmed to 10%	Dimmed to 2%
CCT (K)	2700	2650	2625	2550	2200	1900	1800
Light Output (Lm)	406	325	284	203	82	41	8
Power (W)	14	11	10	7	3	1.5	0.3
Efficacy (LPW)	29	29	28	29	27	27	27



HALOGEN PROFILE

90W11AD 3000K - 1800K	Full on 100%	Dimmed to 80%	Dimmed to 70%	Dimmed to 50%	Dimmed to 20%	Dimmed to 10%	Dimmed to 2%
CCT (K)	3000	2950	2920	2775	2375	2000	1800
Light Output (Lm)	289	231	202	145	58	29	6
Power (W)	11	9	8	6	2.2	1.1	.2
Efficacy (LPW)	26	26	26	26	26	26	26

90W15AD 3000K - 1800K	Full on 100%	Dimmed to 80%	Dimmed to 70%	Dimmed to 50%	Dimmed to 20%	Dimmed to 10%	Dimmed to 2%
CCT (K)	3000	2950	2920	2775	2375	2000	1800
Light Output (Lm)	453	362	317	226	90	45	9
Power (W)	14	11	10	7	3	1.5	0.3
Efficacy (LPW)	32	33	32	32	30	30	30



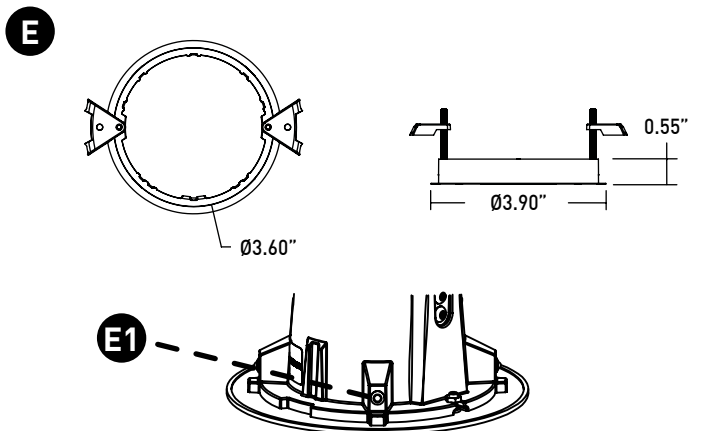
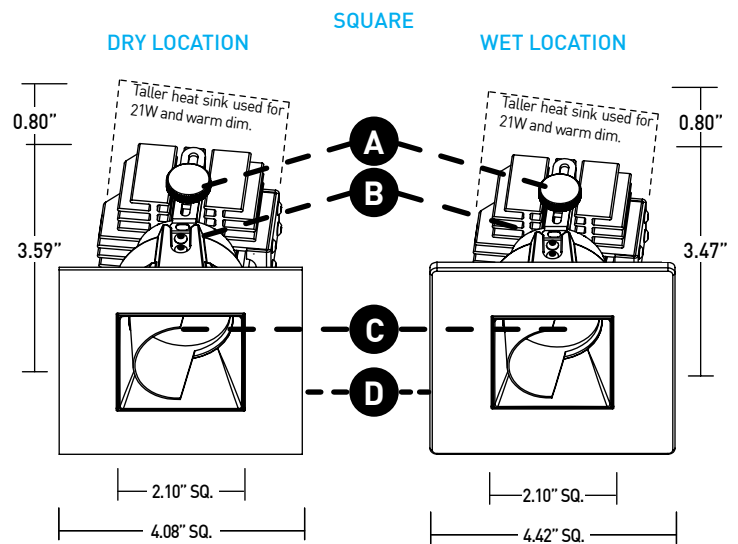
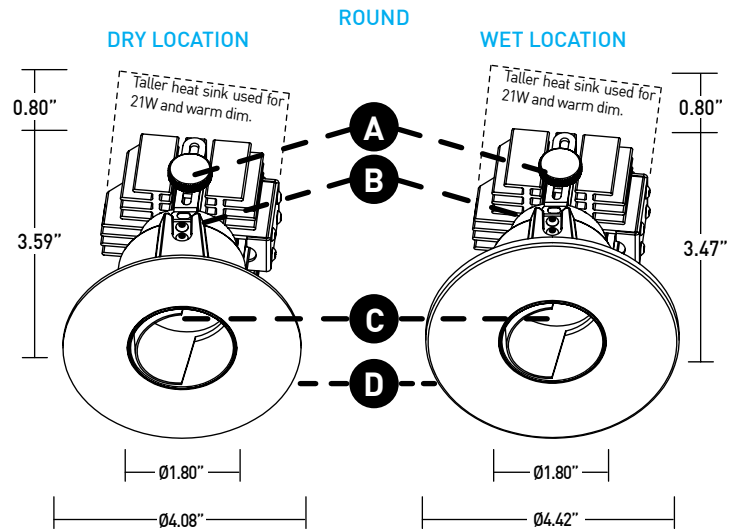
2 SERIES LVS WALL GRAZER

DOWNLIGHT

Die-cast baffle and precision kick reflector provide dynamic wall grazing and minimal aperture glare.

- A** **ADJUSTABLE YOKE**
Adjustable yoke allows for quick access to optic and media.
- B** **OPTICS**
Robust light engine with optimized optic pairing integrates Reflection, Refraction, and TIR offering a 40° wallgrazing beam.
- C** **MEDIA**
Wall grazer lens included and sealed in place on wet location fixtures
- D** **TRIM PLATE**
 - Dry / Damp Location: Thickness measures 0.065".
 - Wet Location: Sealed aperture and integral silicone gasket. 0.17" (4.3mm) return, installed as flange overlay only.
- E** **DOWNLIGHT TRIM ADAPTER**
Included with fixture and required for installation. Provides required alignment with trim, ensuring fixture aim integrity is maintained Uses (2) #6-32 flat-head screws with varying lengths to accommodate ceiling depth. Installed after ceiling is complete.
- E1** **RETENTION**
Integral ball plungers correspond to trim adapter ensuring snug fit against finished ceiling.

DIMENSIONS / DRAWINGS



2 SERIES LVS WALL GRAZER

HOUSING

- F** **LOW FLUX NO INSULATION CONTACT (NON-IC) HOUSING (NCL)**
- Included with NR Low Flux wattage packages.
 - Minimum 0.50" setback from combustible and non-combustible materials on all sides and top of housing.
 - Minimum 3.00" setback from insulation material having max R-Value 30 on all sides and top of housing.
 - Minimum 6.00" setback from polycell spray foam insulation having max R-Value 60.
- LOW FLUX INSULATION CONTACT (IC) HOUSING (ICL)**
- Included with IR and AR LOW Flux wattage packages.
 - No setback from polycell spray foam insulation having max R-Value of 60 on all sides and top of housing.
- G** **HIGH FLUX IC / NON-IC / WARM DIM HOUSING (ICH/NCH)**
- Included with all HIGH Flux and Warm Dim wattage packages.
 - No setback from polycell spray foam insulation having max R-Value of 60 on all sides and top of IC housing.

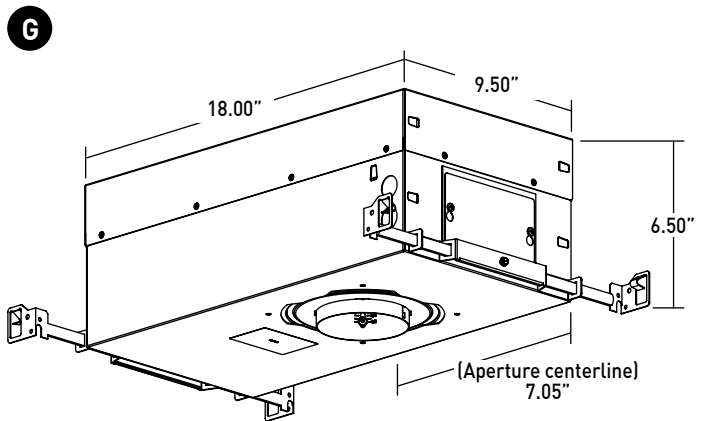
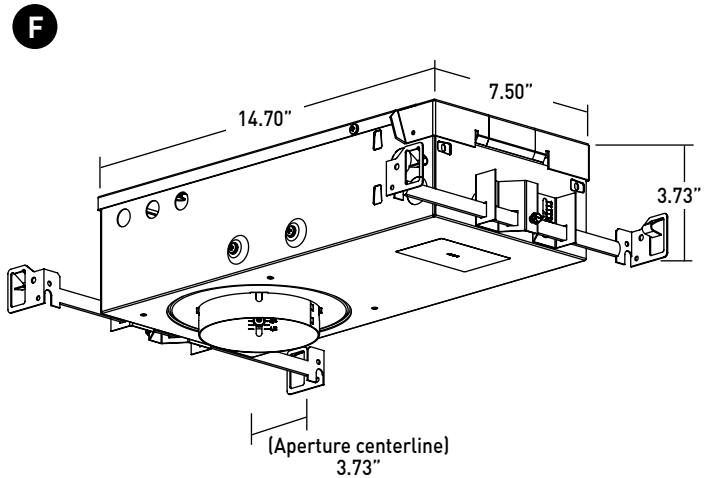
HOUSING MOUNTING NOTES

- AR install type is required for CCEA, Airtight and Title 24 (JA8) applications.
- Do not install in environments where ambient temperatures exceed 40°C (104°F).
- Splice connections may be serviced from room side.
- Consult factory for spacing requirements for any installations exceeding R-Value 60.
- Hanger bars fitted to short and long side of low flux housing, and short side only of High Flux Housing; extend from 14.0" to 24.0", but may be field cut to accommodate narrow stud spacing. Can be extended up to 46" maximum with 2S-HBE-46 kit.
- Hanger bars and brackets add 4.00" to the overall dimension, but are exclusive of the setback requirements.
- Driver assembly ships with trim, not housing. Housing and trim feature push nuts and lever nuts for ease of installation.

REMODEL NOTES

- Do not install in environments where ambient temperatures exceed 40°C (104°F).
- Splice connections may be serviced from room side.
- Consult factory for spacing requirements for any installations exceeding R-Value 60.

DIMENSIONS / DRAWINGS



2 SERIES LVS WALL GRAZER

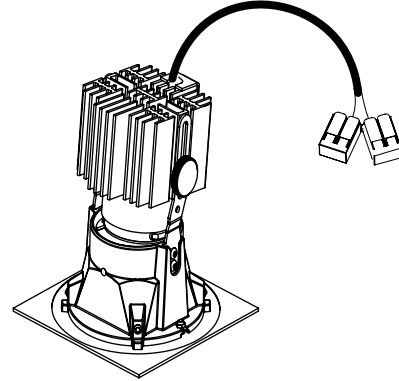
REMODEL

H REMODEL

- Provided with RR install type.
- UL2043 listed for air-handling plenum.
- Installs without conventional housing using integral mounting clamps.
- Requires plenum rated Class 2 cable between fixture and power supply. Cable supplied by others.
- Minimum 2.75" clearance from top of trim.
- Minimum setback from combustible and non-combustible materials of 6.63" radius from fixture centerline.
- Minimum additional 3.00" setback from insulation material with max R-Value 30 from any surface of downlight fixture assembly.
- Minimum additional 6.00" setback from polycell spray foam insulation with max R-Value 60 from any surface of downlight fixture assembly.
- Do not install in environments where ambient temperatures exceed 40°C (104°F).
- All splice connections serviceable from room side.
- Consult factory for spacing requirements for any installations exceeding R-Value 60.

DIMENSIONS / DRAWINGS

H



ZERO-SIGHTLINE INSTALLATIONS

Fixture regresses flush with the finished ceiling plane when installed according to manufacturer instructions and finished ceiling conditions are met. Consult 2-Series Installation Guidelines for appropriate ceiling cutouts and instructions for proper Zero-Sightline installations.

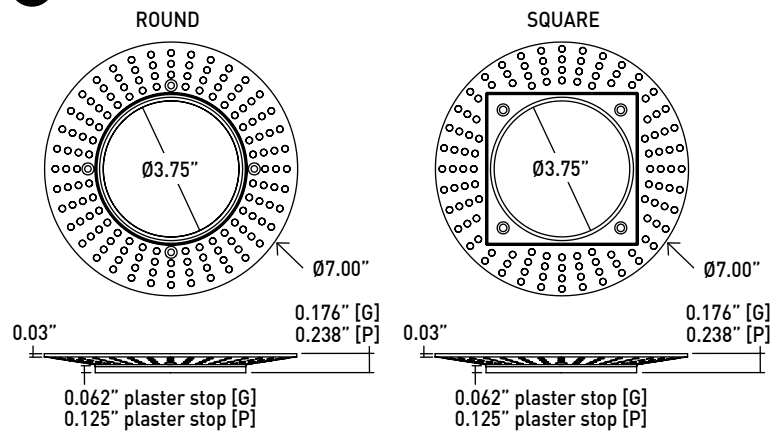
I APPLIQUÉ

- Specified on Flange Configuration and ships with housing; ships separately on remodel installations.
- For use in sheetrock ceiling applications.
 - 1/16" Appliqué (G Flange Configuration) recommended for gypsum ceiling installations and has plaster stop thickness of 1/16". Recommended for painted ceiling applications.
 - 1/8" Appliqué (P Flange Configuration) offers double thick plaster stop of 1/8" where a heavier application of mud is preferred. Recommended for colorfast and venetian plaster applications.
- Not recommended for stucco applications.

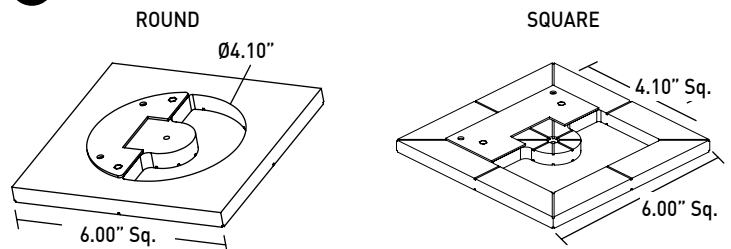
J ROUTER TOOL GUIDE

- Specified separately and used with Flange Overlay configurations.
- For use in wood ceiling applications.
- **DLA-RTG-2S-RD** or **DLA-RTG-2S-SQ** required for wood Zero-Sightline ceiling installations.
- Router tool guide is reusable and suitable for multiple fixtures.

I



J



2 SERIES LVS WALL GRAZER

TECHNICAL INFORMATION

CONSTRUCTION

Downlight: Steel and aluminum; extruded aluminum heat-sink; painted finishes are granulated powder coat. 304 corrosion resistant stainless steel faceplate for wet location fixtures.

Trim Adapter: High-impact composite and stainless steel.

Housing: 22 Gauge galvanized steel.

Appliqué: Zinc alloy.

LED

2-step MacAdam ellipse LED module available in 80+, 90+ and 97+ CRI configurations in color temperatures of 2700K, 3000K, 3500K and 4000K. 3-step MacAdam ellipse LED module available in 90+ CRI configuration in color temperatures of 2400K. Average rated lamp life of 50,000 hours. LED and driver assemblies are field-replaceable.

WARM DIM LED

3-step MacAdam ellipse warm dim LED module available in 90+ CRI configuration. 3000K or 2700K at full brightness, warming to 1800K at full dim. Average rated lamp life of 50,000 hours. LED and driver assemblies are field-replaceable.

TUNABLE WHITE LED

3-step MacAdam ellipse tunable white LED module available in 90+ CRI configuration. Features tuning range of 2700K to 5000K and 1800K to 4000K. Average rated lamp life of 50,000 hours. Driver assemblies are field-replaceable.

SPACING

Recommended fixture spacing is 22" to 28" on center with 16" to 18" setback from wall plane.

LISTING

cTUVus listed to UL1598 standard for Dry / Damp and Wet locations. CCEA, Airtight and Title 24 JA8-2022 Listed. NEMA 410 Compliant.

DECLARE

LBC Red List Approved.

FIXTURE WEIGHT

Trim - 2 lbs max

Low Flux Housing - 4.2 lbs

High Flux Housing - 7.4 lbs

Remote / Remodel Driver - 1.4 lbs

LIMITED WARRANTY

Manufacturer's Limited Warranty guarantees product(s) listed to be free from defects in material and workmanship under normal use and service for 1-year. LED and power supplies are warranted to operate with 70% of original flux and remain within a range of 3 duv for a period of 5-years. 10-year Lutron Advantage limited warranty available on Lutron equipped systems. Warranty period begins from the date of shipment by Seller.

[Consult website for full warranty terms and conditions.](#)

CHANGE LOG

1. 01/12/2021: ADDED 2200K, 2700K-1800K WARM DIM AND 10 DEGREE OPTIC OFFERINGS.

2. 04/06/2022: REMOVED REMOTE REMODEL ACCESSORY KIT DLA2-RMT-AK.

3. 10/17/2022: REMOVED 90WA13H 3200K-1800K WARM DIM AND ADDED 90WA12H 3000K-1800K WARM DIM.

4. 08/08/2023: UPDATED WITH NEW LED AND OPTIC SYSTEM.

5. 02/07/2024: ADDED 2400K, LOW WATTAGE, AND TUNABLE WHITE OFFERINGS.