

MONOPOINT SURFACE MOUNT

CM SERIES MONOPOINT LED

INSTALLATION

Before beginning any MONOPOINT installation, disconnect electrical power at main switch or circuit breaker.

A. CAUTION

To reduce the risk of fire, electric shock, and potential damage to monopoint fixture when electrical power is re-connected, DO NOT ATTEMPT TO CONNECT the following on branch circuit serving fixture assembly:

- Motors
- Power tools
- Extension cords
- Appliances or similar electronics

Fixtures to be mounted in conditions where ambient temperatures do not exceed 40°C.

Ensure AC input voltage is protected against surges & load shifts prior to power supply input.

B. SAFETY INSTRUCTIONS

1. Read installation instructions completely before attempting installation.
2. Failure to follow instructions may result in improper installation and void warranty.
3. Contact Lucifer Lighting Company with any questions or concerns before beginning any installation.
4. Ensure qualified electrician will perform all electrical procedures.
5. Disconnect electrical power circuit before attempting to install Monopoint, or if adding to or changing configuration Monopoint assembly.
6. CAUTION: When fixture is on for long periods the Monopoint surface will be hot. Take care when making adjustments.

This product must be installed in accordance with applicable electrical and installation codes by a person familiar with the construction and operation of the product and the hazards involved. "CAUTION- RISK OF FIRE"

C. DESCRIPTION

Surface mounted Monopoint with dimmable LED module and integral driver. Features standard 90° locking tilt and 365° locking rotation.

D. MOUNTING

Monopoints may be ceiling or wall mounted in Dry / Damp locations only. Accommodates flat or sloped ceiling conditions.

CM-JBMP:

Allows canopy to finish flush with minimalist transition to ceiling. Mounts to 4" square or octagon box during rough-in (section D.1, page 2).

CM-APP:

Applique permits canopy to recess into ceiling plane for zero-sightline appearance. Mounts to 4" octagon box (section D.2, page 3).

CM-CMJB:

Proprietary ceiling mount j-box matching Monopoint canopy diameter. Accepts 1/2" and 3/4" EMT without the need of fittings for refined appearance (section D.3, page 5).

CM-SMK:

Fixture includes oversized canopy to conceal mounting hardware. Intended for existing installations featuring 4" octagon box (section D.4, page 7).

CM-EXMP (International Only):

Fitting outfitted with mounting plate used to sandwich substrate with fitting (section D.5, page 8).

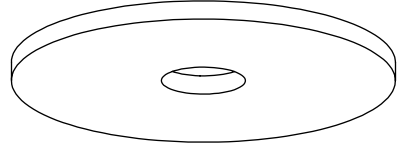
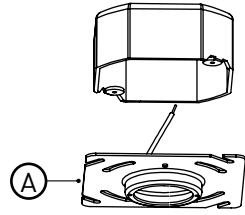
LUCIFER
LIGHTING COMPANY

D.1 CM-JBMP

NOTE: The CM-JBMP must be installed prior to substrate.

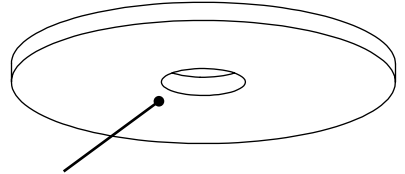
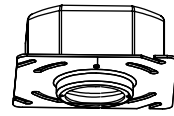
PARTS IDENTIFICATION

<u>Part ID</u>	<u>Description</u>	<u>Qty.</u>
A	J-box Mounting Plate	1



STEP 1

Attach junction box mounting plate to standard 4" octagon or 4" square junction box during rough-in. Refer to section G, page 12 of this install guide for wiring and mounting instructions.

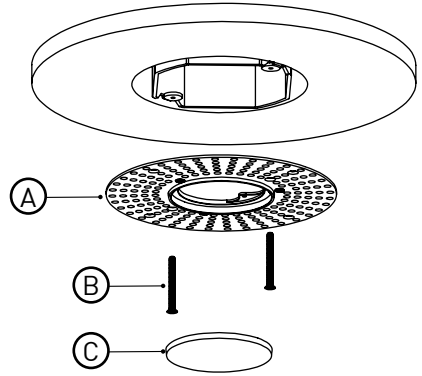


2-1/8" (54mm) cutout

D.2 CM-APP

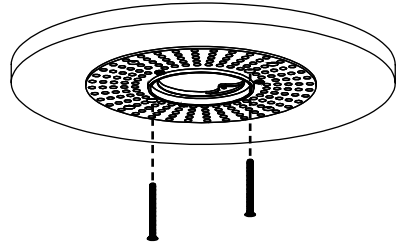
PARTS IDENTIFICATION

<u>Part ID</u>	<u>Description</u>	<u>Qty.</u>
A	Appliqué	1
B	Mounting Screws	2
C	Mud Plug	1



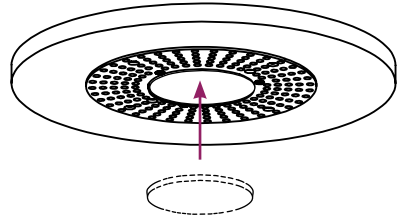
STEP 1

Attach appliqué to standard 4" octagon junction box with supplied screws.



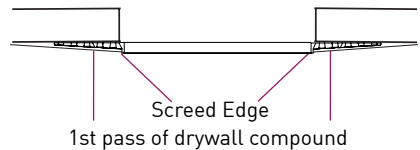
STEP 2

Install mud plug into appliqué aperture.



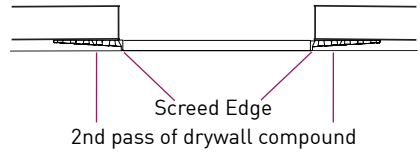
STEP 3

Use floating knife to apply first pass of drywall compound from beyond outer edge of appliqué to inner edge of appliqué / plaster stop. Float out as far as necessary to hide perforated appliqué and allow first pass of joint compound to dry.



STEP 4

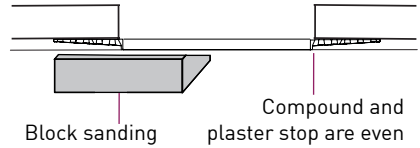
Apply second coat of drywall compound level with screed edge, feathering compound as you move away from appliqué to give appearance of a perfectly flat ceiling. Allow drywall compound to dry and cure.



STEP 5

Gently use block sanding screen to sand surface until desired level of smoothness is achieved.

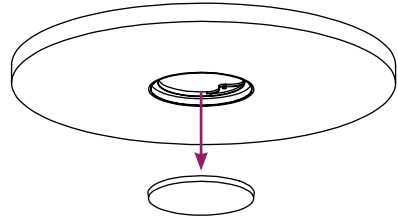
WARNING: An unsatisfactory installation will occur if drywall compound is not sufficiently sanded and the flange / plaster stop is at all receded into the ceiling plane.



STEP 6

Once cured, the ceiling may be painted. After paint is dry, remove foam plug. Check for any drywall compound or paint that may have seeped beneath plug and carefully scrape if necessary. Refer to section G, page 12 of this install guide for wiring and mounting instructions.

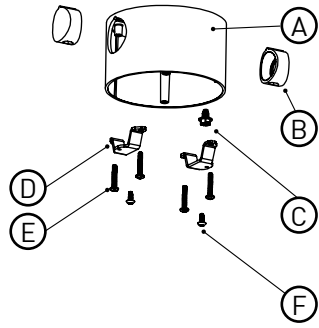
Important: Any foreign material left in or on recessed appliqué surface may prevent proper installation of canopy and satisfactory appearance.



D.3 CM-CMJB

PARTS IDENTIFICATION

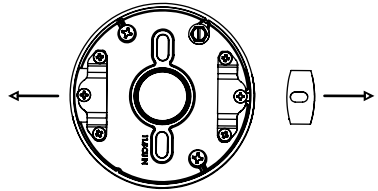
Part ID	Description	Qty.
A	CM-CMJB	1
B	Blank-off plug	2
C	Ground screw	1
D	Clamp	2
E	Clamp screws	4
F	Conduit locking screw	2



STEP 1A - 3/4" CONDUIT

For 3/4" conduit, loosen clamps and conduit locking screw, discard applicable blank-off plug(s).

NOTE: Maximum 3/4" conduit throat diameter is 0.819" (20.8 mm), per UL code.

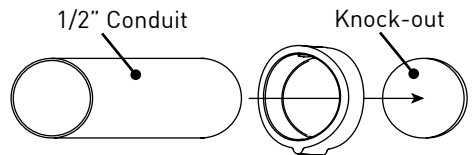
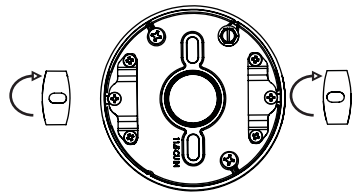


STEP 1B - 1/2" CONDUIT

Scan QR code below and reference knock-out removal video. Loosen clamp and locking screw to remove plug(s). On a protected concrete surface, remove knock-out from plug using 1/2" conduit and reinstall in reverse orientation.

NOTE: Maximum 1/2" conduit throat diameter is 0.622" (15.8 mm), per UL code.

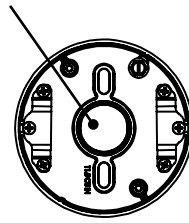
Knock-out Removal



STEP 1C - TOP FEED

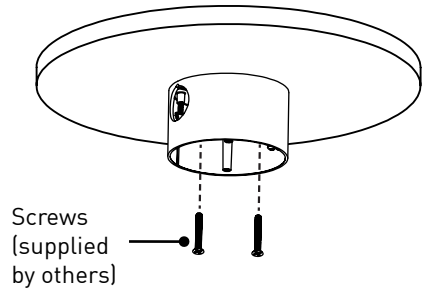
Place CMJB on a soft surface and remove top knock out.

Knock-out



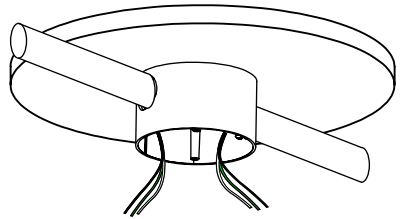
STEP 2

Ensure the ceiling area is level and free from debris, secure CMJB to ceiling with suitable customer furnished hardware.



STEP 3

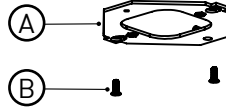
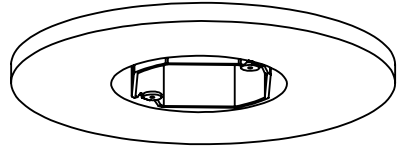
Run conduit and / or wiring to CMJB. On applications using conduit, tighten clamp screws and conduit locking screw(s). Refer to section G, page 12 of this install guide for wiring and mounting instructions.



D.4 CM-SMK

PARTS IDENTIFICATION

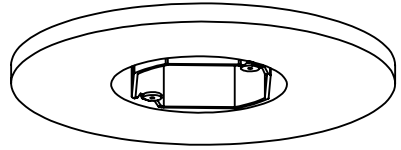
<u>Part ID</u>	<u>Description</u>	<u>Qty.</u>
A	Mounting Plate	1
B	Mounting Screws	2



STEP 1

Mounting plate attaches to standard 4" octagon junction box.

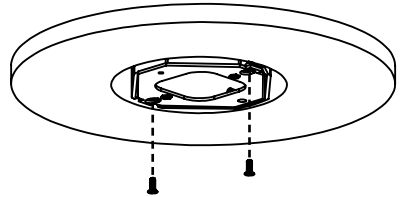
As applies - Remove existing fixture and mounting hardware, ensuring the ceiling area is level and free from debris.



STEP 2

Attach mounting plate to junction box with supplied screws. Refer to section G, page 12 of this install guide for wiring and mounting instructions.

Important: Mounting plate should not finish proud of finished ceiling.



D.5 CM-EXMP

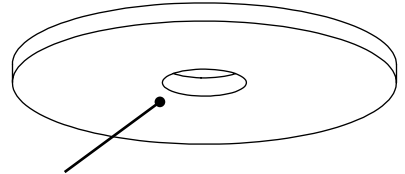
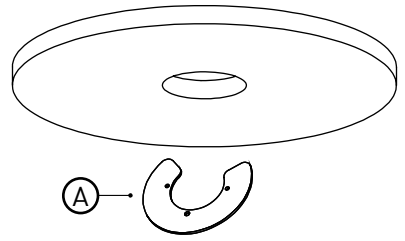
PARTS IDENTIFICATION

Part ID	Description	Qty.
A	Export Mounting Plate	1

Note: Power supply should be installed prior to installation of the CM-EXMP mounting plate. See Section F.

STEP 1

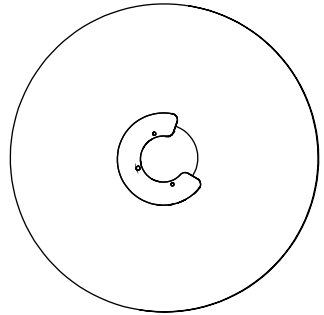
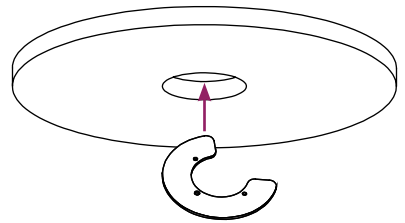
Make 54mm (2-1/8") ceiling cutout at fitting installation location.



54mm (2-1/8") cutout

STEP 2

Feed mounting plate through cutout and place atop ceiling. Refer to section G, page 12 of this install guide for wiring and mounting instructions.



E. REMOTE POWER SUPPLY - UL 2108 INSTALLATIONS ONLY

Do not install in environments where ambient temperatures exceed 35°C (95°F).

Determine preferred mounting location, verifying Monopoint falls within allowable wire capacity distance from selected power supply (Ref. Page 15).

Run suitably sized two-pair plenum rated wire between remote driver and Monopoint location, following installation guidelines for terminating, as applies.

Note: Secondary wiring is polarized (+ / -) and must be terminated correctly at both ends for proper operation. It is recommended to use Red (+) and Black (-) wires to avoid confusion. Additionally, a ground wire should not accompany secondary run wires.

WARNING: Failure to use the appropriate gauge wire for the run length required and to ensure proper polarity is observed will cause damage to the unit and void the warranty.

Access splice compartment by removing retaining screws, then tilting cover slightly back and away from base (Fig.1).

Mount power supply back plate assembly to suitable substrate using customer supplied screws (Fig.2).

Insert line / mains and control voltage wiring / conduit into line side of splice compartment and secondary voltage wiring / conduit into secondary side of splice compartment utilizing appropriate strain relief or connector (Fig.3).

Note: Consult wiring diagrams beginning on page 14, in accordance with the applicable driver.

Join structured building wires to corresponding driver wires with suitable customer supplied wire connecting device, ensuring proper polarity is observed with secondary wires.

Push all wires and wire connections into splice compartment and reinstall splice compartment cover by aligning tab and slot, ensuring no wires are pinched by cover. Install retaining screws (fig. 3).

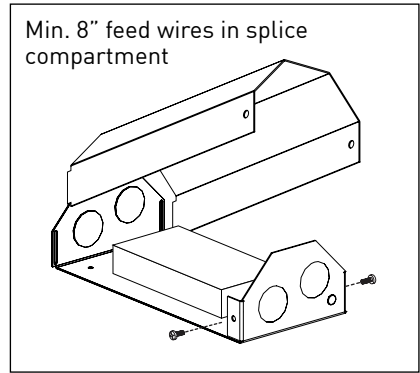


Fig.1

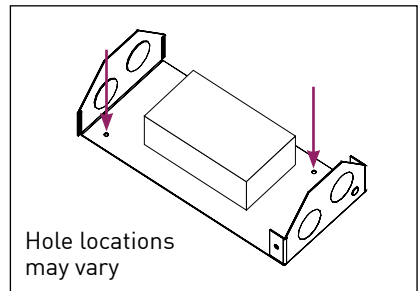


Fig.2

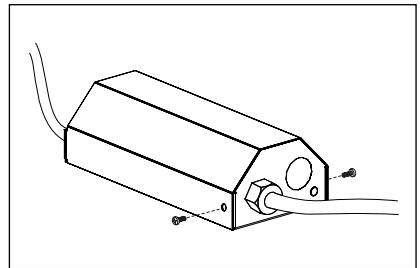


Fig.3

F. REMOTE POWER SUPPLY - SELV CLASS III CE INSTALLATIONS

Driver assembly provides integral wiring terminal (*Fig.4*) and typically accepts 3 wires for connecting to the mains voltage: black, white and green (*Fig.5*) plus any control wiring required.

Connect line / mains and any control wiring to integral wiring terminals. Place power supply atop ceiling.

Note: Power supply should be installed prior to installation of the CM-EXMP mounting plate.

Driver and monopoint feature 2-pin quick connector for making secondary wiring connection, make connection and reference section G to mount monopoint.

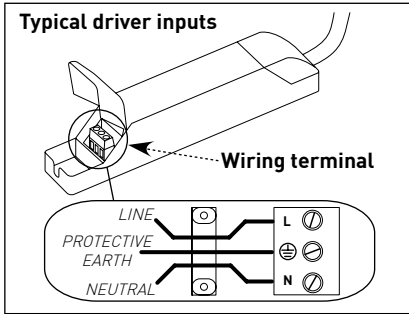


Fig.4

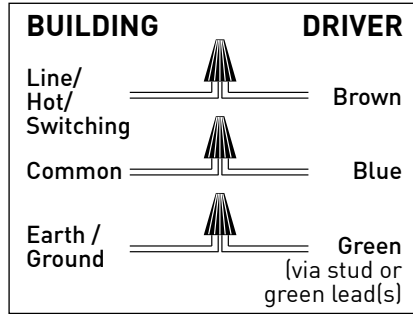
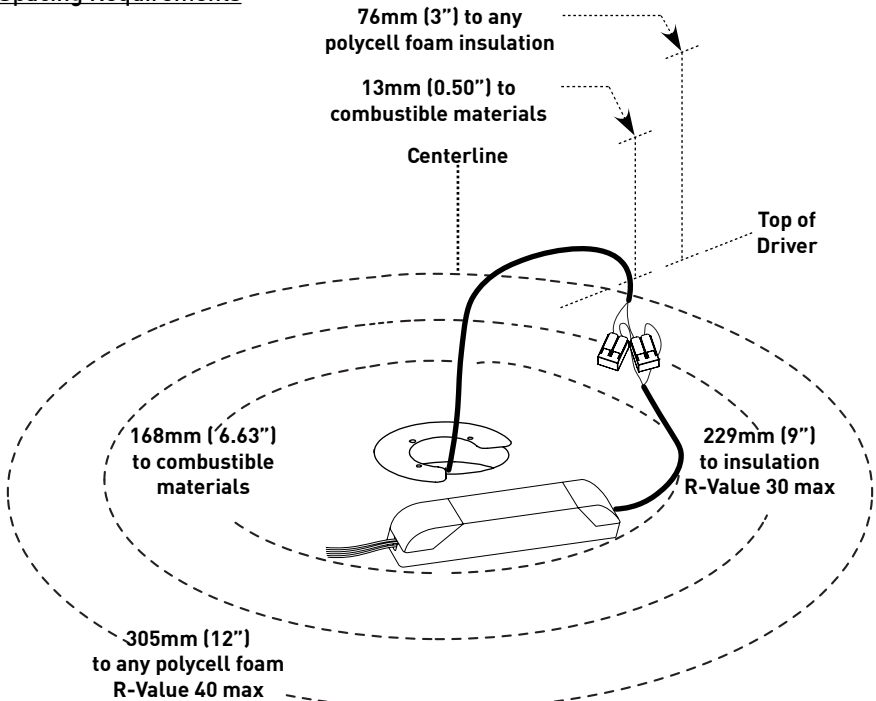


Fig.5

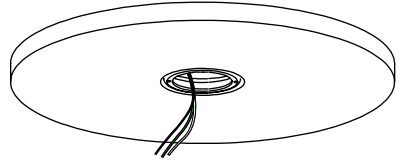
Spacing Requirements



G. WIRING & MOUNTING

STEP 1

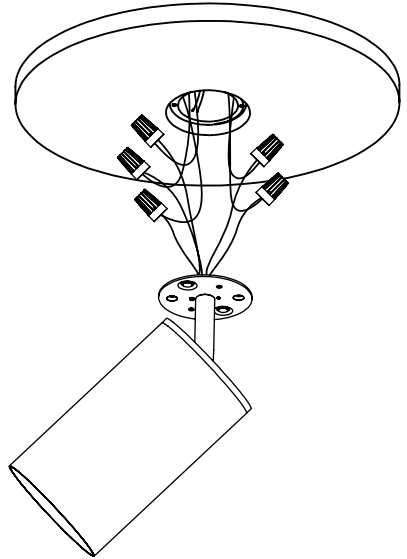
Expose structured wiring from within selected mounting option.



STEP 2A - INTEGRAL DRIVER UL1598 INSTALLATIONS

Attach wiring from line / mains source as indicated with suitable wire-nuts or similar connectors supplied by others. For 0-10V dimming option, use pink and purple wires. Push connections and excess wiring into junction box or ceiling space.

- Black Wire - Line / Mains
- White Wire - Neutral
- Green Wire - Ground / Earth
- Purple Wire - Dim +
- Pink Wire - Dim -

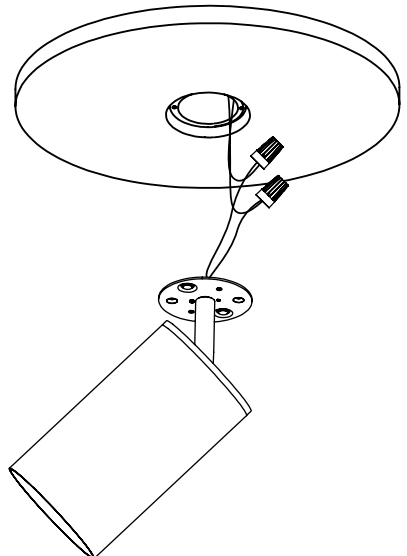


STEP 2B - REMOTE DRIVER / LVS UL2108 INSTALLATIONS

Attach wiring from low voltage source as indicated with suitable wire-nuts or similar connectors. Push connections and excess wiring into junction box or ceiling space.

Reference Section L for drive current and node compatibility information.

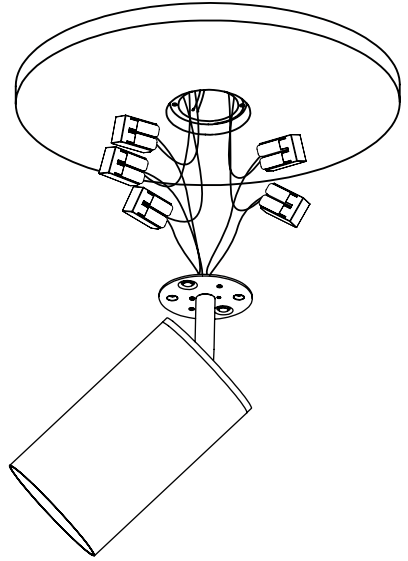
- Red Wire - Positive (+)
- Black Wire - Negative (-)



STEP 2C - INTEGRAL DRIVER CLASS I CE INSTALLATION

Attach wiring from line / mains source as indicated with suitable wire-nuts or similar connectors supplied by others. For 0-10V dimming option, use pink and purple wires. Push connections and excess wiring into junction box or ceiling space.

- Brown Wire - Line / Mains
- Blue Wire - Neutral
- Green Wire - Ground / Earth
- Purple Wire - Dim +
- Pink Wire - Dim -

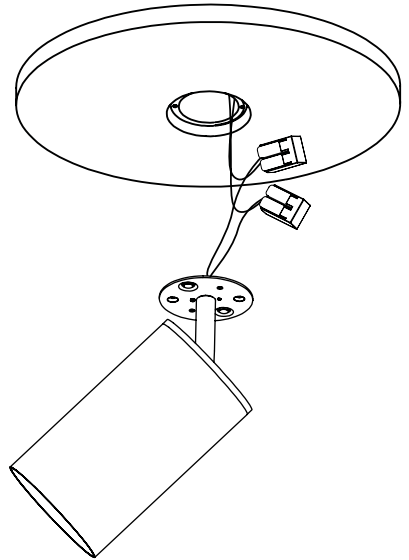


STEP 2D - REMOTE DRIVER SELV CLASS III CE INSTALLATIONS

Attach wiring from low voltage source as indicated with suitable wire-nuts or similar connectors. Push connections and excess wiring into junction box or ceiling space.

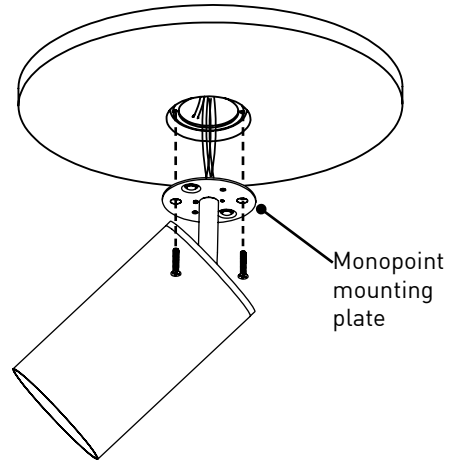
Reference Section L for drive current and node compatibility information.

- Red Wire - Positive (+)
- Black Wire - Negative (-)



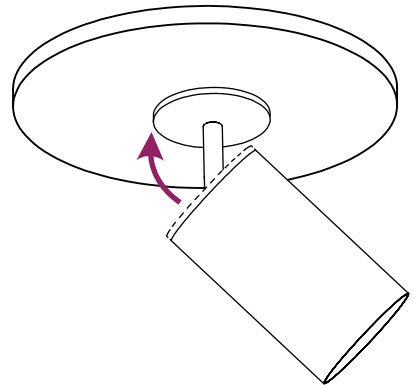
STEP 3

Lower canopy, exposing Monopoint mounting plate. Attach monopoint mounting plate to installed mounting accessory using the supplied screws.



STEP 4

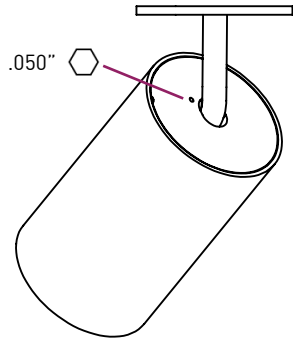
Carefully slide canopy plate toward mounting plate until canopy engages magnetic retainers. Avoid scratching stem with canopy.



H. TILT

STEP 1

Loosen .050" Allen tilt lock screw and tilt fixture up to 90° max. Tighten screw once completed.



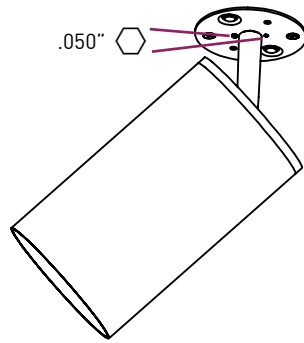
I. ROTATION

STEP 1

Lower canopy plate.

STEP 2

Loosen .050" Allen rotation lock screws (2x) and rotate fixture up to 365° max. Tighten screws once completed and raise canopy plate.



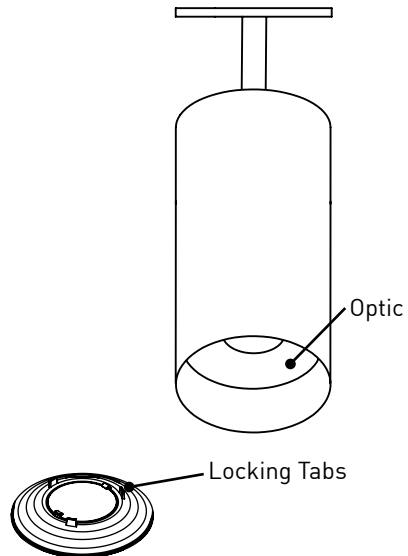
J. OPTIC REPLACEMENT

STEP 1

Remove baffle.

STEP 2

Carefully grab optic and twist counter-clockwise to remove and clockwise to secure. Ensure that both locking tabs of optic engage LED base. Reinstall baffle.

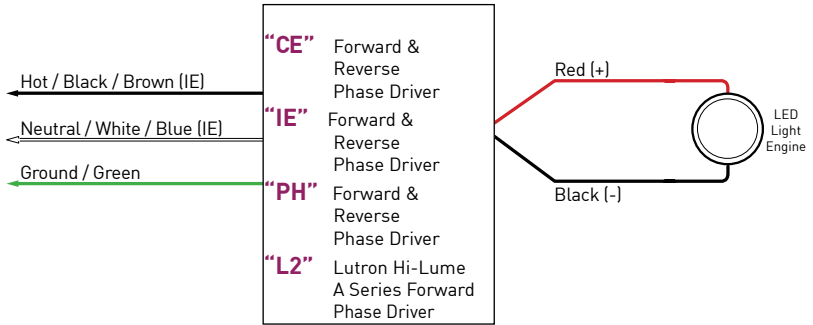


K. DRIVER WIRING DETAIL

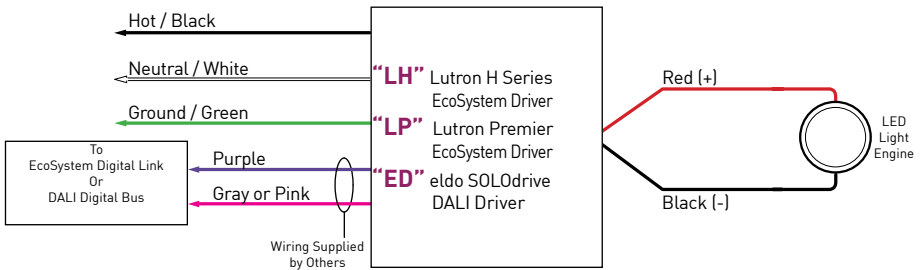
GENERAL WIRING NOTES

1. Consult approved dimmer list to ensure compatibility.
2. Install in accordance with manufacturer's dimmer installation guidelines.
3. Secondary and 0-10V connections are polarity sensitive.

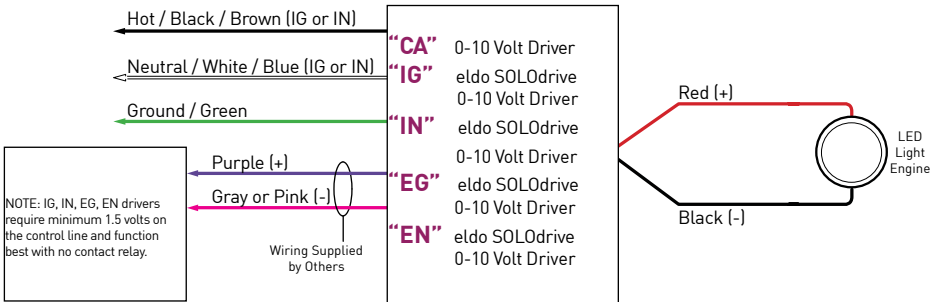
WIRING DIAGRAM FOR PHASE DIMMING



WIRING DIAGRAM FOR ECOSYSTEM AND DIGITAL CONTROL



WIRING DIAGRAM FOR ANALOG CONTROL



MAXIMUM ALLOWABLE WIRING DISTANCES

Lutron Drivers: "L2", "LH", & "LP"

AWG Value	18	16	14	12
Distance (m)	4.5	7.5	12	18
Distance (ft)	15	25	40	60

eldoLED Drivers: "ED", "EG", "EN", "IG", & "IN"




AWG Value	20	19	18	17	16
Distance (m)	14	18	22	28	36
Distance (ft)	46	59	72	92	118

L. UL2108 INSTALLATION INFORMATION

Drive Current Information:

	80S			90S			97S			90W
	11A	17A	28A	11A	17A	28A	11A	17A	28A	18A
Minimum Vf	30.5	30.5	30.5	30.5	30.5	30.5	30.5	30.5	30.5	30.5
Maximum Vf	39	39	39	39	39	39	39	39	39	39
Current mA	250	400	650	250	400	650	250	400	650	400
Wattage W	8.4	14.0	23.8	8.2	13.6	23.8	8.2	13.6	23.8	13.8

Node Compatibility:

Manufacturer	Model Number
	NP50-60-C-F-5
	180996-5107 180996-5101 180996-5102 180996-5103
	1 Channel Node, POE-LN2-1U-E 2 Channel Node, POE-LN2-2U-E 4 Channel Node, POE-LN2-4U-E

Please consult website for full warranty terms and conditions:

www.luciferlighting.com/warranty

[08012023]

3750 North PanAm Expressway

San Antonio, TX 78219 USA

[PH] +1 210 227 7329

[FAX] +1 210 227 4967

www.luciferlighting.com

LUCIFER[®]
LIGHTING COMPANY

©2023 Lucifer Lighting Company

As part of its policy of continuous research and product development, the Company reserves the right to change or withdraw specifications without prior notice.