

FRAXION® 4 SLIM

ADJUSTABLE

Fraxion4 Slim incorporates an LED, optic, and housing into a single complete unit featuring a removable baffle and trim. Conversely, Fraxion4 offers a separate housing and trim assembly.

| | |
|---------------|-------|
| PROJECT NAME: | TYPE: |
|---------------|-------|



ORDERING INFORMATION - DOWNLIGHT / HOUSING



JA8-2022 INDICATED BY SHADING

| SHAPE | TRIM | RATING | FLANGE FINISH | BAFFLE FINISH | CRI / WATTAGE PACKAGE | CCT | OPTIC (UGR) | INSTALL TYPE | CEILING THICKNESS | DRIVER | MEDIA |
|------------|---|---|--|-------------------|---|--|--------------|---|--|--|---|
| F4R Round | FAS Standard Flange | 1 Dry/Damp 2 Wet * (Suction cup provided for aim and focus) | WH White | WH White | STATIC WHITE 3.20" TALL HOUSING 80S11A 80+ CRI, 11W, Lumens Dlvd. - 1351 80S15A 80+ CRI, 15W, Lumens Dlvd. - 1681 80S21A 80+ CRI, 21W, Lumens Dlvd. - 2271 | 24 2400K* * (90+ CRI only) | 10 10° (<13) | INTEGRAL DRIVER X IC Y NIC C IC, Airtight* * (CCEA, Airtight & Title 24 compliant housing) | 1 0.50" - 1.00" T TG 0.50" - 1.00"* * (Includes adjustable housing height bracket) | DOMESTIC (120V) TR2 Philips, 2% Leading/Trailing/Triac L23 Lutron, Hi-Lume 1% 2-Wire | STANDARD MEDIA 04 Soft Focus Lens NL No Lens* *(Standard with 10° optic. Not available for Wet Location, or Airtight Housings) |
| | MAS Microflange | | AG Satin Silver | AG Satin Silver | | 30 3000K | 15 15° (<16) | | | | |
| F4S Square | TAS Trimless | BB Burnt Bronze BK Black PR Primer 00 Trimless* *(Required for trimless) CF Custom Finish* *(Consult Factory) | BB Burnt Bronze | BB Burnt Bronze | WARM DIM 3.20" TALL HOUSING 90W15A 90+ CRI, 15W Incandescent Profile: 2700K - 1800K Lumens Dlvd. - 1022 Halogen Profile: 3000K - 1800K Lumens Dlvd. - 1023 *SEE PAGE 3 FOR DETAILED WARM DIM PROFILE COMPARISON. | 35 3500K | 20 20° (<10) | * (Requires -14 WDL effects device) | * (Requires -14 WDL effects device) | UNIVERSAL (120-277V) LH1 Lutron, Hi-Lume 1% Ecosystem LP1 Lutron, Hi-Lume Premier 0.1% Ecosystem AN4 Philips Xitanium 1% 0-10V, LOG LN2 Philips Xitanium 1% 0-10V, LIN EA2 eldoLED, SOL0drive 0.1% 0-10V, LOG LA2 eldoLED, SOL0drive 0.1% 0-10V, LIN ED1 eldoLED, SOL0drive 0.1% DALI-2, LOG AS1 / Athena Control eldoLED, SOL0drive 0.1%* ASR eldoLED, SOL0drive 0.1%* *(Includes Athena Node. Extended lead time, consult factory. ASR includes shunt) CS1 / Casambi Control eldoLED, SOL0drive 0.1%* CSR eldoLED, SOL0drive 0.1%* *(Includes Casambi Node. Extended lead time, consult factory. CSR includes shunt) | ALTERNATE MEDIA 03 Clear Glass Lens* *(Not available for Warm Dim) 05 Frosted Glass Lens 08 Frosted Soft Focus Lens 14 Wide Distribution Lens* *(Required and only available for 85° beam spread) 26 Frosted Linear Spread Lens 28 Adjustable Honeycomb Louver and Soft Focus Lens* *(Not available with 60° optic, Wet location, or Airtight Housings) |
| | MAT Microflange Transitional Baffle | | BK Black | BK Black | | 40 4000K | 25 25° (<13) | | | | |
| | FAT Standard Flange Transitional Baffle | | PR Primer | PR Primer | | 90S11A 90+ CRI, 11W, Lumens Dlvd. - 1444 | 20 20° (<10) | | | | |
| | TAT Trimless Transitional Baffle | | 00 Trimless* | 00 Trimless* | | 90S15A 90+ CRI, 15W, Lumens Dlvd. - 1951 | 25 25° (<10) | | | | |
| | | | CF Custom Finish* | CF Custom Finish* | | 97S11A 97+ CRI, 11W, Lumens Dlvd. - 1019 | 40 40° (<10) | | | | |
| | | | | | | 97S15A 97+ CRI, 15W, Lumens Dlvd. - 1268 | 60 60° (<13) | | | | |
| | | | 97S21A 97+ CRI, 21W, Lumens Dlvd. - 1713 | 85 85° (>19) | | | | | | | |
| | | | | TH 5000K - 2700K | 15 15° (<13) | | | | | | |
| | | | | TR 4000K - 1800K | 20 20° (<10) | | | | | | |
| | | | | | 25 25° (<10) | | | | | | |
| | | | | | 40 40° (<10) | | | | | | |
| | | | | | 60 60° (<10) | | | | | | |
| | | | | | 85 85° (>19) | | | | | | |
| | | | | | * (Requires -14 WDL effects device) | | | | | | |
| | | | | | SEE PAGE 3 FOR UGR RATINGS | | | | | | |



LUMEN DELIVERED OUTPUTS AND T24 COMPLIANCE REFLECT 3000K PAIRED WITH 25° OPTIC AND SOFT FOCUS LENS

PART NUMBER NOTES

- Housing and trim ship as e.g., F4RMAS1-WHWH-90S15A2-3X1-AN4



FRAXION4SLIM ADJUSTABLE

ACCESSORIES

ROUND ALTERNATE MEDIA

Dry/Damp location only.
Wet location requires alternate baffle.

- CGL-F4R** Clear Glass Lens*
*(Not available for Warm Dim)
- FGL-F4R** Frosted Glass Lens
- SFL-F4R** Soft Focus Lens
- FSFL-F4R** Frosted Soft Focus Lens
- WDL-F4R** Wide Distribution Lens*
*(Required and only available for 85° beam spread)
- FLSL-F4R** Frosted Linear Spread Lens

SQUARE ALTERNATE MEDIA

Dry/Damp location only.
Wet location requires alternate baffle.

- CGL-F4S** Clear Glass Lens*
*(Not available for Warm Dim)
- FGL-F4S** Frosted Glass Lens
- SFL-F4S** Soft Focus Lens
- FSFL-F4S** Frosted Soft Focus Lens
- WDL-F4S** Wide Distribution Lens*
*(Required and only available for 85° beam spread)
- FLSL-F4S** Frosted Linear Spread Lens

ADJUSTABLE HCL ASSEMBLY

Dry / Damp location only.

- OLR-F4RS1-SFL-HCL** Adjustable Honeycomb Louver and Soft Focus Lens*
*(Not available for 60° optic, or Airtight housings)

REPLACEMENT BAFFLE ASSEMBLY (INCLUDES MEDIA)

| ASSEMBLY | SHAPE | TRIM | RATING | FLANGE FINISH | MEDIA |
|-----------------------------|-------------------|--|-----------------------|--|--|
| RBA | | | | - 1 - | |
| REPLACEMENT BAFFLE ASSEMBLY | F4R Round | FAS Standard Flange MAS Microflange TAS Trimless | 1 Dry / Damp 2 Wet | WH White BK Black PR Primer AU Cashmere Gold AG Satin Silver BB Burnt Bronze CF Custom Finish * *(Consult Factory) | Leave blank for standard Soft Focus Lens |
| | F4S Square | FAS Standard Flange MAS Microflange TAS Trimless FAT Standard Flange Transitional Baffle MAT Microflange Transitional Baffle TAT Trimless Transitional Baffle | | | CGL Clear Glass Lens * *(Not available for Warm Dim) FGL Frosted Glass Lens FSFL Frosted Soft Focus Lens WDL Wide Distribution Lens* *(Required and only available for 85° beam spread) FLSL Frosted Linear Spread Lens |

REPLACEMENT OPTICS

Interchangeable optics accessible through fixture aperture.

STATIC WHITE

- RO-70-15-S** 15° optic
- RO-70-20-S** 20° optic
- RO-70-25-S** 25° optic
- RO-70-40-S** 40° optic
- RO-70-60-S** 60° optic

WARM DIM

- RO-70-20-W** 20° optic
- RO-70-25-W** 25° optic
- RO-70-40-W** 40° optic
- RO-70-60-W** 60° optic

TUNABLE WHITE

- RO-70-15-T** 15° optic
- RO-70-20-T** 20° optic
- RO-70-25-T** 25° optic
- RO-70-40-T** 40° optic
- RO-70-60-T** 60° optic

REPLACEMENT SUCTION TOOL

One included with every six fixtures designated Wet location.

- F4-TOOL-SUCTION** Allows for removal of baffle with Wet location

T-GRID ACCESSORY KIT

Supplied with ceiling thickness "T" and recommended for installations in T-Grid up to 1.5" tall. Available for ceiling thicknesses from 0.5" - 1.0".

- DHA-TG-KIT**

FURRING CHANNEL ACCESSORY KIT

Recommended for installations in furring channel. Available for ceiling thicknesses from 0.5" - 1.0".

- DHA-FC-KIT**

HANGER BAR EXTENDER KIT

Extends hanger bars from 24.0" to 46.0" maximum.

- FRX-HBE-46** Extender, Hanger Bar

EMERGENCY LIGHTING - REMOTE MOUNT ONLY

During disruption of main power, emergency battery inverter provides temporary 120V or 277V to fixture.

- EMB-S-25-120/277-LEDX** 25 watt max capacity, 120 or 277 VAC 60Hz, Non-Dimmable
- EMB-S-100-120-LEDX** 100 watt max capacity, 120 VAC 60Hz, 0-10V Dimmable
- EMB-S-100-277-LEDX** 100 watt max capacity, 277 VAC 60Hz, 0-10V Dimmable
- EMB-S-250-120/277-LEDX** 250 watt max capacity, 120 or 277 VAC 60Hz, 0-10V Dimmable

***SHUNT REQUIRED FOR USE WITH ATHENA AND CASAMBI CONTROLS, CONSULT FACTORY FOR DETAILS.**

FRAXION4 SLIM ADJUSTABLE

PERFORMANCE - 3000K

24 JA8-2022 INDICATED BY SHADING

| PACKAGE | WATTS | 10° OPTIC NO LENS | | 15° OPTIC SOFT FOCUS LENS | | 20° OPTIC SOFT FOCUS LENS | | 25° OPTIC SOFT FOCUS LENS | | 40° OPTIC SOFT FOCUS LENS | | 60° OPTIC SOFT FOCUS LENS | | 85° OPTIC WIDE DISTRIBUTION | |
|---------------------|-------|-------------------|-----|---------------------------|-----|---------------------------|-----|---------------------------|-----|---------------------------|-----|---------------------------|-----|-----------------------------|-----|
| | | DLVD. | LPW | DLVD. | LPW | DLVD. | LPW | DLVD. | LPW | DLVD. | LPW | DLVD. | LPW | DLVD. | LPW |
| 80S11A | 11 | - | - | 1194 | 109 | 1255 | 114 | 1351 | 123 | 1246 | 113 | 1122 | 102 | 961 | 87 |
| 80S15A | 15 | 1389 | 126 | 1609 | 107 | 1689 | 113 | 1681 | 112 | 1612 | 107 | 1495 | 100 | 1296 | 86 |
| 80S21A | 21 | - | - | 2228 | 106 | 2264 | 108 | 2271 | 108 | 2179 | 104 | 2020 | 96 | 1762 | 84 |
| 90S11A | 11 | - | - | 1026 | 93 | 1078 | 98 | 1161 | 106 | 1070 | 97 | 964 | 88 | 826 | 75 |
| 90S15A | 15 | 1197 | 109 | 1382 | 92 | 1451 | 97 | 1444 | 96 | 1385 | 92 | 1284 | 86 | 1113 | 74 |
| 90S21A | 21 | - | - | 1914 | 91 | 1945 | 93 | 1951 | 93 | 1872 | 89 | 1735 | 83 | 1514 | 72 |
| 97S11A | 11 | - | - | 901 | 82 | 946 | 86 | 1019 | 93 | 939 | 85 | 846 | 77 | 725 | 66 |
| 97S15A | 15 | 1033 | 94 | 1213 | 81 | 1274 | 85 | 1268 | 85 | 1216 | 81 | 1127 | 75 | 977 | 65 |
| 97S21A | 21 | - | - | 1680 | 80 | 1708 | 81 | 1713 | 82 | 1644 | 78 | 1523 | 73 | 1329 | 63 |
| 90W15A (WL 27K-18K) | 15 | - | - | - | - | 1055 | 70 | 1022 | 68 | 1001 | 67 | 949 | 63 | 851 | 57 |
| 90W15A (WD 30K-18K) | 15 | - | - | - | - | 1056 | 70 | 1023 | 68 | 1007 | 67 | 957 | 64 | 858 | 57 |
| 90T15B (40K-18K) | 15 | - | - | 1203 | 80 | 1267 | 84 | 1247 | 83 | 1191 | 79 | 1122 | 75 | 969 | 65 |
| 90T15B (50K-27K) | 15 | - | - | 1192 | 79 | 1256 | 84 | 1236 | 82 | 1180 | 79 | 1112 | 74 | 960 | 64 |
| 90T22B (40K-18K) | 22 | - | - | 1664 | 76 | 1752 | 80 | 1710 | 78 | 1651 | 75 | 1574 | 72 | 1351 | 61 |
| 90T22B (50K-27K) | 22 | - | - | 1649 | 75 | 1736 | 79 | 1695 | 77 | 1636 | 74 | 1560 | 71 | 1339 | 61 |

OUTPUT MULTIPLIER

| CCT | CCT SCALE |
|-------|-----------|
| 2400K | 0.85 |
| 2700K | 0.97 |
| 3000K | 1.00 |
| 3500K | 1.03 |
| 4000K | 1.08 |

MEDIA LIGHT LOSS FACTOR

| MEDIA | LIGHT LOSS FACTOR |
|---------|-------------------|
| NO LENS | 1.06 |
| CGL | 1.00 |
| SFL | 1.00 |
| FGL | 0.89 |
| FSFL | 0.81 |
| FLSL | 0.82 |
| HCL | 0.73 |

TUNABLE WHITE MULTIPLIER

| CCT | 5000K-2700K | 4000K-1800K |
|-------|-------------|-------------|
| 5000K | 1.16 | - |
| 4000K | 1.08 | 1.14 |
| 3500K | 1.04 | 1.07 |
| 3000K | 1.00 | 1.00 |
| 2700K | 0.96 | 0.92 |
| 2400K | - | 0.84 |
| 1800K | - | 0.69 |

UNIFIED GLARE RATING

| 10° OPTIC NO LENS | 15° OPTIC SOFT FOCUS LENS | 20° OPTIC SOFT FOCUS LENS | 25° OPTIC SOFT FOCUS LENS | 40° OPTIC SOFT FOCUS LENS | 60° OPTIC SOFT FOCUS LENS | 85° OPTIC WIDE DISTRIBUTION |
|-------------------|---------------------------|---------------------------|---------------------------|---------------------------|---------------------------|-----------------------------|
| <13 | <16 | <13 | <13 | <13 | <13 | >19 |

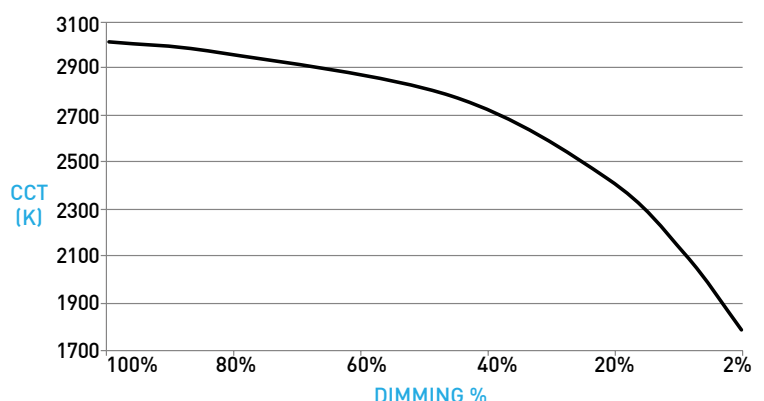
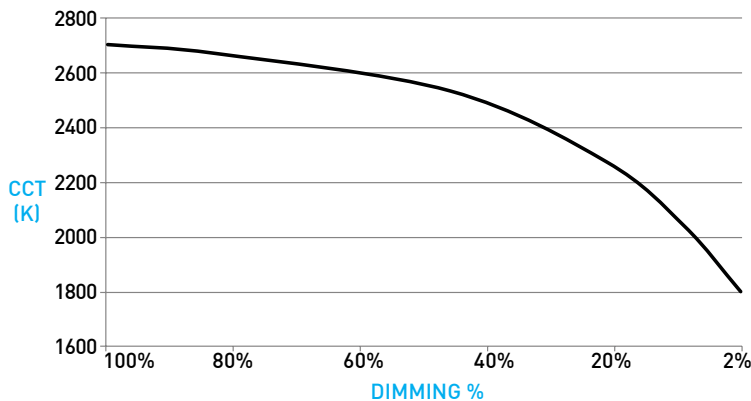
WARM DIM PERFORMANCE - 25° OPTIC - SOFT FOCUS LENS

WARM DIM TO MIRROR INCANDESCENT DIMMING PROFILE

| WL 2700K - 1800K | Full on 100% | Dimmed to 80% | Dimmed to 70% | Dimmed to 50% | Dimmed to 20% | Dimmed to 10% | Dimmed to 2% |
|-------------------|--------------|---------------|---------------|---------------|---------------|---------------|--------------|
| CCT (K) | 2700 | 2650 | 2620 | 2520 | 2180 | 1950 | 1800 |
| Light Output (Lm) | 1022 | 817 | 715 | 511 | 204 | 102 | 20 |
| Power (W) | 15 | 12 | 10.5 | 7.5 | 3 | 1.5 | .3 |
| Efficacy (LPW) | 68 | 68 | 68 | 68 | 68 | 68 | 68 |

HALOGEN WARM DIM PROFILE

| WD 3000K - 1800K | Full on 100% | Dimmed to 80% | Dimmed to 70% | Dimmed to 50% | Dimmed to 20% | Dimmed to 10% | Dimmed to 2% |
|-------------------|--------------|---------------|---------------|---------------|---------------|---------------|--------------|
| CCT (K) | 3000 | 2950 | 2920 | 2775 | 2375 | 2000 | 1800 |
| Light Output (Lm) | 1023 | 818 | 716 | 511 | 204 | 102 | 20 |
| Power (W) | 15 | 12 | 10.5 | 7.5 | 3 | 1.5 | .3 |
| Efficacy (LPW) | 68 | 68 | 68 | 68 | 68 | 68 | 68 |



FRAXION4SLIM ADJUSTABLE

DOWNLIGHT / HOUSING

A ADJUSTABILITY

Aiming mechanism is integral to the housing, providing hot-aim tilt up to 40° and 365° rotation. Sliding pivot point optimizes center beam, ensuring unclipped beam of 15° at 40° tilt and 25° at 30° tilt. 1° tilt increments with 5° indicators, tilt guide included (see **A1** for section view).

B LED

Integral LED module design enables field service / replacement through housing aperture.

C OPTIC

Robust light engine with optimized optic pairing integrates Reflection, Refraction and TIR offering 10°, 15°, 20°, 25°, 40° & 60° beams.

D1 STANDARD FLANGE PROFILE

Installed after ceiling is complete. Requires 4.625" diameter cutout. Provides 0.86" total contractor (goof) allowance with 0.50" flange. Thickness measures 0.06". Wet location features integral silicone gasket.

D2 MICROFLANGE PROFILE

Installed after ceiling is complete. Requires 4.625" diameter cutout. Provides 0.42" total contractor (goof) allowance with 0.28" flange. Thickness measures 0.06". Wet location features integral silicone gasket.

D3 TRIMLESS PROFILE

Installs totally flush with the ceiling with no visible trim. Appliqué includes screws for mounting and has 0.06" plaster stop. Not recommended for stucco applications.

E MEDIA

Soft focus lens included and sealed in Wet location option. Fixture is limited to 1 media. Suction tool provided for removal of wet location baffles.

E1 ADJUSTABLE HCL ASSEMBLY

Honeycomb Louver and Soft Focus Lens attach directly to optic with clip-on lens retainer and adjusts with fixture. Only compatible with no lens baffle. Dry/Damp locations only.

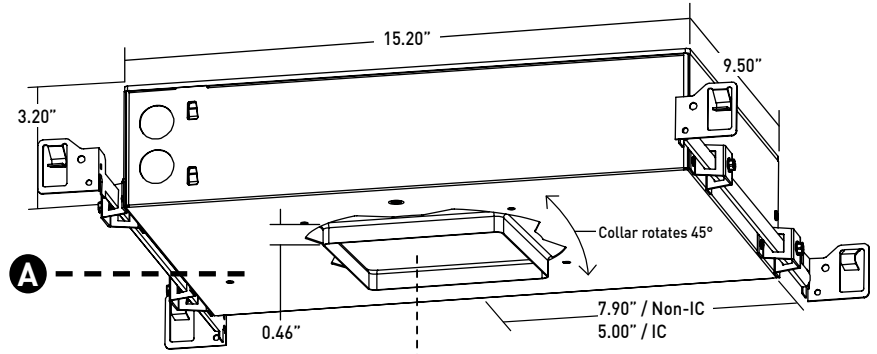
F1 ROUND BAFFLE

Die-cast removable baffle provides easy access to tilting mechanism and features 72° glare cutoff. Minimizes aperture glare and conceals view into housing; includes silicone gasket.

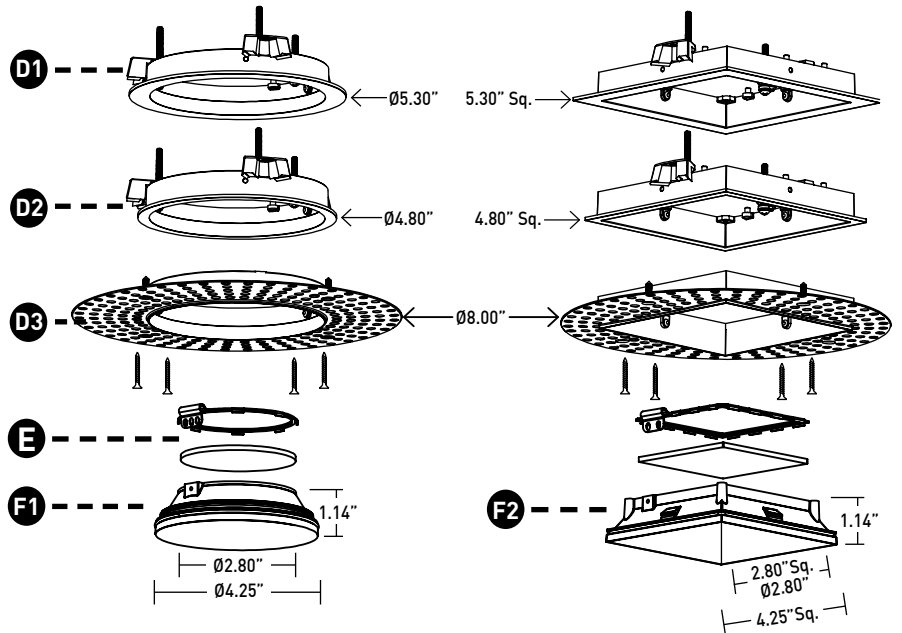
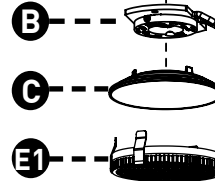
F2 SQUARE / TRANSITIONAL BAFFLE

Die-cast removable baffle provides easy access to tilting mechanism and features 72° glare cutoff. Minimizes aperture glare and conceals view into housing; includes silicone gasket. Transitional baffle transitions from square aperture at ceiling plane to round aperture at light source.

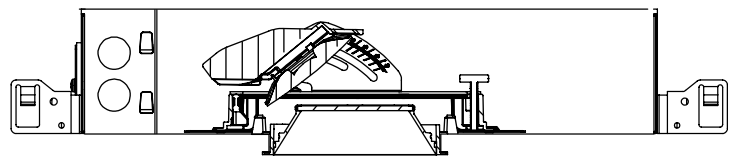
DIMENSIONS / DRAWINGS



NOTE: Square housing shown, housing will feature round aperture for round fixtures.



SECTION VIEW



FRAXION4SLIM ADJUSTABLE

DOWNLIGHT / HOUSING

- G TRIMLESS APPLIQUÉ DETAIL**
Integrated appliqué for plaster floating directly to baffle.
- H TG BRACKET ASSEMBLY**
Adjustable height bracket assembly provided with ceiling thickness "T" and recommended for installations in T-Grid and with furring channel. Hanger bars are installed to adjustable bracket. Allows housing to be raised and lowered; ceiling thickness remains 0.5" to 1.0" max.
- I IC HOUSING**
 - For IC ceilings.
 - CCEA, Airtight and Title 24 (JA8) listed.
 - Accommodates max 2271 delivered lumens.
 - No setback from polycell spray foam insulation having max R-Value of 60 on all sides and top of housing.
- J NIC HOUSING**
 - Minimum 0.50" setback from combustible and non-combustible materials on all sides and top of housing.
 - Minimum 3.00" setback from insulation material having max R-Value 30 on all sides and top of housing.
 - Minimum 6.00" setback from polycell spray foam insulation having max R-Value 60.
- K ATHENA / CASAMBI CONTROL**
Controls integrated into housing assembly. All equipment is serviceable.

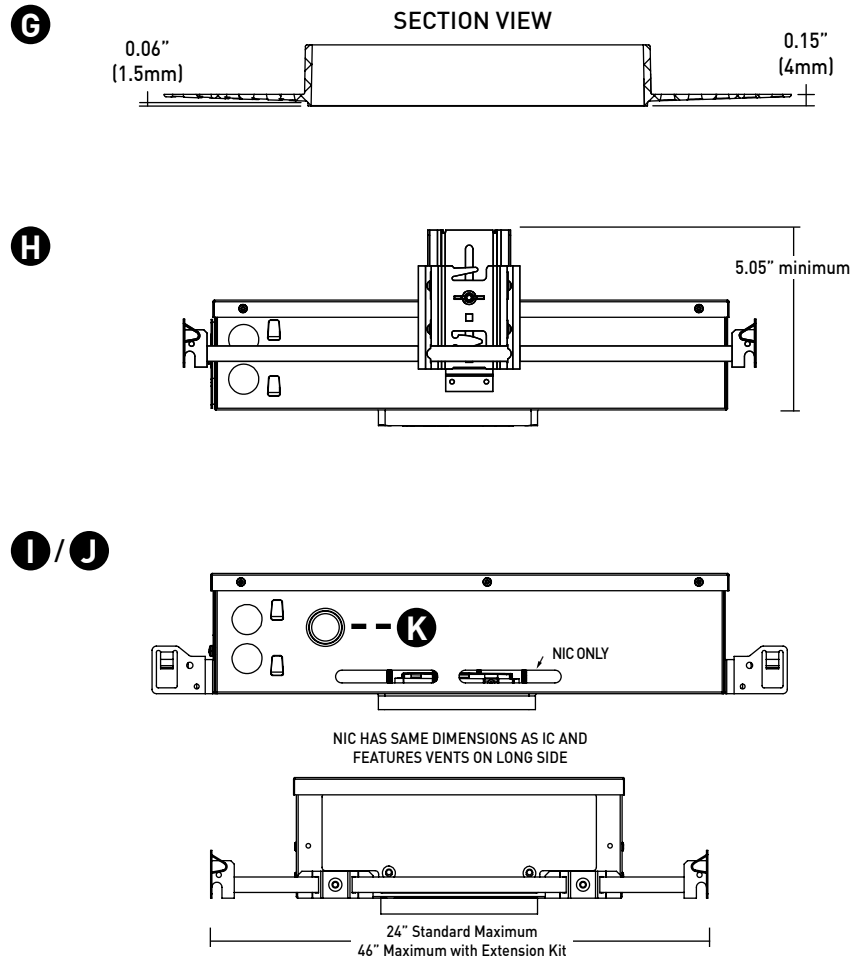
Athena Model Numbers: A-WN-D01-RF-BL & DFC-OEM-DBI

Casambi Model Number: BT-S1E1-5400

HOUSING NOTES

- Do not install in environments where ambient temperatures exceed 40°C (104°F) for NIC configurations, or 11W, 13W, and 15W IC configurations.
- Do not install in environments where ambient temperatures exceed 25°C (77°F) 21W and 23W IC configurations.
- Power supply compartment and all splice connections may be serviced from room side.
- Consult factory for spacing requirements for any installations exceeding R-Value 60.
- Hanger bars fitted to short side of housing; extend from 14.0" to 24.0", but may be field cut to accommodate narrow stud spacing. Can be extended up to 46" maximum with FRX-HBE-46 kit.
- Hanger bars and brackets add 4.00" to the overall dimension, but are exclusive of the setback requirements.
- Housings for round trims feature a round aperture housing collar, and for square trims, a square housing collar, accommodating ceiling thicknesses between 0.50" and 1.00".

DIMENSIONS / DRAWINGS



FRAXION4SLIM ADJUSTABLE

REMOTE POWER SUPPLY

- L** REMOTE POWER SUPPLY
 - Provided with install Types "V", "W" and "D".
 - Requires plenum rated Class 2 cable between fixture and remote driver. Cable supplied by others.
 - See page 7 for maximum allowable wiring distance.
 - Must be installed in an accessible location
 - Do not install in environments where ambient temperatures exceed 40°C (104°F).

- M** ATHENA / CASAMBI CONTROL
 - Controls integrated into remote driver assembly. All equipment is serviceable.

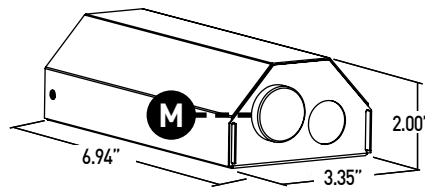
Athena Model Numbers: A-WN-D01-RF-BL & DFC-OEM-DBI

Casambi Model Number: BT-S1E1-5400

- N** ATHENA / CASAMBI EM SHUNT
 - Included with drivers specified as ASR, ATR, CSR, or CTR. One required for each wireless EM fixture, requires class 2 control wiring between fixture and shunt. Features integrated test switch.

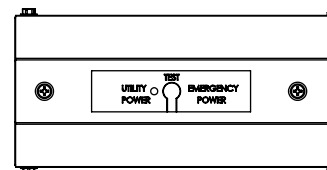
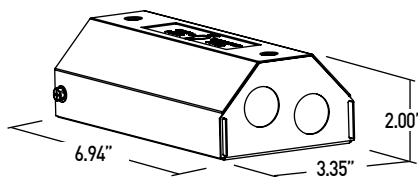
Model Number: PS-RMT-SHUNT

L



N

ATHENA / CASAMBI
EM SHUNT



FRAXION4 SLIM ADJUSTABLE

TECHNICAL

CONSTRUCTION

Downlight: Painted finishes are granulated powder coat.

Housing: Aluminum and 22 Gauge galvanized steel. Extruded aluminum housing panel to act as heat-sink.

Remote Power Supply: 22 Gauge galvanized steel.

Appliqué: Zinc Alloy

STATIC WHITE LED

2-step MacAdam ellipse LED module available in 80+, 90+ and 97+ CRI configurations in color temperatures of 2700K, 3000K, 3500K and 4000K. 3-step MacAdam ellipse LED module available in 90+ CRI configuration in color temperature of 2400K. Average rated lamp life of 50,000 hours. LED and driver assemblies are field-replaceable.

WARM DIM LED

3-step MacAdam ellipse warm dim LED module available in 90+ CRI configuration. 3000K or 2700K at full brightness, warming to 1800K at full dim. Average rated lamp life of 50,000 hours. LED and driver assemblies are field-replaceable.

TUNABLE WHITE LED

3-step MacAdam ellipse tunable white LED module available in 90+ CRI configuration. Features tuning ranges of 1800K to 4000K and 2700K to 5000K. Average rated lamp life of 50,000 hours. LED and driver assemblies are field-replaceable.

POWER SUPPLY PERFORMANCE AND DIMMING INFORMATION

| | ELV | | ECO | | 0-10V | | | | | | DALI-2 | | | ATHENA | | CASAMBI | |
|--------------|--------|-------|-------|-------|--------|--------|--------|--------|--------|--------|--------|--------|--------|--------|-------|---------|--------|
| Power Supply | TR2 | L23 | LH1 | LP1 | AN4 | LN2 | EA2 | LA2 | DL1 | DG1 | ED1 | LD1 | DD1 | AS | AD | CS | CD |
| Minimum °C | -20 °C | 0 °C | 0 °C | 0 °C | -20 °C | -20 °C | -20 °C | -20 °C | -20 °C | -20 °C | -20 °C | -20 °C | -20 °C | 0 °C | 0 °C | -20 °C | -20 °C |
| Maximum °C | 40 °C | 40 °C | 40 °C | 40 °C | 40 °C | 40 °C | 40 °C | 40 °C | 40 °C | 40 °C | 40 °C | 40 °C | 40 °C | 40 °C | 40 °C | 40 °C | 40 °C |
| Dimming % | 2.0% | 1.0% | 1.0% | 0.1% | 1.0% | 1.0% | 0.1% | 0.1% | 0.1% | 0.1% | 0.1% | 0.1% | 0.1% | 0.1% | 0.1% | 0.1% | 0.1% |

Note: For TR2, L23, LH1, LP1, AN4, EA2 and LA2 drivers consult chart on page 8 to confirm appropriate dimming curve for compatibility with selected control.

MAXIMUM ALLOWABLE REMOTE DRIVER WIRING DISTANCES

| DRIVER | WIRE AWG | | | | |
|---|----------|------|------|-----|-----|
| | 12 | 14 | 16 | 18 | 20 |
| TR2, AN4, LN2 | 285' | 180' | 113' | 71' | 45' |
| L23, LH1, LP1 | 60' | 40' | 25' | 15' | - |
| EA2, LA2, ED1, LD1, DG1, DL1, DD1, AS, AD, CS, CD | - | - | 118' | 72' | 46' |

LISTING

cTUVus listed to UL1598 standard for Dry / Damp and Wet locations.

CCEA, Airtight and Title 24 JA8-2022 Listed.

NEMA 410 Compliant.

U.S. Patent: 10,317,066

BUY AMERICAN ACT

All Fraxion4 SLIM Adjustable configurations are Buy American Act compliant.

DECLARE

LBC Red List Approved.

WEIGHT

Fixture - 8.8lbs max

Remote Driver - 1.4 lbs

LIMITED WARRANTY

Manufacturer's Limited Warranty guarantees product(s) listed to be free from defects in material and workmanship under normal use and service for 1-year. LED and power supplies are warranted to operate with 70% of original flux and remain within a range of 3 duv for a period of 5-years.

10-year Lutron Advantage limited warranty available on Lutron equipped systems. Warranty period begins from the date of shipment by Seller.

Consult website for full warranty terms and conditions.

CHANGE LOG

1. 10/17/2022: REMOVED 90W13A 3200K-1800K WARM DIM AND ADDED 90W12A 3000K-1800K WARM DIM.

2. 04/26/2023: ADDED DECLARE LBC RED LIST APPROVED.

3. 08/08/2023: ADDED NEW LED AND OPTIC SYSTEM.

4. 02/08/2024: ADDED ATHENA AND CASAMBI CONTROL OFFERING, 2400K, AND WARM PROFILE TUNABLE WHITE.



FRAXION4 SLIM ADJUSTABLE

DIMMING COMPATIBILITY

PHILIPS DRIVER COMPATIBILITY

| Power supply TR2 Manufacturer | Family/Model # |
|---|-----------------------|
| Lutron Electronics | DV-600P |
| Lutron Electronics | DVELV-303P |
| Lutron Electronics | NTELV-600 |
| Lutron Electronics | MAELV-600 |
| Lutron Electronics | SELV-300P |
| Lutron Electronics | DVLV-600P |
| Lutron Electronics | NFTU-5A |
| Lutron Electronics | CTCL-153P |
| Lutron Electronics | GL-600H |
| Lutron Electronics | S-600P |
| Lutron Electronics | PHPM |
| Power supply AN4 Manufacturer | Family/Model # |
| Lutron Electronics | DVTV plus PP-DV |
| Lutron Electronics | DVSCTV plus PP-DV |
| Lutron Electronics | DVSTV |
| Lutron Electronics | DVSCSTV |
| Lutron Electronics | QSGRJ-XP plus GRX-TVI |
| Lutron Electronics | QSGRJ-XE plus GRX-TVI |
| Lutron Electronics | QSGR-XE plus GRX-TVI |
| Lutron Electronics | NFTV plus PP-DV |
| Lutron Electronics | NTSTV |
| Lutron Electronics | RMJ-5T |
| Lutron Electronics | RMJS-8T |
| Lutron Electronics | FCJS-010 |
| Leviton | IlumaTch IP7 series |
| Philips | Sunrise - SR1200ZTUNV |

LUTRON DRIVER COMPATIBILITY

| Power supply L23 Lutron Product Family | Part No. |
|---|-------------------------------|
| Maestro WirelessR 600 W dimmer | MRF2-6ND-120- |
| Maestro WirelessR 1000 W dimmer | MRF2-10ND-120- |
| Caséta® Wireless Pro 1000 W dimmer | PD-10NXD- |
| GRAFIK T™ CL® dimmer | GT-250M-GTJ-250M- |
| HomeWorks® QS adaptive dimmer | HQRD-6NA- |
| HomeWorks® QS 600 W dimmer | HQRD-6ND- |
| HomeWorks® QS 1000 W dimmer | HQRD-10ND- |
| RadioRA® 2 adaptive dimmer | RRD-6NA- |
| RadioRA® 2 1000 W dimmer | RRD-10ND |
| myRoom™ DIN power module | MQSE-4A1-D |
| HomeWorks® QS DIN power module | LQSE-4A1-D |
| HomeWorks® QS wallbox power module | HQRJ-WPM-6D-120 |
| HomeWorks® wallbox power module | HWI-WPM-6D-120 |
| GRAFIK Eye® QS control unit | QSGR-, QSGRJ- |
| GRAFIK Eye® 3000 control unit | GRX-3100-GRX-3500- |
| RPM-4U module (LCP, HomeWorks® QS, GRAFIK Systems™, Quantum®) | HW-RPM-4U-120 LP-RPM-4U-120 |
| RPM-4A module (LCP, HomeWorks® QS, GRAFIK Systems™, Quantum®) | HW-RPM-4A-120, LP-RPM-4A-120 |
| GP dimming panels | Various |
| Ariadni CL 250W dimmer | AYCL-253P- |
| Diva CL 250W dimmer | DVCL-253P-DCSCCL-253P- |
| Nova T CL 250W dimmer | NTCL-250- |
| Power supply LH1 & LP1 Lutron Product Family | Part No. |
| PowPak Dimming Modules | RMJ-ECO32-DV-B |
| PowPak Dimming Modules | FCJ/FCJS-ECO |
| Energi Savr Nodes | QSN-1ECO-S |
| GRAFIK Eye QS control unit | QSN-2ECO-S |
| Homeworks QS control unit | QSGRJ- _E (wireless) QSGR- _E |
| Quantum Hub | QP2-__ 2C |
| Quantum Hub | QP2-__ 4C |
| Quantum Hub | QP2-__ 6C |
| Quantum Hub | QP2-__ 8C |
| Homeworks QS power module | LQSE-2ECO-D |
| myRoom Plus power module | |

eldoLED DRIVER COMPATIBILITY

| Power supply EA2 Manufacturer | Family/Model # |
|---|--------------------------------|
| Busch-Jaeger | 2112U-101 |
| Jung | 240-10 |
| Leviton Lighting Controls | IP710-DLX |
| Lightolier Controls | ZP600FAM120 |
| Merten | 5729 |
| Pass & Seymour | CD4FB-W |
| The Watt Stopper | DCLV1 |
| Synergy | ISD BC |
| Crestron® | GLX-DIMFLV8 |
| Crestron® | GLXP-DIMFLV8 |
| Crestron® | GLPAC-DIMFLV4-* |
| Crestron® | GLPAC-DIMFLV8-* |
| Crestron® | GLPP-DIMFLVEX-PM |
| Crestron® | GLPP-1DIMFLV2EX-PM |
| Crestron® | GLPP-1DIMFLV3EX-PM |
| Crestron® | DIN-A08 |
| Crestron® | DIN-4DIMFLV4 |
| Crestron® | CLS-EXP-DIMFLV |
| Crestron® | CLCI-1DIMFLV2EX |
| Power supply LA2 Manufacturer | Family/Model # |
| Lutron Electronics | Nova T® - NTFTV |
| Lutron Electronics | Diva® - DVTV |
| Lutron Electronics | Nova® - NFTV |
| Lutron Electronics | GrafixEye® GRX-TVI w GRX3503 |
| Lutron Electronics | Energy Savr Node™ - QSN-4T16-S |
| Lutron Electronics | TVM2 Module |
| Sensor Switch | nIO EZ |
| ABB | SD/S 2.16.1 |

ANALOG DRIVERS AND DIMMERS

