

FRAXION® 4 IC / NON-IC / REMODEL

RECESSED LED DOWNLIGHT HOUSINGS AND TRIMS

INSTALLATION

Before beginning any DOWNLIGHT installation, disconnect electrical power at main switch or circuit breaker.

A. CAUTION

To reduce the risk of fire, electric shock, and potential damage to recessed housing assembly when electrical power is re-connected, DO NOT ATTEMPT TO CONNECT the following on branch circuit serving recessed downlight assembly:

- Motors
- Power tools
- Extension cords
- Appliances or similar electronics

Housings to be mounted in ceiling / plenum conditions *where ambient temperatures do not exceed 40°C unless otherwise noted as 35°C on specification sheets.*

Ensure AC input voltage is protected against surges & load shifts prior to power supply input.

B. SAFETY INSTRUCTIONS

1. Read installation instructions completely before attempting installation.
2. Failure to follow instructions may result in improper installation and void warranty.
3. Contact Lucifer Lighting Company with any questions or concerns before beginning any installation.
4. Ensure qualified electrician will perform all electrical procedures.
5. Disconnect electrical power circuit before attempting to install recessed downlight housing or trim, or if adding to or changing configuration of downlight housing or trim assembly.

6. Install/mount recessed downlight housing on structurally sound surface.
7. Recessed downlight housings must be installed in dry or damp locations only.
8. **IC housing allows:**
Direct contact with polycell spray-in foam insulation having max R-Value of 60 allowed on all sides and top of housing.
9. **Non-IC housing requires:**
Minimum 1/2" (13mm) setback from combustible materials on all sides and top of housing.
Minimum 3" (76mm) setback from insulation material having max R-value of 30 on all sides and top of housing.
Minimum 6" (152mm) from polycell spray-in foam insulation having max R-Value of 60 on all sides and top of housing.
10. **Consult factory for spacing requirements for any installations exceeding R-Value of 60.**

11. [Remodel fixture requires:](#)

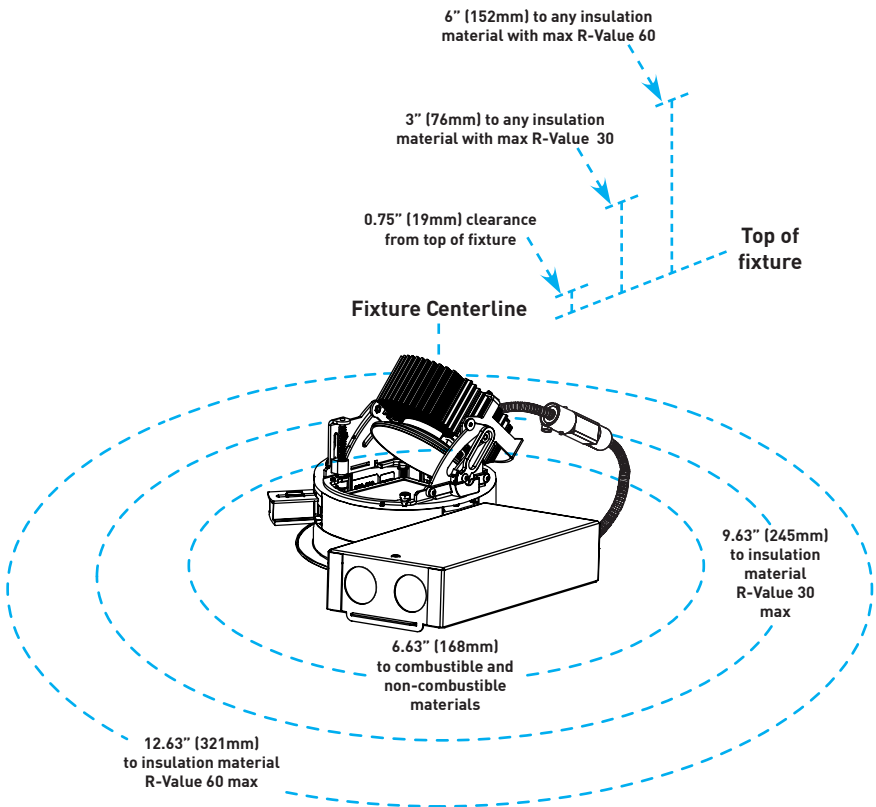
Minimum 6.63" (168mm) radius setback from combustible and non-combustible materials from fixture centerline and **0.75" (19mm)** clearance from top of trim.

Minimum 3" (76mm) clearance from surfaces of power supply / junction box, if not situated within above noted radius from fixture centerline.

Minimum additional 3" (76mm) setback from insulation material with max R-Value 30 from any surface of downlight fixture assembly.

Minimum additional 6" (152mm) setback from polycell spray foam insulation with max R-Value 60 from any surface of downlight fixture assembly.

Consult factory for spacing requirements for any installations exceeding R-Value of 60.



12. Do not attempt this installation if you do not understand these instructions.

C. HOUSING INSTALLATION

1. KEY FIXTURE COMPONENTS

Become familiar with housing, hanger bar assemblies and housing collar.

Housings provide access through housing aperture for servicing from below.

Cover plate **"Fig.1"** provides access to wiring connections prior to installation of ceiling substrate and is retained with screws.

Note: Housing lid is not removable in the field.

Housings outfitted with 0.53" fixed-depth collar for round or square fixtures for all ceiling thicknesses. Collar for square fixtures can be rotated up to 45° to ensure proper alignment. Secure collar to prevent rotation using set screw on bottom of housing **"Fig.2"**.

Remodel driver assembly features detached j-box with integral splice compartment and 6" flexible conduit with connector for joining with trim **"Fig.3"**. See Section F for remodel installations.

Remote driver assembly features integral driver with separate primary and secondary wiring compartments **"Fig.4"**.

Important: Remote driver must be mounted in accessible and serviceable area.

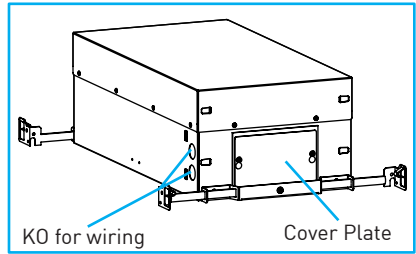


Fig.1

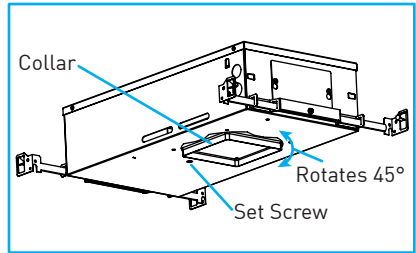


Fig.2

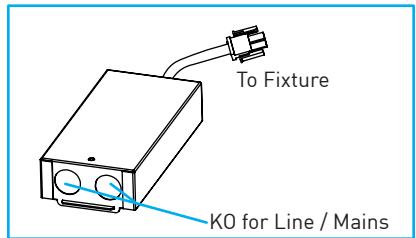


Fig.3

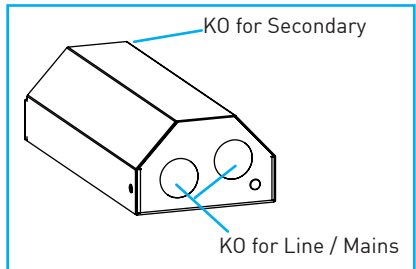


Fig.4

2. HANGER BAR ASSEMBLIES

Note: For remodel installations where traditional housing is not used, see Section D.

Hanger bars extend from 14" to 24" and mount to short axis of housing. To install hanger bars on housing, slide mating halves together, joining through mounting bracket on housing sides. Secure position with central locking screw "Fig.5".

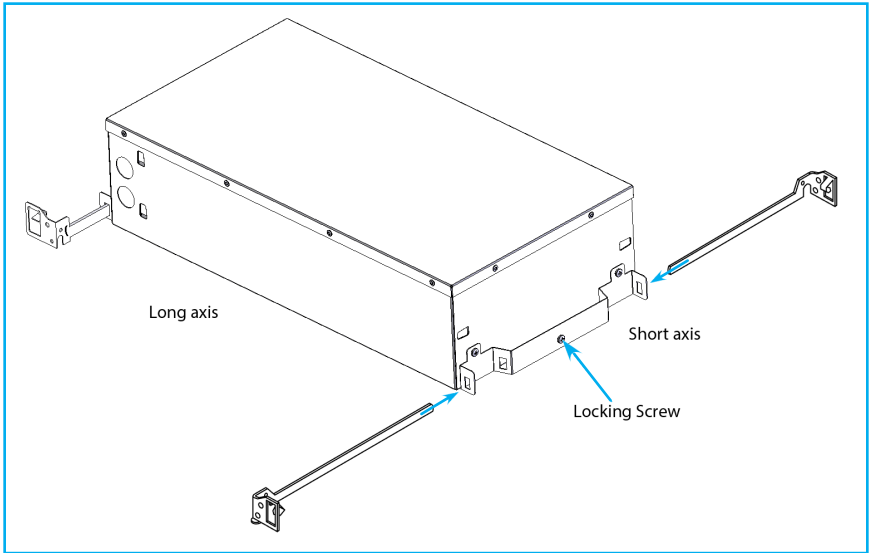


Fig.5

3. ADJUSTABLE HEIGHT ACCESSORY

Note: Adjustable height bracket ships as an accessory.

Remove mounting accessory hardware screws and lock washers "Fig.6" prior to installation. Attach brackets to housing using screws and lock washers "Fig.7" and tighten.

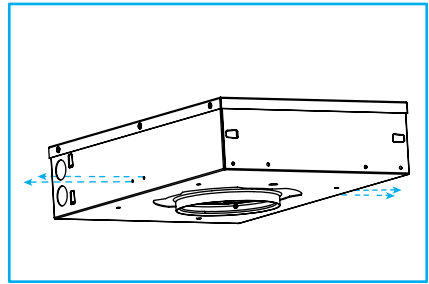


Fig.6

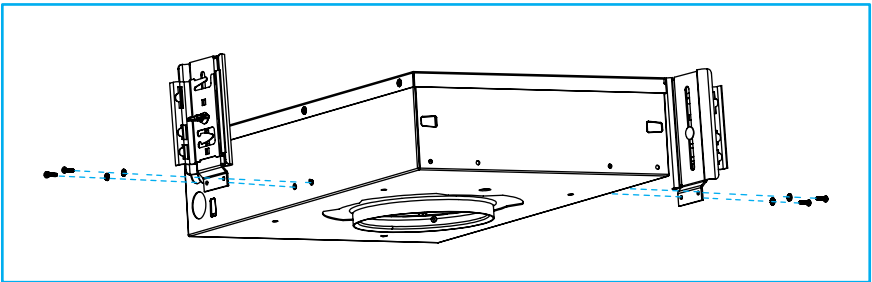


Fig.7

Hanger bars extend from 14" to 24" and mount to long axis of housing. To install hanger bars to accessory, slide mating halves together, joining through cutout of mounting bracket. Loosen wing nut on bracket and raise or lower the hanger bars as required. Tighten wing nut "Fig.8".

Note: Housing height can be adjusted after mounting is completed in step C.4.

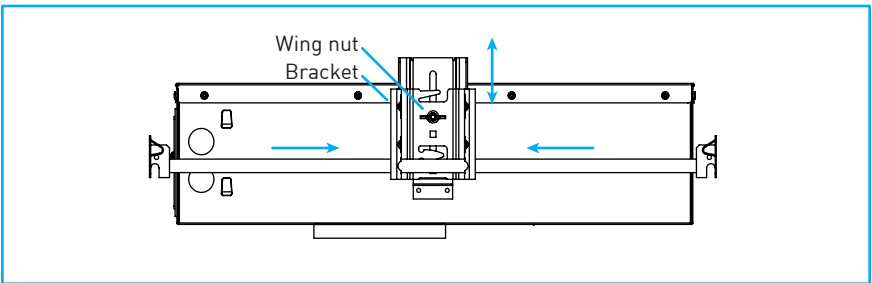


Fig.8

4. MOUNT HOUSING

Follow steps to ensure successful installation. For remodel installations, see Section "F. REMODEL APPLICATION".

General Housing Mounting Notes:

Recessed downlight housings installed in accessible and non-accessible ceilings shall be supported from the structural members of the building.

Determine specified fixture location. With hanger bars properly affixed to housing (see Section C-2), secure hanger bars to selected framing member.

Wood or Metal Studs:

Position reference tab of hanger bar foot to underside of stud "Fig.9". If wood stud, use integral nailing tab and suitable customer-supplied nails or screws to secure. If metal stud, use suitable customer-supplied screws "Fig.10".

Note: Must use two nails or screws at each of four hanger bar feet.

T-Bar Frame:

Slide hanger bar over appropriately supported T-bar frame. Lock in place as required "Fig.11".

Note: See Section "E. CEILING SUBSTRATE AND FINISH OUT" for additional instructions regarding installation of ceiling tiles.

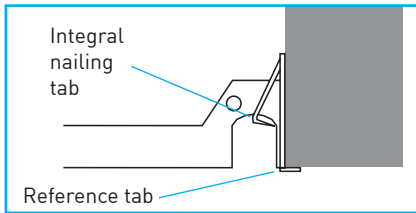


Fig.9

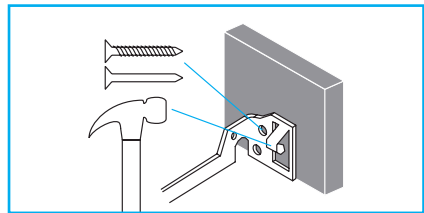


Fig.10

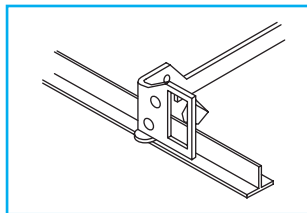


Fig.11

Verify correct housing aperture position using laser or string line, referencing edges of housing **"Fig.12"**.

Tighten hanger bar locking screw to set lateral movement, and ensure all mounting screws are securely tightened (see Section C.2).

Important: Collar must not protrude beyond ceiling plane **"Fig.13"**.

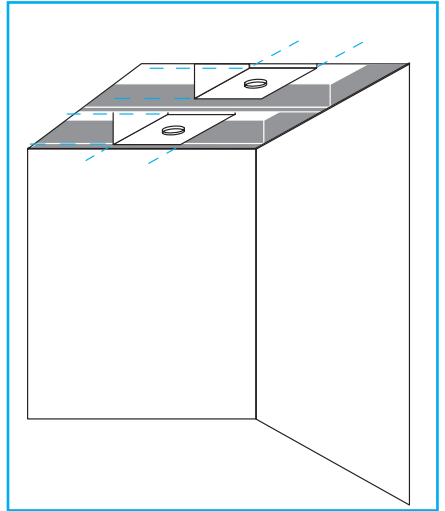


Fig.12

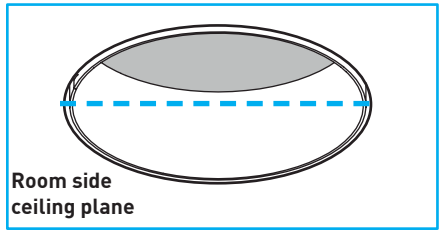


Fig.13

D. WIRING

1. GENERAL WIRING NOTES

Note: Consult Safety Instructions in Section “B. SAFETY INSTRUCTIONS” prior to commencing wiring or servicing.

The housing assembly should be installed by a registered electrician and shall comply with National Electric Code (NEC) and local codes and ordinances .

The installer is responsible for furnishing proper electrical equipment and materials for the installations of the housings as intended by these installation instructions.

Install wiring in a manner to permit access to components and splice connections which may require future service. **14” (356mm) minimum customer-furnished feed wires** must be supplied within housing to accommodate future servicing.

Metal conduit shall be used if required by applicable codes. Must use 90°C minimum supply wire only.

No part of the secondary circuit shall be grounded.

For systems that will be dimmed, consult controls manufacturer to verify control compatibility and for proper installation procedures and parameters.

2. WIRE HOUSING - UL 1598 INSTALLATIONS ONLY

To gain access to wiring compartment, loosen retaining screws and lift cover plate up and away “Fig.14”.

Feed structured building wires through knockout, secure to corresponding connector “Fig.15” and tighten strain relief.

Quick connectors provided for line / mains voltage connection: black (hot), white (common) and green (ground) “Fig.15”.

Note: Consult diagrams in Section “M. WIRING DIAGRAMS”, wiring housing in accordance with the applicable driver type and proper selection of control voltage wires. Supplied internal wiring is 18-gauge with 600V-rated insulation.

Note: Ensure wires are firmly secured and not tangled prior to moving to the next step.

Push all wires into housing and reinstall cover plate, ensuring that no wires are pinched by cover.

Important: Confirm that housing is still in the preferred position.

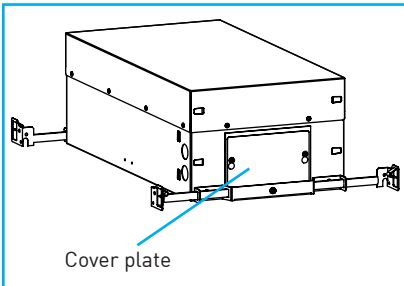


Fig.14

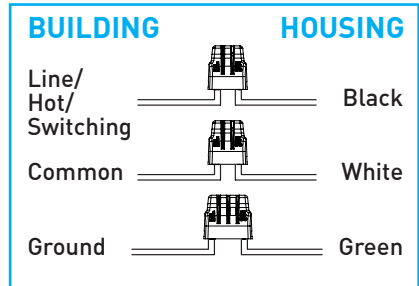


Fig.15

3. WIRE REMOTE POWER SUPPLY - UL 1598 INSTALLATIONS ONLY

Determine preferred mounting location, verifying fixture falls within maximum allowable wiring distance *"Fig.16"*.

Run adequately sized plenum rated two-pair wire between remote driver and housing or remodel fixture location, following installation guidelines for terminating as needed.

Note: Secondary wiring is polarized (+/-) and must be terminated correctly at both ends for proper operation. It is recommended to use Red (+) and Black (-) wires to avoid confusion. No part of the secondary circuit shall be grounded.

Ensure proper polarity is observed as reversed polarity may damage the unit and may void the warranty.

Access splice compartment by removing retaining screws, then tilting cover slightly back and away from base *"Fig.17"*.

Mount transformer back plate assembly to suitable substrate using customer-supplied screws *"Fig.18"*.

Insert line voltage wiring / conduit into line side of splice compartment and secondary voltage wiring / conduit into secondary side of splice compartment, utilizing appropriate strain relief or connector.

Note: Consult wiring diagrams in Section "M. WIRING DIAGRAMS" for applicable driver type.

Join structured building wires to corresponding driver wires with suitable customer-supplied wire connecting device.

Push all wires and wire connections into splice compartment and reinstall splice compartment cover by aligning tab with slot, ensuring no wires are pinched by cover. Install retaining screws.

Lutron Drivers: "L23" & "LH1"

AWG Value	18	16	14	12
Distance (m)	4.5	7.5	12	18
Distance (ft)	15	25	40	60

Philips Drivers: "TR2", "AN4" & LN2"

AWG Value	20	18	16	14	12
Distance (m)	14	22	34	55	87
Distance (ft)	45	71	113	180	285

elidoLED Drivers: "EA2", "LA2", "ED1" & "LD1"

AWG Value	20	19	18	17	16
Distance (m)	14	18	22	28	36
Distance (ft)	46	59	72	92	118

Fig.16

Min. 8" feed wires in splice compartment

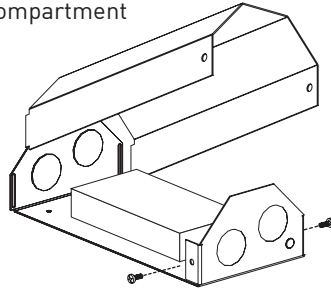


Fig.17

Hole locations may vary

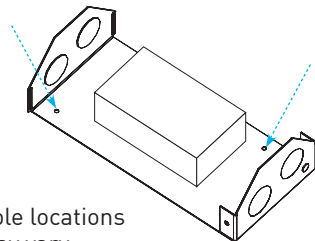


Fig.18

4. WIRE HOUSING - UL2108 INSTALLATIONS ONLY

To gain access to wiring compartment, loosen retaining screws and lift cover plate up and away "Fig.19".

Note: Supplied internal wiring is 18-gauge with 600V-rated insulation.

Feed structured building wires through knockout, secure to corresponding connector "Fig.20" and tighten strain relief.

Quick connectors provided for low voltage connection: Red (+) and Black (-) "Fig.20".

Note: Ensure wires are firmly secured and not tangled prior to moving to the next step.

Push all wires into housing and reinstall cover plate, ensuring that no wires are pinched by cover.

Important: Confirm that housing is still in the preferred position.

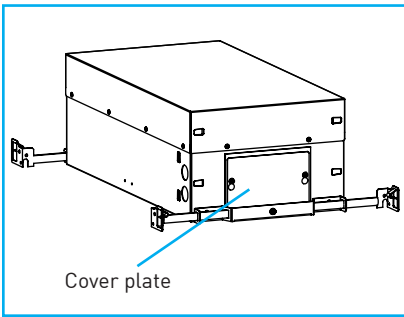


Fig.19

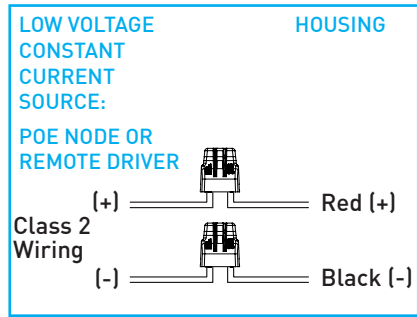


Fig.20




Drive Current Information:

	80C				90C				97C			
	12A	16A	23A	30A	10A	14A	19A	26A	10A	12A	17A	23A
Minimum Vf	30.5	30.5	30.5	30.5	30.5	30.5	30.5	30.5	30.5	30.5	30.5	30.5
Maximum Vf	39	39	39	39	39	39	39	39	39	39	39	39
Current mA	250	350	500	700	250	350	500	700	250	350	500	700
Wattage W	8.2	11.8	17.4	25.4	8.2	11.8	17.4	25.4	8.2	11.8	17.4	25.4

	90W		90T	
	11A	13A	10B	14B
Minimum Vf	30.5	30.5	30.5	30.5
Maximum Vf	39	39	39	39
Current mA	350	350	350	500
Wattage W	14	14	14	22

	10 DEGREE OPTIC		
	80C12A	90C10A	97C10A
Minimum Vf	30.5	30.5	30.5
Maximum Vf	39	39	39
Current mA	350	350	350
Wattage W	11.8	11.8	11.8

Node Compatibility:

Manufacturer	Model Number
 Enabling Smart Buildings™	NP50-60-C-F-5
	180996-1001 180996-1002 180996-2001 180996-2002
	1 Channel Node, POE-LN2-1U-E 2 Channel Node, POE-LN2-2U-E 4 Channel Node, POE-LN2-4U-E

E. CEILING SUBSTRATE AND FINISH OUT

1. CEILING THICKNESS

Compatible with 0.50" (13mm) to 1.0" (25mm) ceilings.

2. CEILING CUT-OUTS

Factory recommends use of properly sized hole saw for cut-outs. Correct size and quality of hole is critical. Many trims have minimal ceiling overlay of trim flange.

Make proper hole cut-out, referencing measurements from adjacent walls to housing collar / aperture centerline.

IC & NON-IC HOUSINGS CUT-OUTS:

4.625" (117mm) diameter for round fixtures

4.625" (117mm) for square fixtures

REMODEL / TETHERED POWER SUPPLY FIXTURE CUT-OUTS:

4.42" (113mm) min. - 4.5" (114mm) max. diameter for round fixtures

4.42" (113mm) min. - 4.5" (114mm) max. for square fixtures

3. JA8-2016 TITLE 24 INSTALLATIONS

Once the ceiling is installed, using a caulk suitable for the site conditions and associated materials, apply a bead of caulk between housing collar and ceiling substrate to create an airtight seal, in accordance with CEC instructions and guidelines "Fig.21" & "Fig.22".

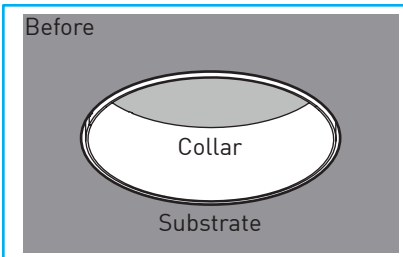


Fig.21

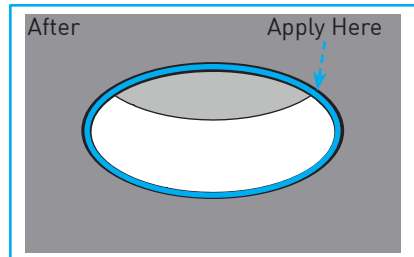


Fig.22

4. GYPSUM BOARD

Important: Square fixture installations require final alignment. Utilize string line or laser line to obtain uniform or desired alignment between multiple fixtures or in relation to parallel planes.

Install drywall in typical fashion. Oversized hole cut-outs must be filled in with mud or plaster, utilizing appropriate tape in accordance with industry standards, prior to trim installation.

Note: For mud-in drywall installations, see Section H.3.

Important: If mud-in, appliqué must be installed prior to mudding or finishing of ceiling. Failure to follow these instructions will lead to failed expectations and added expense.

Sand, prime, and apply finish coat to ceiling.

5. WOOD CEILING

Install wood in accordance with local and national building codes, employing suitable fire barriers as required. Hole cut-outs should be clean and precise. Sand, stain and apply finish seal coat prior to installing trim.

Important: Trimless installations are not compatible with wood ceiling applications.

6. T-GRID LAY-IN TILE CEILING

Install tiles in accordance with manufacturer's recommendations.

Note: See General Housing Mounting Notes in Section D.4.

Important: Trimless installations are not compatible with lay-in tile ceiling applications.

Important: Remodel installation methods are not suitable for lay-in tile ceiling applications; use housing instead.

F. REMODEL APPLICATION

1. GENERAL WIRING NOTES

These instructions are for remodel applications only. For housings, see Section C.

During rough-in stage of construction, identify approximate fixture locations. Ensure that sufficient space is available to accommodate factory-required setback and depth allowances (see Section B-10) for respective trim and remodel driver assembly.

Install appropriate conduit and wiring to each predetermined fixture location, in accordance with NEC and local code requirements, ensuring that adequate slack is provided for making connections to fixture from below finished ceiling plane.

Install finished ceiling (See section "E. CEILING SUBSTRATE AND FINISH OUT"). For flange overlay applications, finish ceiling in accordance with Section H.2. For trimless mud-in applications, see Section H.3.

Determine center point of trim location, boring clean and precise cut-out. Be cautious to avoid cutting or nicking wires above (See section "D. WIRING").

Locate and guide structured wiring / conduit down and through ceiling cutout "Fig.23".

Note: Reference Section D.4 for UL 2108 wiring connections.

2. WIRE / INSTALL REMODEL POWER SUPPLY

Note: Reference Section D.3 for remote remodel power supply installation.

Access splice compartment of PSF4-RMD remodel power supply by removing retaining screw(s), then tilting cover slightly back and away from base (see Section C.1).

Insert wiring / conduit into splice compartment, utilizing appropriate strain relief or connector.

Join structured building wires to corresponding wires with suitable customer-supplied connecting device.

Note: Improper polarity may cause damage to the unit and can void the warranty.

Push all wires and wire connections into splice compartment, and reinstall splice compartment cover by aligning tab and slot, ensuring no wires are pinched by cover. Install retaining screw(s).

Carefully insert finished power supply assembly up through cut-out to rest atop the ceiling, taking care not to damage ceiling plane or cutout "Fig.24".

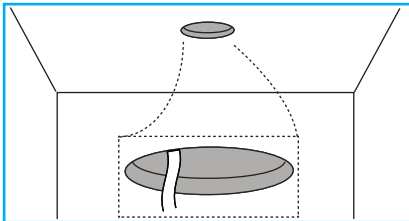


Fig.23

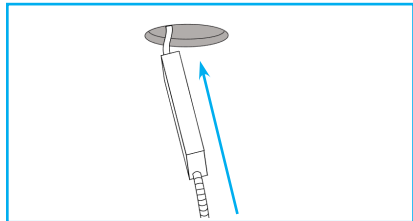


Fig.24

G. HOUSING DRIVER INSTALLATION

1. DRIVER INSTALLATION

The following instructions assume the housing has been installed with initial alignment completed. For remodel installations, see Section F.2.

Consult diagrams in Section N, joining corresponding driver and structured wiring using supplied push-in connectors *"Fig.25"*.

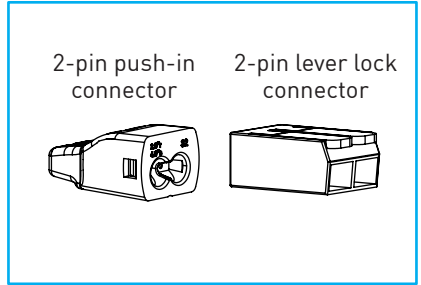


Fig.25

Raise and guide driver assembly through housing aperture, allowing sleeved wires to follow sled *"Fig.26"*.

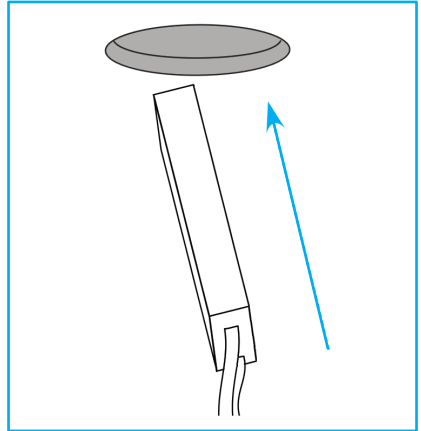


Fig.26

Slide driver to back of housing until Velcro engages. Leave 2-pin lever-lock connectors hanging through housing collar *"Fig.27"*.

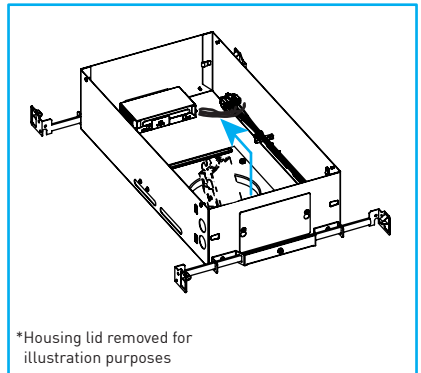


Fig.27

H. TRIM INSTALLATION

Ensure ceiling is finished before beginning trim installation.

1. CONNECT WIRING

Attach LED wiring to the corresponding 2-pin lever-nut connectors. Red to Red (+), Black to Black or Blue (-).

For remodel trims equipped with flexible conduit, join connectors and close locking latch

Warning: Connections are polarity sensitive.

2. FLANGED

The following instructions are for Standard Flange and MicroFlange fixtures, assuming housing or remodel power supply has been installed with initial alignment completed and/or proper ceiling cut-out has been made ready to accept trim. For Trimless fixture installations, see Section H.3.

For ceiling thickness of .50" and below, employ plastic spacers "Fig.28".

Retract retaining tabs into aperture of trim "Fig.29". Raise trim to housing and join corresponding trim and housing wires with supplied lever-lock connectors, ensuring proper polarity is observed. Continue raising trim into housing and extend retaining tabs, tightening retaining tab screws until trim seats flush to ceiling "Fig.30".

WARNING: Do not tighten retaining tab screws using a powered screwdriver.

Square fixtures require alignment. With retaining tabs loosened slightly, use string line or laser level to obtain uniform or desired alignment between multiple fixtures or adjacent wall planes. Tighten retaining tab screws when complete, seating trim firmly to ceiling "Fig.30".

WARNING: Do not tighten retaining tab screws using a powered screwdriver.

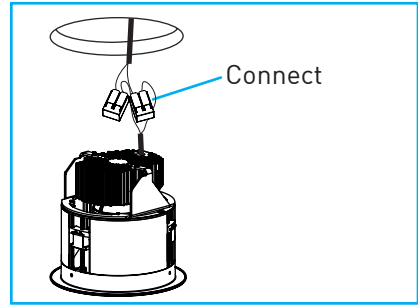


Fig.28

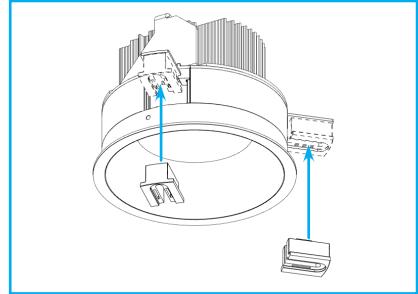


Fig.29

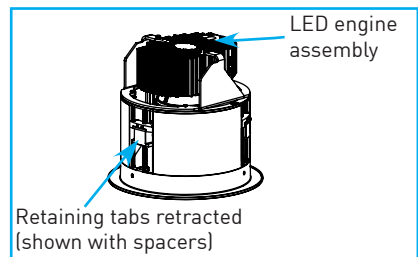


Fig.30

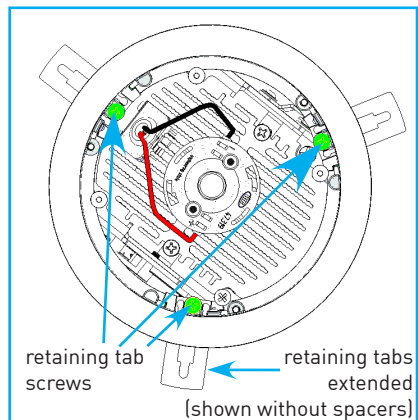


Fig.31

3. TRIMLESS DRYWALL

The following instructions assume housing has been installed with initial alignment completed and/or proper ceiling cut-out has been made ready to accept trim with attached appliqué.

With Housing: For installations utilizing a downlight housing, remove baffle and retract retaining tabs into trim aperture. Raise trim mechanism with attached appliqué, joining the corresponding trim and driver wires with the supplied connectors. Continue raising appliqué assembly into housing collar. Extend retaining tabs to hold trim in place, tightening to seat firmly after final alignment *"Fig.32"*.

Without Housing: For remodel or tethered power supply installations, remove baffle and retract retaining tabs into trim aperture. Raise trim mechanism with attached appliqué, joining the trim and power supply coupler. Continue raising applique assembly into ceiling cut-out. Extend locking tabs to hold trim in place, tightening to seat firmly after final alignment *"Fig.33"*.

Tighten retaining tab screws until appliqué is firmly seated against ceiling surface.

Important: Square appliques require alignment. With retaining tabs loosened slightly, use string line or laser level to obtain uniform or desired alignment between multiple fixtures or adjacent wall planes. Tighten retaining tab screws when complete *"Fig.34"*.

WARNING: Retaining tab screws must be hand tightened.

After fixture is secured, install plaster plug *"Fig.35"*. Apply tape over finger pull to protect optic and LED. Do not remove plug until all plaster and paint work is complete.

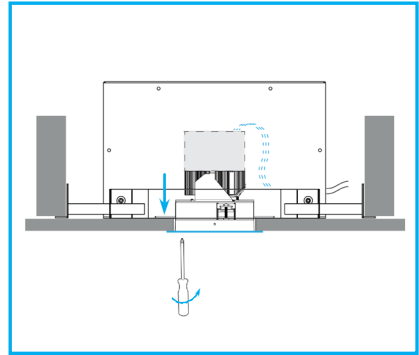


Fig.32

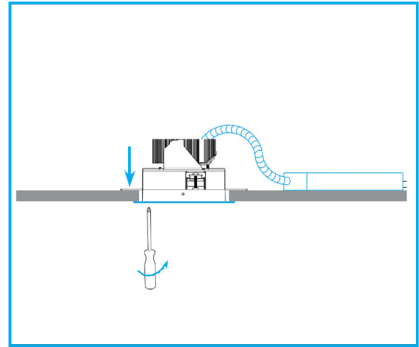


Fig.33

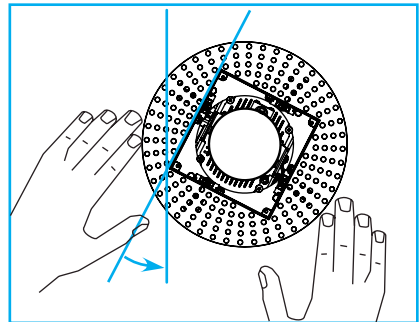


Fig.34

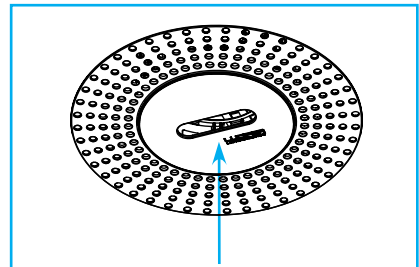


Fig.35

Use floating knife to apply first coat of drywall compound from beyond outer edge of appliqué to inner edge of appliqué / plaster stop. Float out as far as necessary to hide perforated appliqué "Fig.36".

Apply subsequent coats of drywall compound as required, using screed edge as a guide, feathering out and away from the applique to create the appearance of a perfectly flat ceiling "Fig.37". Allow joint compound to dry fully between coats.

Gently use block sanding screen to sand surface until desired level of smoothness is achieved "Fig.38".

WARNING: An unsatisfactory installation will occur if drywall compound is not sufficiently sanded and the flange / plaster stop is at all receded into the ceiling plane.

Once cured, the ceiling may be painted. After paint is dry, remove plaster plug.

Check for any drywall compound or paint that may have seeped beneath plug and carefully scrape if necessary.

Important: Any foreign material left in or on recessed appliqué surface may prevent proper fixture installation and satisfactory trimless appearance.

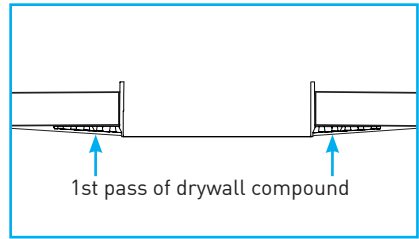


Fig.36

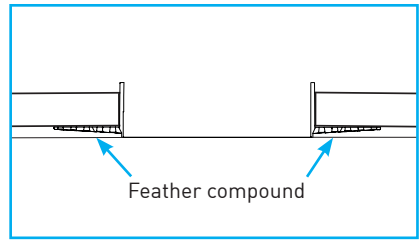


Fig.37

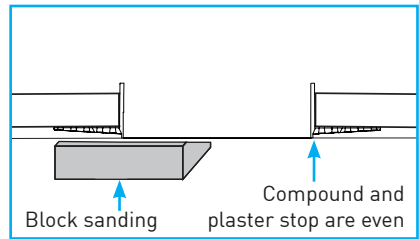


Fig.38

I. OPTIC INSTALLATION

1. INSTALL OPTIC

Secure optic to LED module by aligning two locking tabs and twisting clockwise "Fig.39".

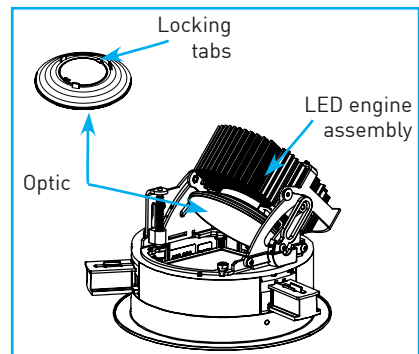


Fig.39

J. ADJUSTABLE FIXTURES

Adjustable fixtures feature hot-aiming 40° tilt and 365° rotation.

1. TILT

To adjust, use a standard #2 Phillips-head or flat-blade screwdriver. Locate black crossed-slot screw, rotating counter-clockwise to increase tilt and clockwise to decrease tilt *"Fig.40"*.

DO NOT TURN SCREW PAST LIMITS OF ADJUSTMENT. May result in damage to mechanism.

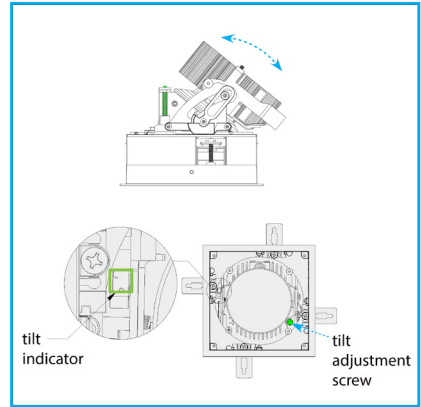


Fig.40

2. ROTATION

To adjust, locate silver lock screw and loosen with standard #2 Phillips-head screwdriver. Set desired position by hand with gentle outward force of fingers in trim aperture, turning to desired orientation. Tighten lock screw to secure *"Fig.41"*.

DO NOT OVER-TIGHTEN.

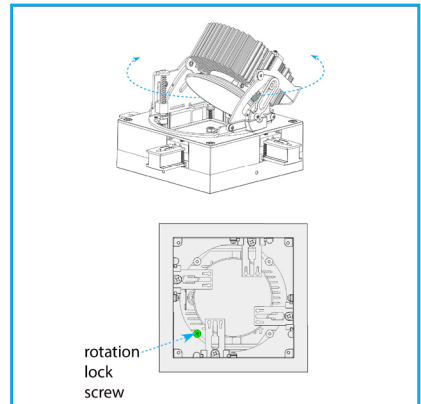


Fig.41

3. ADJUSTABLE HCL ASSEMBLY

Allows for Honeycomb Louver and a secondary effects device to tilt and rotate with adjustable fixtures.

Install HCL and specified secondary effects device in retainer, ensuring the HCL is installed first "Fig.42".

With aiming completed and optic installed, raise assembly up and carefully clip onto optic "Fig.43".

WARNING: Ensure standard effects device and lens retainer are not installed on baffle prior to installation.

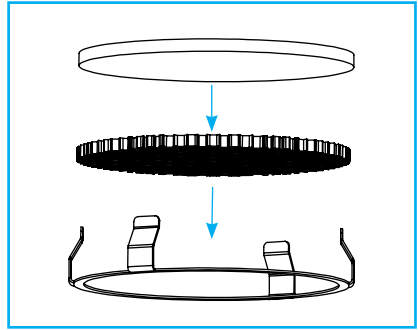


Fig.42

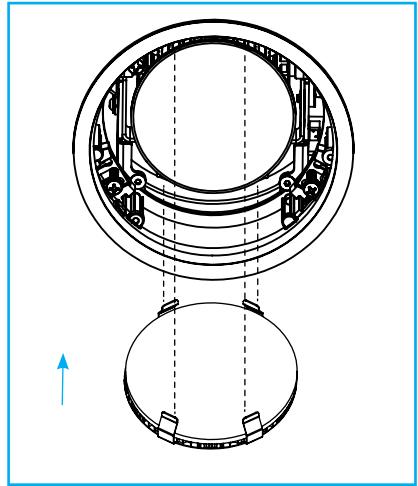


Fig.43

K. BAFFLE INSTALLATION

1. INSTALL BAFFLE

Raise baffle into trim aperture, and push up until baffle locks into place *"Fig.44"*.

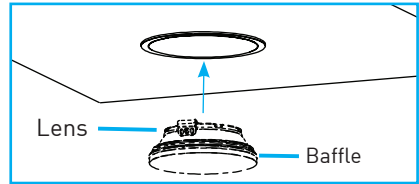


Fig.44

Wallwash Fixtures: Baffle *"Fig.45"* requires alignment with light source. To achieve proper wallwashing, ensure the baffle and trim are oriented to direct light toward the desired wall *"Fig.46"*.

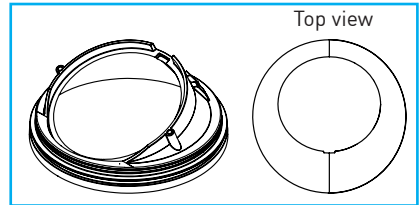


Fig.45

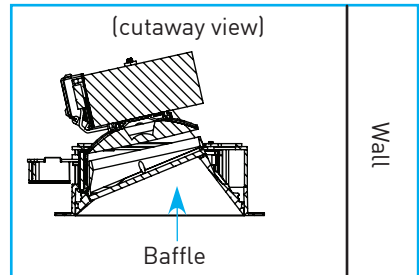


Fig.46

L. SERVICING FIXTURE

Important: Before servicing or maintaining trim or housing, disconnect electrical power at main switch or circuit breaker. Additionally, heed all WARNINGS and CAUTIONS, review the Safety Instructions, and refer to figures in main installation instructions where necessary.

1. EXCHANGING OPTIC / EFFECTS DEVICES

A. Remove baffle. Dry location baffles are removed by lifting lens and pulling down on the top of baffle. Wet location baffles or those with sealed lenses are removed by pulling down on the lens with a suction cup. Wallwash baffles require inserting small flat head screwdriver and carefully prying down as shown in "Fig.47".

B. To change optic, carefully grab and twist counter-clockwise to remove and clockwise to secure. Ensure that both feet of optic properly engage LED base.

C. To change lens / film, remove lens retainer and gasket by loosening and removing screw. Insert preferred lens / film in proper orientation, securing with lens retainer / gasket and replacing and tightening screws "Fig.48".

D. Raise baffle into aperture, and push up until baffle locks into place.

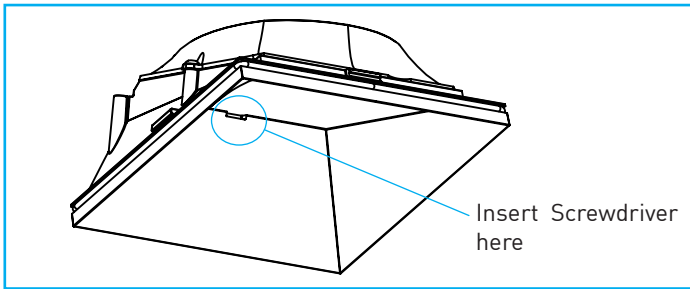


Fig.47

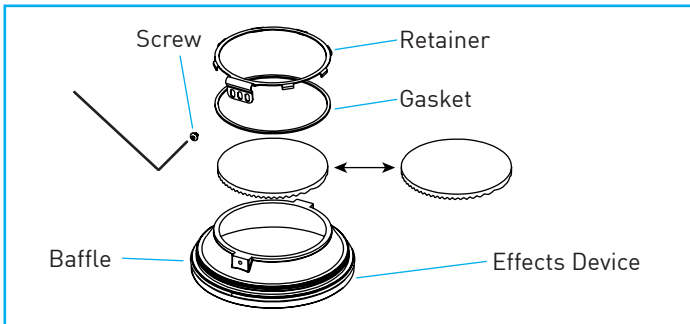


Fig.48

2. REPLACING LED ENGINE ASSEMBLY

A. Remove engine from ceiling using following techniques for the respective trim type:

1. Standard Flange / MicroFlange Trims

- Grasp baffle using soft gloves or with clean soft cloth and remove by pulling down or inserting small flat head screwdriver to wallwash baffles and carefully prying down *"Fig.47"*.
- Remove optic by twisting counter-clockwise.
- Using standard Phillips-head screwdriver, loosen black locking screws from retaining tabs within trim aperture.
- Applying upward pressure to support weight of trim, slide retaining tabs so that they are entirely retracted within trim aperture.
- Remove trim through housing aperture.
- Using standard Phillips-head screwdriver, remove 2 silver screws from black heat sink to detach LED engine from trim *"Fig.49"*.

2. Trimless

- Grasp baffle using soft gloves or with clean soft cloth and remove by pulling down or inserting small flat head screwdriver to wallwash baffles and carefully prying down *"Fig.47"*.
- Remove optic by twisting counter-clockwise.
- Applying upward pressure to support weight of LED engine, use standard Phillips-head screwdriver, remove 2 silver screws from black heat sink to detach LED engine from trim *"Fig.49"*.
- Remove LED engine through trim aperture.

B. Release trim from wiring harness by releasing trim wiring from lever lock connectors. For remodel trims equipped with flexible conduit, locking latch on conduit quick-connector will first need to be dislodged.

C. Replace with new OEM LED engine assembly sourced through Lucifer Lighting, reversing order of preceding steps.

D. Ensure that both feet of optic properly engage LED base and twist clockwise to secure.

E. Raise baffle into aperture, and push up until baffle locks into place.

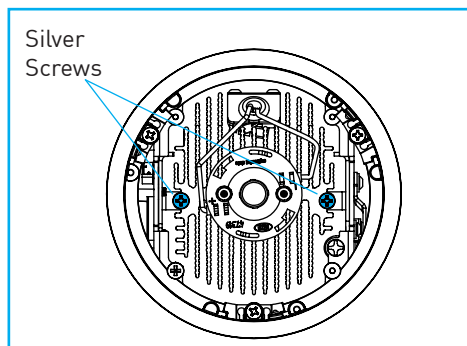


Fig.49

3. DRIVER REPLACEMENT

A. Replace driver using following techniques for the respective installation type:

1. Standard Flange / Microflange / Trimless - Fixed and Wallwash

- Driver assembly is accessed through housing aperture. With trim removed on flanged installations or LED engine removed on trimless installations, pull on sleeved wires to release driver assembly *"Fig.50"*.
- Rotate driver assembly as required to facilitate guiding down, through and just below trim aperture.
- Disconnect driver wiring from push-in connectors to free assembly from housing.
- Remove driver assembly and replace with OEM driver sourced through Lucifer Lighting.
- Connect driver wiring to 2-pin push-in connectors from housing.
- Guide driver assembly back through trim aperture and return to original position within housing.
- Attach LED wiring to the corresponding 2-pin lever-nut connectors, Red to Red (+), Black to Black or Blue (-).
- Reinstall trim or LED engine.
- Raise baffle into aperture, and push up until baffle locks into place.

2. Trimless - Adjustable

- Remove adjustment mechanism by loosening locking screw and removing two shoulder screws *"Fig.51"*.
- Pull on sleeved wires to release driver assembly *"Fig.50"*.
- Rotate driver assembly as required to facilitate guiding down, through and just below trim aperture.
- Disconnect driver wiring from push-in connectors to free assembly from housing.
- Remove driver assembly and replace with OEM driver sourced through Lucifer Lighting.
- Connect driver wiring to 2-pin push-in connectors from housing.
- Guide driver assembly back through trim aperture and return to original position within housing.
- Attach LED wiring to the corresponding 2-pin lever-nut connectors, Red to Red (+), Black to Black or Blue (-).
- Reinstall adjustment mechanism by installing shoulder screws and tightening the locking screw *"Fig.51"*.
- Raise baffle into aperture, and push up until baffle locks into place.

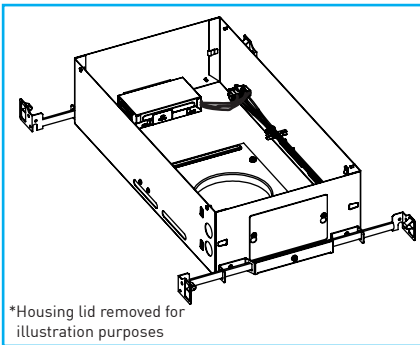


Fig.50

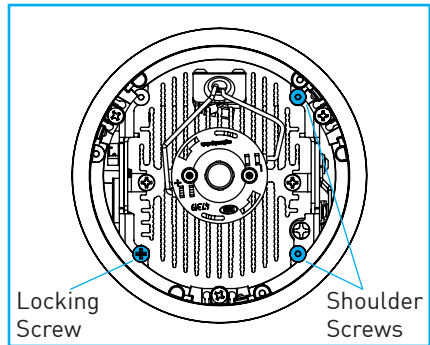


Fig.51

4. Remodel

- With trim or LED engine removed, pull wiring harness to guide remodel power supply through opening.
- Open power supply assembly by removing retaining phillips screw.
- Disconnect line voltage and / or control wiring.
- Replace with new OEM power supply assembly sourced through Lucifer Lighting.
- Reconnect proper strain relief or conduit to power supply and terminate wires with suitable splice connections in accordance with standard practices.
- Reinstall trim or LED engine.
- Raise baffle into aperture, and push up until baffle locks into place.

4. FIELD PAINTING OF TRIM

Though we strongly recommend custom paint be applied by factory during manufacturing, trims may be field-painted without impacting factory mechanical warranty using following guidelines:

- Recommend specifying **RMP-F4R** (round) or **RMP-F4S** (square) aperture plug.
- Select paint suitable for application and location of trim, recognizing that Lucifer Lighting Company fixtures are tested not to exceed temperatures of 90° Celsius. Typical operating temperature of faceplate is 46° Celsius nominal.
- Trim plate surface must be properly prepped in accordance with paint manufacturer's instructions. Paint supplied and furnished by customer.

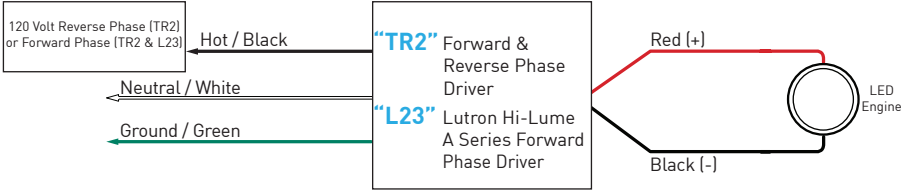
Important: Paint to be applied to trim flange only. Any disassembly or modification to trim or mechanism voids factory warranty and may represent an unsafe operating condition. Minimal tolerance exists between baffle and flange. Excess paint buildup may interfere with baffle installation.

M. WIRING DIAGRAMS

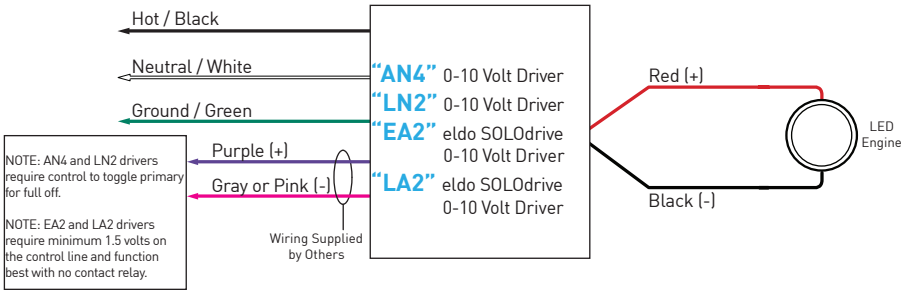
GENERAL WIRING NOTES

1. Consult approved dimmer list to ensure compatibility.
2. Install in accordance with manufacturer’s dimmer installation guidelines.
3. Secondary and 0-10V connections are polarity sensitive.

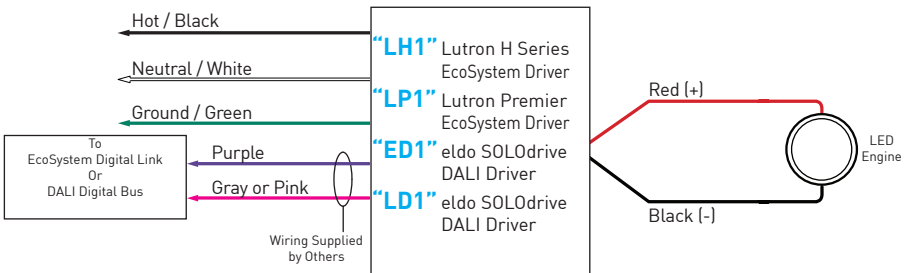
WIRING DIAGRAM FOR LINE DIMMING



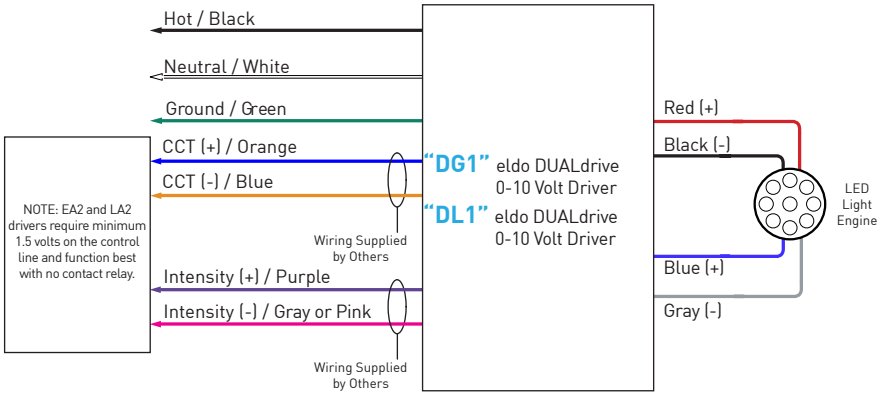
WIRING DIAGRAM FOR ANALOG CONTROL



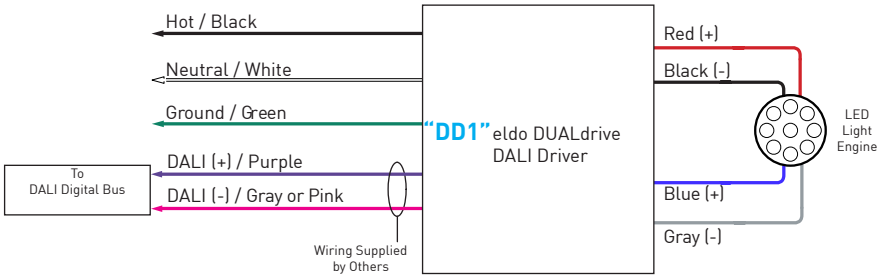
WIRING DIAGRAM FOR ECOSYSTEM AND DIGITAL CONTROL



WIRING DIAGRAM FOR TUNABLE WHITE ANALOG CONTROL



WIRING DIAGRAM FOR TUNABLE WHITE DALI CONTROL



Please consult website for full warranty terms and conditions:

www.luciferlighting.com/warranty

[04112022]

3750 North PanAm Expressway

San Antonio, TX 78219 USA

[PH] +1 210 227 7329

[FAX] +1 210 227 4967

www.luciferlighting.com

LUCIFER[®]
LIGHTING COMPANY

©2022 Lucifer Lighting Company

As part of its policy of continuous research and product development, the Company reserves the right to change or withdraw specifications without prior notice.