

FRAXION® 4

FIXED

Fraxion4 offers a separate housing and trim assembly. Conversely, Fraxion4 Slim incorporates an LED, optic, and housing into a single complete unit featuring a removable baffle and trim.

PROJECT NAME:	TYPE:
---------------	-------



ORDERING INFORMATION - DOWNLIGHT / HOUSING



Quick Ship Product. All rough in components ship within 10 days up to quantities of 100.



JA8-2022 INDICATED BY SHADING

SHAPE	TRIM	RATING	FLANGE FINISH	BAFFLE FINISH	CRI / WATTAGE PACKAGE	CCT	OPTIC (UGR)	INSTALL TYPE	CEILING THICKNESS	DRIVER	MEDIA
F4R Round	FFS Standard Flange	1 IP20 Dry/Damp 2 IP64 Wet*	WH White	WH White	STATIC WHITE 80S11A 80+ CRI, 11W, Lumens Dvld. - 1277 80S15A 80+ CRI, 15W, Lumens Dvld. - 1710 80S21A 80+ CRI, 21W, Lumens Dvld. - 2349 80S30B 80+ CRI, 30W, Lumens Dvld. - 3156* *(Not available for IC housing applications)	24 2400K*	10 10° (<13)	HOUSING INTEGRAL DRIVER IC IC NC NIC AT IC, Airtight* *(CCEA, Airtight & Title 24 compliant housing)	1 0.125" - 1.25"* *(Housing) 0.25" - 1.25"* *(Remodel) 0.50" - 1.25"* *(All Trimless) T 0.125" - 1.25"* *(Includes adjustable housing height bracket)	DOMESTIC (120V) TR2 Philips, 2% Leading/Trailing/Triac* *(Not available for 30W packages)	STANDARD MEDIA 04 Soft Focus Lens NL No Lens* *(Standard with 10° optic. Not available for Wet Location, Warm Dim, or Airtight Housings)
	MFS Microflange		AG Satin Silver	AG Satin Silver		27 2700K	15 15° (<16)				
F4S Square	FFS Standard Flange	*Suction cup provided for Aim & Focus)	BB Burnt Bronze	BB Burnt Bronze	90S11A 90+ CRI, 11W, Lumens Dvld. - 1097	35 3500K	20 20° (<13)	REMODEL RM Remodel RR Remote, Remodel	*(Includes Athena Node. Extended lead time, consult factory. ASR includes shunt)	CS1 / Casambi Control CSR eldoLED, SOL0drive 0.1%* *(Includes Casambi Node. Extended lead time, consult factory. CSR includes shunt)	26 Frosted Linear Spread Lens
	MFS Microflange		AU Cashmere Gold	AU Cashmere Gold	90S15A 90+ CRI, 15W, Lumens Dvld. - 1469	40 4000K	25 25° (<13)				
TFS Trimless	BK Black	BK Black	90S21A 90+ CRI, 21W, Lumens Dvld. - 2018	40 4000K	25 25° (<13)	*(Requires -14 WDL effects device)	TUNABLE WHITE POWER SUPPLIES (120-277V) DD1 eldoLED, DUALdrive 0.1% DALI-2, LOG DG1 eldoLED, DUALdrive 0.1% 0-10V, LOG DL1 eldoLED, DUALdrive 0.1% 0-10V, LIN	AD1 / Athena Control ADR eldoLED, DUALdrive 0.1%* *(Includes Athena Node. Extended lead time, consult factory. ADR includes shunt)	CD1 / Casambi Control CDR eldoLED, DUALdrive 0.1%* *(Includes Casambi Node. Extended lead time, consult factory. CDR includes shunt)		
FFT Standard Flange Transitional Baffle	PR Primer	PR Primer	90S30B 90+ CRI, 30W, Lumens Dvld. - 2711* *(Not available for IC housing applications)	40 4000K	25 25° (<13)					IC HOUSING: 6.5" TALL NIC HOUSING: 4.5" TALL	*(Requires -14 WDL effects device)
MFT Microflange Transitional Baffle	CF Custom Finish* *(Consult Factory)	CF Custom Finish* *(Consult Factory)	97S11A 97+ CRI, 11W, Lumens Dvld. - 963	40 4000K	25 25° (<13)	ALL DELIVERED LUMEN OUTPUTS AND T24 COMPLIANCE REFLECT 3000K PAIRED WITH 20° OPTIC AND SOFT FOCUS LENS.	*(Requires -14 WDL effects device)	*(Includes Athena Node. Extended lead time, consult factory. ASR includes shunt)	*(Includes Casambi Node. Extended lead time, consult factory. CSR includes shunt)		
TFT Trimless Transitional Baffle	CF Custom Finish* *(Consult Factory)	CF Custom Finish* *(Consult Factory)	97S15A 97+ CRI, 15W, Lumens Dvld. - 1290	40 4000K	25 25° (<13)					WARM DIM 90W15A 90+ CRI, 15W Incandescent Profile: 2700K - 1800K Lumens Dvld. - 1068 Halogen Profile: 3000K - 1800K Lumens Dvld. - 1082 *(SEE PAGE 3 FOR DETAILED WARM DIM PROFILE COMPARISON.)	*(Requires -14 WDL effects device)
			97S21A 97+ CRI, 21W, Lumens Dvld. - 1772	40 4000K	25 25° (<13)	*(Requires -14 WDL effects device)	*(Requires -14 WDL effects device)	*(Includes Athena Node. Extended lead time, consult factory. ASR includes shunt)	*(Includes Casambi Node. Extended lead time, consult factory. CSR includes shunt)		
			97S30B 97+ CRI, 30W, Lumens Dvld. - 2380* *(Not available for IC housing applications)	40 4000K	25 25° (<13)					*(Requires -14 WDL effects device)	*(Requires -14 WDL effects device)



PART NUMBER NOTES

- Trim ships as e.g., F4RFFS1-WHWH-90S15A2-311-AN4
- Housing ships as e.g., ICT-F4R-01
- Integral and remote drivers ship with trim



FRAXION4 FIXED

ACCESSORIES

ROUND ALTERNATE MEDIA

Dry/Damp location only.

Wet location requires alternate baffle.

- HCL-F4R** Honeycomb Louver w/ Diffusion Film*
*(Not available for Warm Dim, or Airtight housings)
- CGL-F4R** Clear Glass Lens*
*(Not available for Warm Dim)
- FGL-F4R** Frosted Glass Lens
- SFL-F4R** Soft Focus Lens
- FSFL-F4R** Frosted Soft Focus Lens
- WDL-F4R** Wide Distribution Lens*
*(Required and only available for 85° beam spread)
- FLSL-F4R** Frosted Linear Spread Lens

SQUARE ALTERNATE MEDIA

Dry/Damp location only.

Wet location requires alternate baffle.

- HCL-F4S** Honeycomb Louver w/ Diffusion Film*
*(Not available for Warm Dim, or Airtight housings)
- CGL-F4S** Clear Glass Lens*
*(Not available for Warm Dim)
- FGL-F4S** Frosted Glass Lens
- SFL-F4S** Soft Focus Lens
- FSFL-F4S** Frosted Soft Focus Lens
- WDL-F4S** Wide Distribution Lens*
*(Required and only available for 85° beam spread)
- FLSL-F4S** Frosted Linear Spread Lens

REPLACEMENT BAFFLE ASSEMBLY (INCLUDES MEDIA)

ASSEMBLY	SHAPE	TRIM	RATING	FLANGE FINISH	MEDIA
RBA				1	
REPLACEMENT BAFFLE ASSEMBLY	F4R Round F4S Square	FFS Standard Flange MFS Microlange TFS Trimless FFS Standard Flange MFS Microlange TFS Trimless FFT Standard Flange Transitional Baffle MFT Microlange Transitional Baffle TFT Trimless Transitional Baffle	1 Dry / Damp 2 Wet* *(Requires provided suction cup to service or aim & focus)	WH White BK Black PR Primer AU Cashmere Gold AG Satin Silver BB Burnt Bronze CF Custom Finish* *(Consult Factory)	Leave blank for standard Soft Focus Lens HCL Honeycomb Louver w/ Diffusion Film* *(Not available for Wet location, Warm Dim, or Airtight housings) CGL Clear Glass Lens* *(Not available for Warm Dim) FGL Frosted Glass Lens FSFL Frosted Soft Focus Lens WDL Wide Distribution Lens* *(Required and only available for 85° beam spread) FLSL Frosted Linear Spread Lens

REPLACEMENT OPTICS

Interchangeable optics accessible through fixture aperture.

STATIC WHITE

- RO-70-15-S** 15° optic
- RO-70-20-S** 20° optic
- RO-70-25-S** 25° optic
- RO-70-40-S** 40° optic
- RO-70-60-S** 60° optic

WARM DIM

- RO-70-20-W2** 20° optic
- RO-70-25-W2** 25° optic
- RO-70-40-W2** 40° optic
- RO-70-60-W2** 60° optic

TUNABLE WHITE

- RO-70-15-T** 15° optic
- RO-70-20-T** 20° optic
- RO-70-25-T** 25° optic
- RO-70-40-T** 40° optic
- RO-70-60-T** 60° optic

REPLACEMENT SUCTION TOOL

One included with every six fixtures designated Wet location.

- F4-TOOL-SUCTION** Allows for removal of baffle with Wet location

T-GRID ACCESSORY KIT

Supplied with ceiling thickness "T" and recommended for installations in T-Grid up to 1.5" tall. Available for ceiling thicknesses from 0.125" - 1.25".

- DHA-TG-KIT**

FURRING CHANNEL ACCESSORY KIT

Recommended for installations in furring channel. Available for ceiling thicknesses from 0.125" - 1.25".

- DHA-FC-KIT**

HANGER BAR EXTENDER KIT

Extends hanger bars from 24.0" to 46.0" maximum.

- FRX-HBE-46** Extender, Hanger Bar

EMERGENCY LIGHTING - REMOTE MOUNT ONLY

During disruption of main power, emergency battery inverter provides temporary 120V or 277V to fixture.

- EMB-S-25-120/277-LEDX** 25 watt max capacity, 120 or 277 VAC 60Hz, Non-Dimmable
- EMB-S-100-120-LEDX** 100 watt max capacity, 120 VAC 60Hz, 0-10V Dimmable
- EMB-S-100-277-LEDX** 100 watt max capacity, 277 VAC 60Hz, 0-10V Dimmable
- EMB-S-250-120/277-LEDX** 250 watt max capacity, 120 or 277 VAC 60Hz, 0-10V Dimmable

***SHUNT REQUIRED FOR USE WITH ATHENA AND CASAMBI CONTROLS, CONSULT FACTORY FOR DETAILS.**

FRAXION4 FIXED

PERFORMANCE - 3000K

24 HOURS
JA8-2022 INDICATED BY SHADING

LUMEN PACKAGE	WATTS	10° OPTIC NO LENS		15° OPTIC SOFT FOCUS LENS		20° OPTIC SOFT FOCUS LENS		25° OPTIC SOFT FOCUS LENS		40° OPTIC SOFT FOCUS LENS		60° OPTIC SOFT FOCUS LENS		85° OPTIC WIDE DISTRIBUTION	
		DLVD.	LPW	DLVD.	LPW	DLVD.	LPW	DLVD.	LPW	DLVD.	LPW	DLVD.	LPW	DLVD.	LPW
80S11A	11	-	-	1221	111	1277	116	1261	115	1199	109	1150	105	1053	93
80S15A	15	1436	131	1665	111	1710	114	1695	113	1620	108	1548	103	1399	93
80S21A	21	-	-	2259	108	2349	112	249	107	2202	105	2093	100	1909	91
80S30B	30	-	-	3015	100	3156	105	3093	103	2949	98	2803	93	2502	83
90S11A	11	-	-	1049	95	1097	100	1083	98	1030	94	988	90	905	82
90S15A	15	1238	113	1430	95	1469	98	1456	97	1392	93	1330	89	1202	80
90S21A	21	-	-	1941	92	2018	96	1932	92	1892	90	1798	86	1640	78
90S30B	30	-	-	2590	86	2711	90	2657	89	2533	84	2408	80	2149	72
97S11A	11	-	-	921	84	963	88	951	86	904	82	867	79	795	72
97S15A	15	1068	97	1256	84	1290	86	1278	85	1222	81	1168	78	1055	70
97S21A	21	-	-	1704	81	1772	84	1696	81	1661	79	1579	75	1440	69
97S30B	30	-	-	2274	76	2380	79	2333	78	2224	74	2114	70	1887	63
90W15A (27K-18K)	15	-	-	-	-	1068	71	1045	70	1011	67	968	65	861	57
90W15A (30K-18K)	15	-	-	-	-	1082	72	1064	71	1022	68	976	65	895	60
90T13B (40K-18K)	13	-	-	1095	84	1131	87	1124	86	1070	82	1027	79	888	68
90T13B (50K-27K)	13	-	-	1095	84	1131	87	1124	86	1070	82	1027	79	888	68
90T22B (40K-18K)	22	-	-	1693	77	1796	82	1761	80	1697	77	1632	74	1418	64
90T22B (50K-27K)	22	-	-	1693	77	1796	82	1761	80	1697	77	1632	74	1418	64

OUTPUT MULTIPLIER

CCT	CCT SCALE
2400K	0.85
2700K	0.97
3000K	1.00
3500K	1.03
4000K	1.08

MEDIA LIGHT LOSS FACTOR

MEDIA	LIGHT LOSS FACTOR
NO LENS	1.06
CGL	1.00
SFL	1.00
FGL	0.89
FSFL	0.81
FLSL	0.82
HCL	0.73

TUNABLE WHITE MULTIPLIER

CCT	5000K-2700K	4000K-1800K
5000K	1.16	-
4000K	1.08	1.14
3500K	1.04	1.07
3000K	1.00	1.00
2700K	0.96	0.92
2400K	-	0.84
1800K	-	0.69

UNIFIED GLARE RATING

10° OPTIC NO LENS	15° OPTIC SOFT FOCUS LENS	20° OPTIC SOFT FOCUS LENS	25° OPTIC SOFT FOCUS LENS	40° OPTIC SOFT FOCUS LENS	60° OPTIC SOFT FOCUS LENS	85° OPTIC WIDE DISTRIBUTION
<13	<16	<13	<13	<16	<13	>19

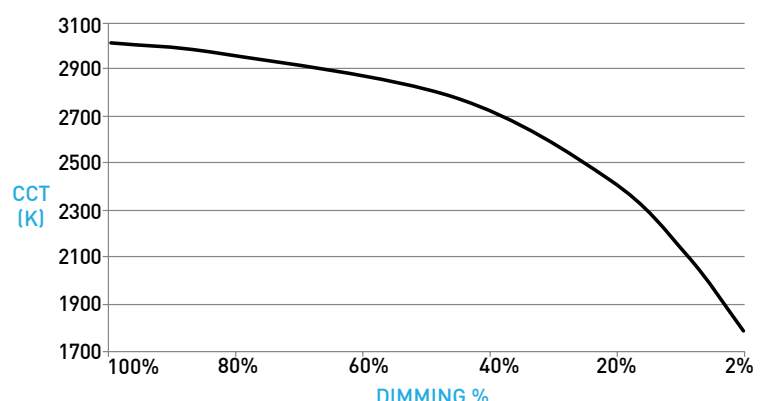
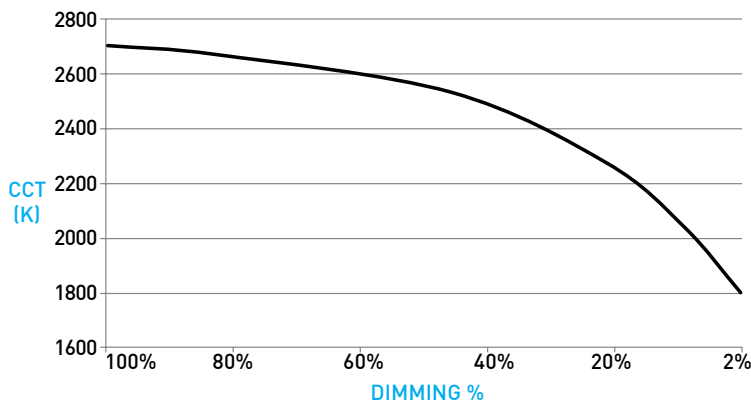
WARM DIM PERFORMANCE - 20° OPTIC - SOFT FOCUS LENS

WARM DIM TO MIRROR INCANDESCENT DIMMING PROFILE

WL 2700K - 1800K	Full on 100%	Dimmed to 80%	Dimmed to 70%	Dimmed to 50%	Dimmed to 20%	Dimmed to 10%	Dimmed to 2%
CCT (K)	2700	2650	2620	2520	2180	1950	1800
Light Output (Lm)	1068	854	747	534	213	106	21
Power (W)	15	12	10.5	7.5	3	1.5	.3
Efficacy (LPW)	71	71	71	71	71	71	71

HALOGEN WARM DIM PROFILE

WD 3000K - 1800K	Full on 100%	Dimmed to 80%	Dimmed to 70%	Dimmed to 50%	Dimmed to 20%	Dimmed to 10%	Dimmed to 2%
CCT (K)	3000	2950	2920	2775	2375	2000	1800
Light Output (Lm)	1082	865	757	541	216	108	22
Power (W)	15	12	10.5	7.5	3	1.5	.3
Efficacy (LPW)	72	72	72	72	72	72	72



FRAXION4 FIXED

DOWNLIGHT

A BAFFLE

ROUND / SQUARE

Die-cast removable baffle features 72° cutoff. Minimizes aperture glare and conceals view into housing; includes silicone gasket.

TRANSITIONAL BAFFLE

Die-cast removable baffle transitions from square aperture at ceiling plane to round aperture at light source and features 72° cutoff. Minimizes aperture glare and conceals view into housing; includes silicone gasket.

B RETENTION

Integrated metal arm clamps located within fixture body allow discreet flange design, while accommodating varying ceiling thicknesses from 0.125" to 1.25". Snap-on spacer clips (3X) supplied for ceiling thickness below 0.50" only.

C1 STANDARD FLANGE PROFILE

Provides 0.86" total contractor (goof) allowance with 0.50" flange. Thickness measures 0.06". Wet location features integral silicone gasket.

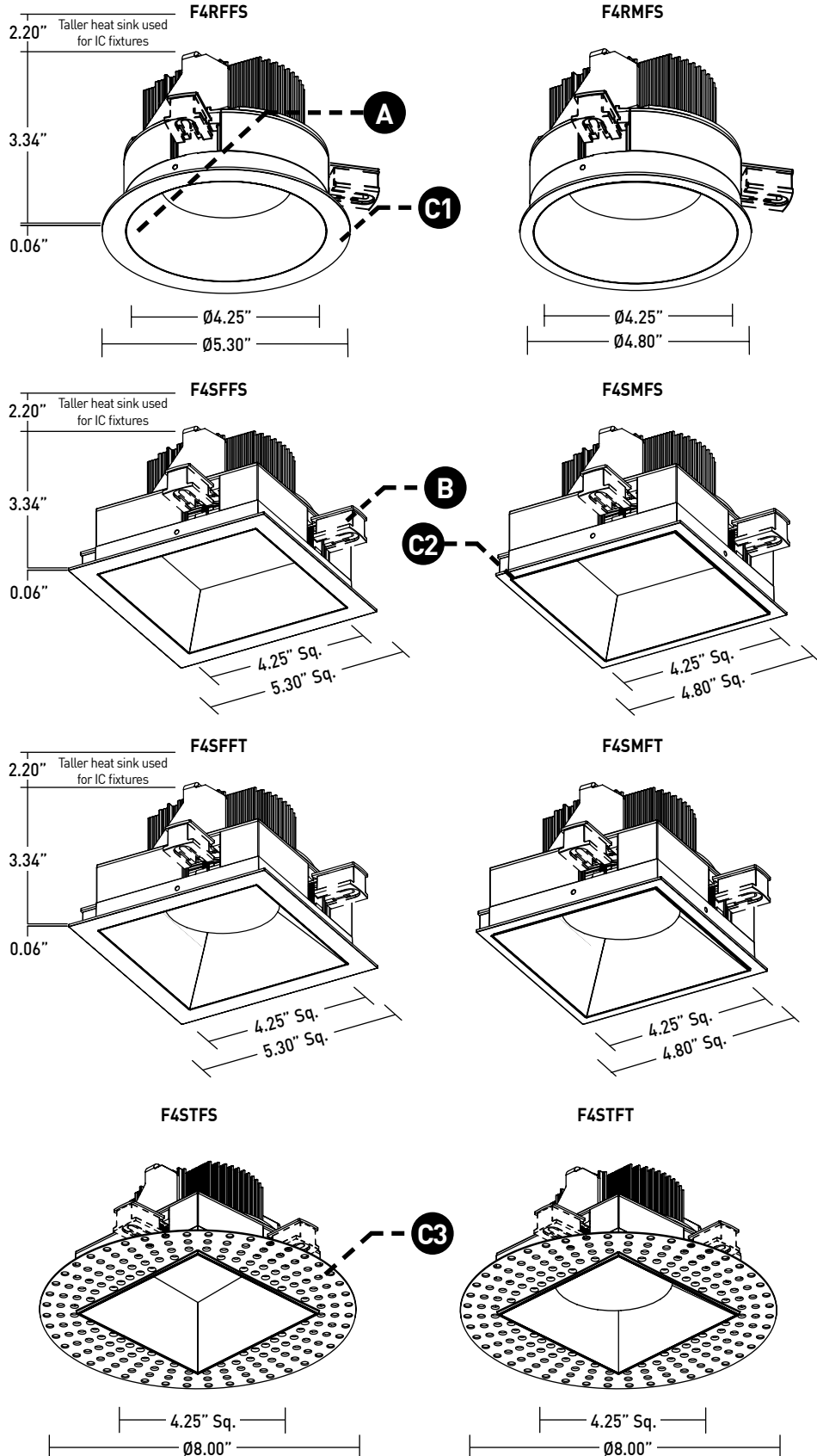
C2 MICROFLANGE PROFILE

Provides industry standard 0.42" total contractor (goof) allowance with 0.28" flange. Thickness measures 0.06". Wet location features integral silicone gasket.

C3 TRIMLESS PROFILE

Installs totally flush with the ceiling with no visible trim. Features integrated appliqué for plaster floating directly to the baffle, thickness measures 0.15" including 0.06" plaster stop. Not recommended for stucco applications.

DIMENSIONS / DRAWINGS



FRAXION4 FIXED

DOWNLIGHT

- D OPTIC**
Robust light engine with optimized optic pairing integrates Reflection, Refraction and TIR offering 10°, 15°, 20°, 25°, 40° & 60° beams.
- E MEDIA**
Soft focus lens included and sealed in Wet location option. Fixture is limited to 1 media. Suction tool provided for removal of Wet location baffles.

HOUSING / MOUNTING

- F ICT (IC) HOUSING - TALL**
 - For IC ceilings.
 - CCEA, Airtight and Title 24 (JA8) listed.
 - Accommodates max 2259 delivered lumens.
 - No setback from polycell spray foam insulation having max R-Value of 60 on all sides and top of housing.
- G NCM (NIC) HOUSING - MEDIUM**
 - Minimum 0.50" setback from combustible and non-combustible materials on all sides and top of housing.
 - Minimum 3.00" setback from insulation material having max R-Value 30 on all sides and top of housing.
 - Minimum 6.00" setback from polycell spray foam insulation having max R-Value 60.
- H HOUSING COLLAR**
 - Requires 4.625" cutout.
 - Fixed round aperture or square aperture with 45 degree rotation that locks from below providing easy alignment of square aperture housings.
 - Accommodates varying ceiling thicknesses.
- I ATHENA / CASAMBI CONTROL**

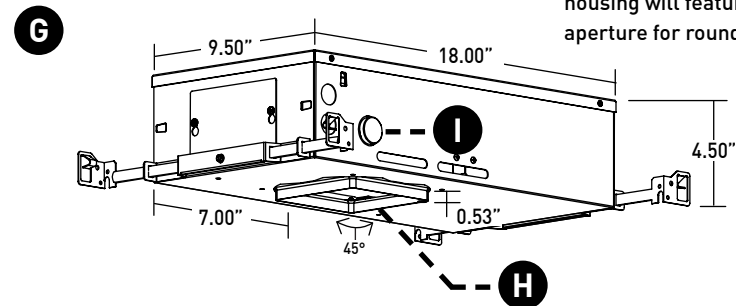
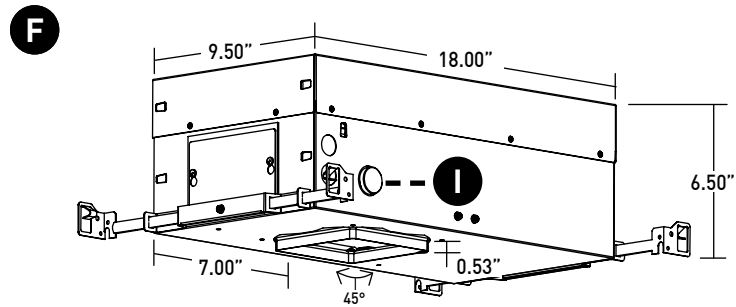
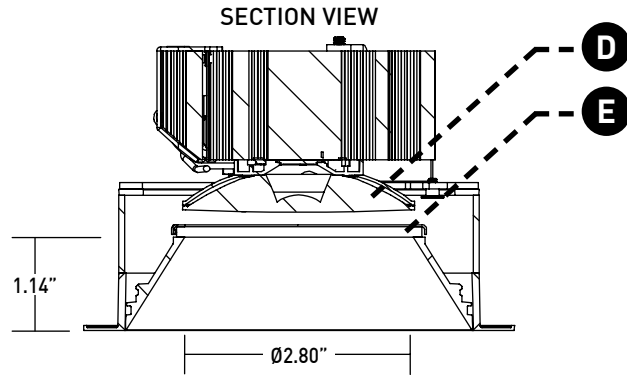
Controls integrated into housing assembly. All equipment is serviceable.

Athena Model Numbers: A-WN-D01-RF-BL & DFC-OEM-DBI

Casambi Model Number: BT-S1E1-5400
- J ADJUSTABLE HANGER BAR HEIGHT ACCESSORY**

Provided with ceiling thickness "T" and recommended for installations in T-Grid. Hanger bars are installed to adjustable bracket. Allows housing to be raised and lowered; ceiling thickness remains 0.5" to 1.0" max.

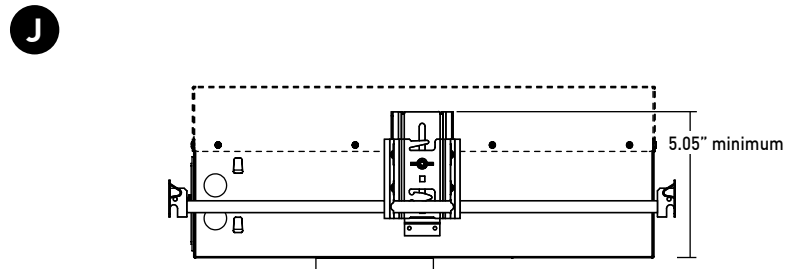
DIMENSIONS / DRAWINGS



NOTE: Square housing shown, housing will feature round aperture for round fixtures.

HOUSING / MOUNTING NOTES

- Do not install in environments where ambient temperatures exceed 40°C (104°F).
- Power supply compartment and all splice connections may be serviced from room side.
- Consult factory for spacing requirements for any installations exceeding R-Value 60.
- Hanger bars fitted to short side of housing, and long side of Low Flux housings; extend from 14.0" to 24.0", but may be field cut to accommodate narrow stud spacing. Can be extended up to 46" maximum with FRX-HBE-46 kit. Hanger bars and brackets add 4.00" to the overall dimension, but are exclusive of the setback requirements.
- Driver assembly ships with trim, not housing. Housing and trim feature push nuts and lever nuts for ease of installation.



FRAXION4 FIXED

REMOTE POWER SUPPLY

K REMOTE APPLICATIONS

- Provided with install types "IR", "NR", "AR", and "RR".
- Requires plenum rated Class 2 cable between fixture and remote driver. Cable supplied by others.
- See page 7 for maximum allowable wiring distance.
- Must be installed in an accessible location
- Do not install in environments where ambient temperatures exceed 40°C (104°F).

L ATHENA / CASAMBI CONTROL

Controls integrated into remote driver assembly. All equipment is serviceable.

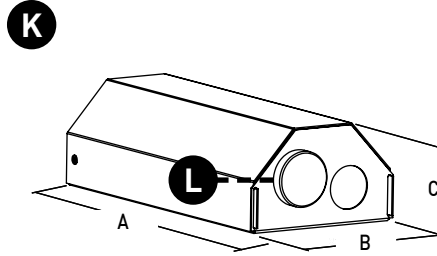
Athena Model Numbers: A-WN-D01-RF-BL & DFC-OEM-DBI

Casambi Model Number: BT-S1E1-5400

M ATHENA / CASAMBI EM SHUNT

Included with drivers specified as ASR, ATR, CSR, or CTR. One required for each wireless EM fixture, requires class 2 control wiring between fixture and shunt. Features integrated test switch.

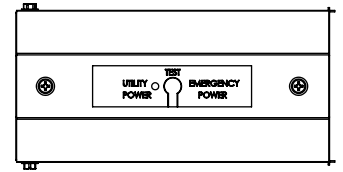
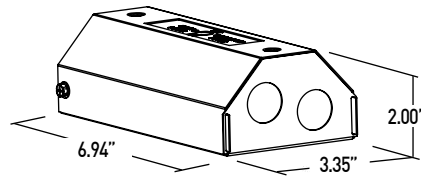
Model Number: PS-RMT-SHUNT



	A	B	C
<30W STATIC WHITE / WARM DIM	6.94"	3.35"	2.00"
30W STATIC WHITE	8.10"	5.00"	2.00"
TUNABLE WHITE	8.10"	5.00"	2.00"
ATHENA / CASAMBI CONTROLLED	8.10"	5.00"	2.00"



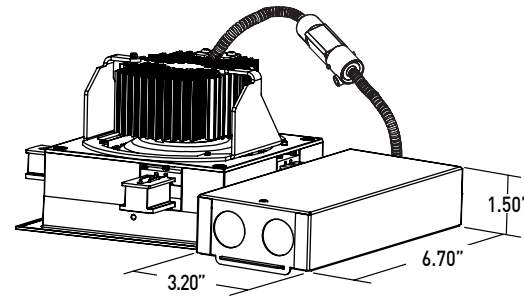
ATHENA / CASAMBI EM SHUNT



REMODEL POWER SUPPLY

N REMODEL WITH NON-IC TETHERED POWER SUPPLY

- Requires 4.42" cutout.
- Installs without conventional housing using integral mounting clamps.
- Tethered power supply / junction box with metal conduit protected wiring and quick-connect plug between fixture and power supply.
- Minimum 0.75" clearance from top of trim.
- Minimum setback from combustible and non-combustible materials of 6.63" radius from fixture centerline; minimum 3.00" from surfaces of power supply / junction box if not situated within above noted radius from fixture centerline.
- Minimum additional 3.00" setback from insulation material with max R-Value 30 from any surface of downlight fixture assembly.
- Minimum additional 6.00" setback from polycell spray foam insulation with max R-Value 60 from any surface of downlight fixture assembly.
- Do not install in environments where ambient temperatures exceed 40°C (104°F).
- All splice connections serviceable from room side.
- Consult factory for spacing requirements for any installations exceeding R-Value 60.



FRAXION4 FIXED

TECHNICAL

CONSTRUCTION

Downlight: Aluminum and steel. Extruded aluminum heat-sink. Painted finishes are granulated powder coat.

Housing: 22 Gauge galvanized steel.

Remote Power Supply: 22 Gauge galvanized steel.

Appliqué: Zinc Alloy

STATIC WHITE LED

2-step MacAdam ellipse LED module available in 80+, 90+ and 97+ CRI configurations in color temperatures of 2700K, 3000K, 3500K and 4000K. 3-step MacAdam ellipse LED module available in 90+ CRI configuration in color temperature of 2400K. Average rated lamp life of 50,000 hours. LED and driver assemblies are field-replaceable.

WARM DIM LED

3-step MacAdam ellipse warm dim LED module available in 90+ CRI configuration. 3000K or 2700K at full brightness, warming to 1800K at full dim. Average rated lamp life of 50,000 hours. LED and driver assemblies are field-replaceable.

TUNABLE WHITE LED

3-step MacAdam ellipse tunable white LED module available in 90+ CRI configuration. Features tuning ranges of 1800K to 4000K and 2700K to 5000K. Average rated lamp life of 50,000 hours. LED and driver assemblies are field-replaceable.

POWER SUPPLY PERFORMANCE AND DIMMING INFORMATION

	ELV		ECO	0-10V							DALI-2			ATHENA		CASAMBI	
Power Supply	TR2	L23	LH1	AN4	LN2	EA2	LA2	DL1	DG1	ED1	LD1	DD1	AS	AD	CS	CD	
Minimum °C	-20 °C	0 °C	0 °C	-20 °C	-20 °C	-20 °C	-20 °C	-20 °C	-20 °C	-20 °C	-20 °C	-20 °C	0 °C	0 °C	-20 °C	-20 °C	
Maximum °C	40 °C	40 °C	40 °C	40 °C	40 °C	40 °C	40 °C	40 °C	40 °C	40 °C	40 °C	40 °C	40 °C	40 °C	40 °C	40 °C	
Dimming %	2.0%	1.0%	1.0%	1.0%	1.0%	0.1%	0.1%	0.1%	0.1%	0.1%	0.1%	0.1%	0.1%	0.1%	0.1%	0.1%	

Note: For TR2, L23, LH1, LP1, AN4, EA2 and LA2 drivers consult chart on page 8 to confirm appropriate dimming curve for compatibility with selected control.

MAXIMUM ALLOWABLE REMOTE DRIVER WIRING DISTANCES

DRIVER	WIRE AWG				
	12	14	16	18	20
TR2, AN4, LN2	285'	180'	113'	71'	45'
L23, LH1	60'	40'	25'	15'	-
EA2, LA2, ED1, LD1, DG1, DL1, DD1, AS, AD, CS, CD	-	-	118'	72'	46'

LISTING

cTUVus listed to UL1598 standard for Dry / Damp and Wet locations.

CCEA, Airtight and Title 24 JA8-2022 Listed.

NEMA 410 Compliant.

U.S. Patent: 10,344,958

DECLARE

LBC Red List Approved.

WEIGHT

Trim - 3 lbs max

IC Housing - 7 lbs

NIC Housing - 6 lbs

Remote / Remodel Driver - 1.4 lbs

LIMITED WARRANTY

Manufacturer's Limited Warranty guarantees product(s) listed to be free from defects in material and workmanship under normal use and service for 1-year. LED and power supplies are warranted to operate with 70% of original flux and remain within a range of 3 duv for a period of 5-years.

10-year Lutron Advantage limited warranty available on Lutron equipped systems. Warranty period begins from the date of shipment by Seller.

[Consult website for full warranty terms and conditions.](#)

CHANGE LOG

1. 04/07/2022: REMOVED REMOTE REMODEL ACCESSORY KIT PSF4-RMT-AK.

2. 10/17/2022: REMOVED 90W13A 3200K-1800K WARM DIM AND ADDED 90W12A 3000K-1800K WARM DIM.

3. 04/26/2023: ADDED DECLARE LBC RED LIST APPROVED.

4. 08/08/2023: ADDED NEW LED AND OPTIC SYSTEM.

5. 02/08/2024: ADDED ATHENA AND CASAMBI CONTROL OFFERING, 2400K, AND WARM PROFILE TUNABLE WHITE.



Declare.

DIMMING COMPATIBILITY

PHILIPS DRIVER COMPATIBILITY

Power supply TR2 Manufacturer	Family/Model #
Lutron Electronics	DV-600P
Lutron Electronics	DVELV-303P
Lutron Electronics	NTELV-600
Lutron Electronics	MAELV-600
Lutron Electronics	SELV-300P
Lutron Electronics	DVLV-600P
Lutron Electronics	NFTU-5A
Lutron Electronics	CTCL-153P
Lutron Electronics	GL-600H
Lutron Electronics	S-600P
Lutron Electronics	PHPM
Power supply AN4 Manufacturer	Family/Model #
Lutron Electronics	DVTV plus PP-DV
Lutron Electronics	DVSCTV plus PP-DV
Lutron Electronics	DVSTV
Lutron Electronics	DVSCSTV
Lutron Electronics	QSGRJ-XP plus GRX-TVI
Lutron Electronics	QSGRJ-XE plus GRX-TVI
Lutron Electronics	QSGR-XE plus GRX-TVI
Lutron Electronics	NFTV plus PP-DV
Lutron Electronics	NTSTV
Lutron Electronics	RMJ-5T
Lutron Electronics	RMJS-8T
Lutron Electronics	FCJS-010
Leviton	IlumaTch IP7 series
Philips	Sunrise - SR1200ZTUNV

LUTRON DRIVER COMPATIBILITY

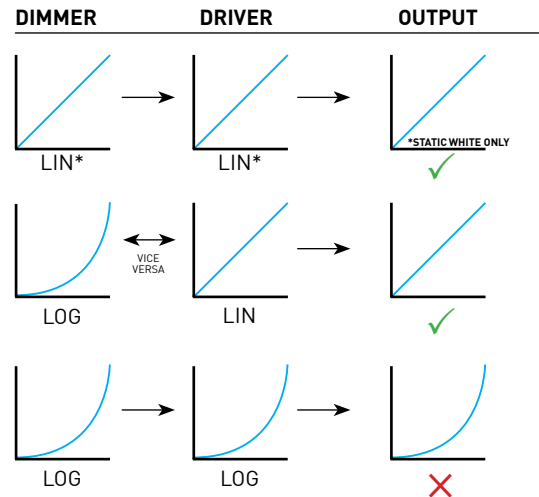
Power supply L23 Lutron Product Family	Part No.
Maestro WirelessR 600 W dimmer	MRF2-6ND-120-
Maestro WirelessR 1000 W dimmer	MRF2-10ND-120-
Caséta® Wireless Pro 1000 W dimmer	PD-10NXD-
GRAFIK T™ CL® dimmer	GT-250M-GTJ-250M-
HomeWorks® QS adaptive dimmer	HQRD-6NA-
HomeWorks® QS 600 W dimmer	HQRD-6ND-
HomeWorks® QS 1000 W dimmer	HQRD-10ND-
RadioRA® 2 adaptive dimmer	RRD-6NA-
RadioRA® 2 1000 W dimmer	RRD-10ND
myRoom™ DIN power module	MQSE-4A1-D
HomeWorks® QS DIN power module	LQSE-4A1-D
HomeWorks® QS wallbox power module	HQRJ-WPM-6D-120
HomeWorks® wallbox power module	HWI-WPM-6D-120
GRAFIK Eye® QS control unit	QSGR-, QSGRJ-
GRAFIK Eye® 3000 control unit	GRX-3100-GRX-3500-
RPM-4U module (LCP, HomeWorks® QS, GRAFIK Systems™, Quantum®)	HW-RPM-4U-120 LP-RPM-4U-120
RPM-4A module (LCP, HomeWorks® QS, GRAFIK Systems™, Quantum®)	HW-RPM-4A-120, LP-RPM-4A-120
GP dimming panels	Various
Ariadni CL 250W dimmer	AYCL-253P-
Diva CL 250W dimmer	DVCL-253P-DCSCCL-253P-
Nova T CL 250W dimmer	NTCL-250-
Power supply LH1 Lutron Product Family	Part No.
PowPak Dimming Modules	RMJ-ECO32-DV-B
PowPak Dimming Modules	FCJ/FCJS-ECO
Energi Savr Nodes	QSN-1ECO-S
GRAFIK Eye QS control unit	QSN-2ECO-S
Homeworks QS control unit	QSGRJ- _E (wireless) QSGR- _E
Quantum Hub	QP2-__ 2C
Quantum Hub	QP2-__ 4C
Quantum Hub	QP2-__ 6C
Quantum Hub	QP2-__ 8C
Homeworks QS power module	LQSE-2ECO-D
myRoom Plus power module	



eldoLED DRIVER COMPATIBILITY

Power supply EA2 Manufacturer	Family/Model #
Busch-Jaeger	2112U-101
Jung	240-10
Leviton Lighting Controls	IP710-DLX
Lightolier Controls	ZP600FAM120
Merten	5729
Pass & Seymour	CD4FB-W
The Watt Stopper	DCLV1
Synergy	ISD BC
Crestron®	GLX-DIMFLV8
Crestron®	GLXP-DIMFLV8
Crestron®	GLPAC-DIMFLV4-*
Crestron®	GLPAC-DIMFLV8-*
Crestron®	GLPP-DIMFLVEX-PM
Crestron®	GLPP-1DIMFLV2EX-PM
Crestron®	GLPP-1DIMFLV3EX-PM
Crestron®	DIN-A08
Crestron®	DIN-4DIMFLV4
Crestron®	CLS-EXP-DIMFLV
Crestron®	CLCI-1DIMFLV2EX
Power supply LA2 Manufacturer	Family/Model #
Lutron Electronics	Nova T® - NTFTV
Lutron Electronics	Diva® - DVTV
Lutron Electronics	Nova® - NFTV
Lutron Electronics	GrafixEye® GRX-TVI w GRX3503
Lutron Electronics	Energy Savr Node™ - QSN-4T16-S
Lutron Electronics	TVM2 Module
Sensor Switch	nIO EZ
ABB	SD/S 2.16.1

ANALOG DRIVERS AND DIMMERS



LIN = LINEAR
 LOG = LOGARITHMIC
 *LIN-TO-LIN NOT COMPATIBLE FOR WARM-DIM OR TUNABLE WHITE