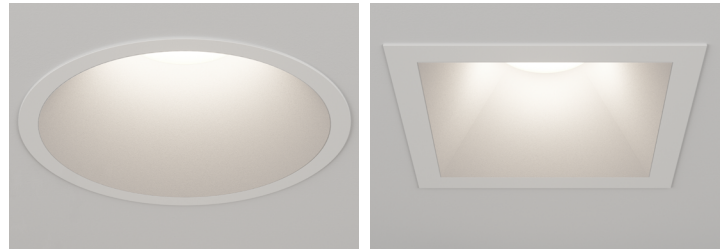


FRAXION®4 DEEP REGRESS FIXED

Fraxion4 standard offers a traditional housing and separate trim assembly. Conversely, Fraxion4 Slim incorporates an LED, optic, and housing into a single complete unit featuring a removable baffle and trim.

| | |
|---------------|-------|
| PROJECT NAME: | TYPE: |
|---------------|-------|



ORDERING INFORMATION - DOWNLIGHT / HOUSING



Quick Ship Product. All rough in components ship within 10 days up to quantities of 100.



JA8-2019 INDICATED BY SHADING

| SHAPE | TRIM | RATING | FLANGE FINISH | BAFFLE FINISH | LUMEN PACKAGE | CCT | OPTIC | INSTALL TYPE | CEILING THICKNESS | DRIVER | EFFECTS DEVICE |
|------------|---|---|---|--|---|--|--|--|--|---|---|
| F4R Round | FFD Standard Flange | 1 Dry/Damp 2 Wet* * [Requires provided suction cup to service or aim & focus] | WH White | WH White | LOW FLUX STATIC WHITE 80C12A 80+ CRI, Delivered Lumens - 705 80C16A 80+ CRI, Delivered Lumens - 970 80C23A 80+ CRI, Delivered Lumens - 1335 90C10A 90+ CRI, Delivered Lumens - 605 90C14A 90+ CRI, Delivered Lumens - 829 90C19A 90+ CRI, Delivered Lumens - 1136 97C10A 97+ CRI, Delivered Lumens - 539 97C12A 97+ CRI, Delivered Lumens - 738 97C17A 97+ CRI, Delivered Lumens - 1020 | 22 2200K* * [Only available with 90+ CRI] | 10 10°* * [Only available with 80C12A, 90C10A and 97C10A. Not available with 2200K] | HOUSING INTEGRAL DRIVER IC IC NC NIC AT IC Airtight* * [ICCEA, Airtight & Title 24 compliant housing] | 2 0.125" - 2.50" * [Housing] 0.25" - 2.50" * [Remodel] 0.50" - 2.50" * [All Trimless] T 0.125" - 2.50" * [Includes adjustable housing height bracket] | DOMESTIC (120V) TR2 Philips, 2% Leading/Trailing/Triac* * [Not available for 80C12A, 90C10A, or 97C10A unless 10° degree optic is specified. Not available for 80C30B, 90C26B, or 97C23B] | STANDARD EFFECTS DEVICE 04 Soft Focus Lens NL No Lens* * [Standard with 10° optic. Not available for Wet Location, or Airtight Housings] |
| | AG Satin Silver | | AG Satin Silver | HIGH FLUX STATIC WHITE 80C30B 80+ CRI, Delivered Lumens - 1835* * [Not available for IC housing applications] 90C26B 90+ CRI, Delivered Lumens - 1411* * [Not available for IC housing applications] 97C23B 97+ CRI, Delivered Lumens - 1218* * [Not available for IC housing applications] | | | | | | | |
| F4S Square | FFD Standard Flange Transitional Baffle | | BB Burnt Bronze | BB Burnt Bronze | WARM DIM 90W11A 90+ CRI, Delivered Lumens - 741 Incandescent Profile 90W12A 90+ CRI, Delivered Lumens - 833 Standard Profile | WL 2700K - 1800K WD 3000K - 1800K | 15 15° 22 22° 40 40° 60 60° 85 85°* * [Requires -14 WDL effects device] | REMODEL RR Remote, Remodel | | TUNABLE WHITE POWER SUPPLIES (120-277V) DD1 eldoLED, DUALdrive 0.1% DALI, LOG DG1 eldoLED, DUALdrive 0.1% 0-10V, LOG DL1 eldoLED, DUALdrive 0.1% 0-10V, LIN | |
| | BK Black | | BK Black | TUNABLE WHITE 90T10A 90+ CRI, Delivered Lumens - 639* * [Not available for Remodel applications] 90T14A 90+ CRI, Delivered Lumens - 898* * [Not available for IC housing or Remodel applications] | | | | | | | |
| | MFD Microflange Trimless | | PR Primer | PR Primer | | | | | | | |
| | TFD Trimless | | 00 Trimless* * [Required for trimless] | CF Custom Finish* * [Consult Factory] | | | | | | | |
| | TFD Transitional Baffle | | CF Custom Finish* * [Consult Factory] | CF Custom Finish* * [Consult Factory] | | | | | | | |

| | | | | |
|------------------------|-------------------------------|--------------------------------|-------------------------------|------------------------|
| | | | | |
| (WH) White Powder Coat | (AG) Satin Silver Powder Coat | (AU) Cashmere Gold Powder Coat | (BB) Burnt Bronze Powder Coat | (BK) Black Powder Coat |

PART NUMBER NOTES

- Trim ships as e.g., F4RFFD1-WHWH-90C10A2-3I2-AN4
- Housing ships as e.g., ICT-F4R-01
- Driver ships with trim
- Remote driver ships with trim as e.g., PSF4-RMT-90C-10A-1L23

FRAXION4 DEEP REGRESS FIXED

ACCESSORIES

ALTERNATE EFFECTS DEVICES

Dry/Damp location only.

Wet location requires alternate baffle.

- HCL-F4R-2** Honeycomb Louver w/ Diffusion Film*
*(Not available for Warm Dim, or Airtight housings)
- CGL-F4R-2** Clear Glass Lens*
*(Not available for Warm Dim)
- FGL-F4R-2** Frosted Glass Lens
- SFL-F4R-2** Soft Focus Lens
- FSFL-F4R-2** Frosted Soft Focus Lens
- WDL-F4R-2** Wide Distribution Lens*
*(Required and only available for 85° beam spread)
- FLSL-F4R-2** Frosted Linear Spread Lens

REPLACEMENT BAFFLE ASSEMBLY (INCLUDES EFFECTS DEVICE)

| ASSEMBLY | SHAPE | TRIM | RATING | FLANGE FINISH | EFFECTS DEVICE |
|------------------------------------|---|--|--|---|--|
| RBA | | | | 1 | |
| REPLACEMENT BAFFLE ASSEMBLY | F4R Round F4S Square | FFD Standard Flange MFD Microflange TFD Trimless FFD Standard Flange Transitional Baffle MFD Microflange Transitional Baffle TFD Trimless Transitional Baffle | 1 Dry / Damp 2 Wet* *(Requires provided suction cup to service or aim & focus) | WH White BK Black PR Primer AU Cashmere Gold AG Satin Silver BB Burnt Bronze CF Custom Finish* *(Consult Factory) | Leave blank for standard Soft Focus Lens HCL Honeycomb Louver w/ Diffusion Film* *(Not available for Wet Location, Warm Dim, or Airtight Housings) CGL Clear Glass Lens* *(Not available for Warm Dim) FGL Frosted Glass Lens FSFL Frosted Soft Focus Lens WDL Wide Distribution Lens* *(Required and only available for 85° beam spread) FLSL Frosted Linear Spread Lens |

LOW FLUX AND WARM DIM REPLACEMENT OPTICS

Interchangeable optics accessible through fixture aperture.

- RO-50-15-2** 15° optic
- RO-50-22-2** 22° optic
- RO-50-40-2** 40° optic
- RO-50-60-2** 60° optic

HIGH FLUX AND TUNABLE WHITE REPLACEMENT OPTICS

Interchangeable optics accessible through fixture aperture.

- RO-50-22-3** 22° optic*
*(Not available for High Flux)
- RO-50-28-3** 28° optic*
*(Not available for Tunable White)
- RO-50-40-3** 40° optic
- RO-50-60-3** 60° optic

REPLACEMENT SUCTION TOOL

One included with every six fixtures designated Wet location.

- F4-TOOL-SUCTION** Allows for removal of baffle with Wet location

T-GRID ACCESSORY KIT

Supplied with ceiling thickness "T" and recommended for installations in T-Grid and furring channel up to 1.5" tall. Available for ceiling thicknesses from 0.50" - 1.00".

- DHA-TG-KIT**

HANGER BAR EXTENDER KIT

Extends hanger bars from 24.0" to 46.0" maximum.

- FRX-HBE-46** Extender, Hanger Bar

EMERGENCY LIGHTING - REMOTE MOUNT ONLY

During disruption of main power, emergency battery inverter provides temporary 120V or 277V to fixture.

- EMB-S-20/25-120/277-LEDX** 20/25 watt max capacity, 120 or 277 VAC 60Hz, Non-Dimmable
- EMB-S-100-120-LEDX** 100 watt max capacity, 120 VAC 60Hz, Dimmable
- EMB-S-100-277-LEDX** 100 watt max capacity, 277 VAC 60Hz, Dimmable
- EMB-S-250-120/277-LEDX** 250 watt max capacity, 120 or 277 VAC 60Hz, Dimmable

FRACTION4 DEEP REGRESS FIXED

PERFORMANCE - 3000K

| LUMEN PACKAGE | WATTAGE | 10° OPTIC NO SOFT FOCUS LENS | | 15° OPTIC SOFT FOCUS LENS | | 22° or 28° OPTIC SOFT FOCUS LENS | | 40° OPTIC SOFT FOCUS LENS | | 60° OPTIC SOFT FOCUS LENS | | 85° OPTIC WIDE DISTRIBUTION LENS | |
|---------------|---------|---------------------------------|----------|------------------------------|-----|-------------------------------------|-----|------------------------------|-----|------------------------------|-----|-------------------------------------|-----|
| | | DELIVERED | LPW | DELIVERED | LPW | DELIVERED | LPW | DELIVERED | LPW | DELIVERED | LPW | DELIVERED | LPW |
| 80C12A | 10 | 698 | 48 (14W) | 727 | 72 | 557 | 55 | 705 | 70 | 684 | 68 | 534 | 53 |
| 80C16A | 14 | - | - | 992 | 70 | 766 | 54 | 970 | 69 | 942 | 67 | 735 | 52 |
| 80C23A | 21 | - | - | 1369 | 65 | 1055 | 50 | 1335 | 63 | 1296 | 61 | 1011 | 48 |
| 80C30B | 30 | - | - | - | - | 1450 | 48 | 1835 | 61 | 1783 | 59 | 1391 | 46 |
| 90C10A | 10 | 592 | 41 (14W) | 601 | 60 | 478 | 47 | 605 | 60 | 588 | 58 | 458 | 45 |
| 90C14A | 14 | - | - | 820 | 58 | 655 | 46 | 829 | 59 | 805 | 57 | 628 | 44 |
| 90C19A | 21 | - | - | 1131 | 53 | 897 | 42 | 1136 | 54 | 1103 | 52 | 860 | 41 |
| 90C26B | 30 | - | - | - | - | 1115 | 37 | 1411 | 47 | 1370 | 46 | 1069 | 36 |
| 97C10A | 10 | 546 | 38 (14W) | 548 | 54 | 426 | 42 | 539 | 53 | 523 | 52 | 408 | 40 |
| 97C12A | 14 | - | - | 748 | 53 | 583 | 41 | 738 | 52 | 716 | 51 | 559 | 39 |
| 97C17A | 21 | - | - | 1031 | 49 | 806 | 38 | 1020 | 48 | 990 | 47 | 773 | 36 |
| 97C23B | 30 | - | - | - | - | 962 | 32 | 1218 | 41 | 1182 | 39 | 922 | 31 |
| 90W11A | 14 | - | - | 712 | 51 | 579 | 41 | 719 | 51 | 720 | 51 | 561 | 40 |
| 90W12A | 14 | - | - | - | - | - | - | - | - | - | - | - | - |
| 90T10B | 14 | - | - | - | - | 516 | 32 | 639 | 40 | 649 | 41 | 506 | 32 |
| 90T14B | 22 | - | - | - | - | 720 | 30 | 898 | 37 | 913 | 38 | 712 | 30 |

| OUTPUT MULTIPLIER | |
|--|-----------|
| CCT | CCT SCALE |
| 2200K (Consult factory for JA8 details) | 0.800 |
| 2700K | 0.957 |
| 3000K | 1.000 |
| 3500K | 1.019 |
| 4000K | 1.030 |

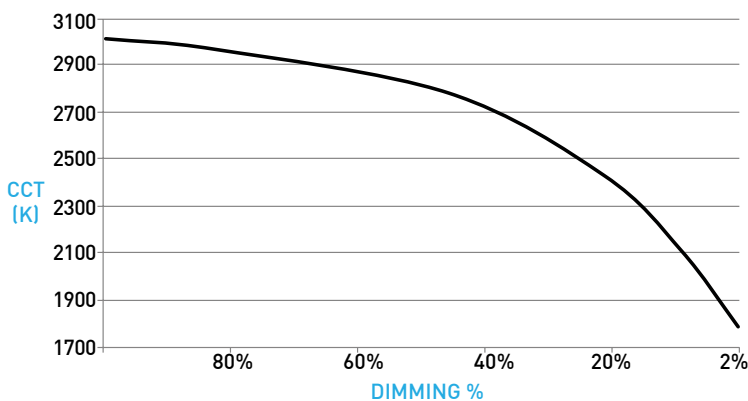
| LIGHT LOSS FACTOR MULTIPLIER | |
|------------------------------|------|
| NO LENS | |
| CGL | 1.00 |
| SFL | 1.00 |
| FGL | 0.90 |
| FSFL | 0.87 |
| FLSL | 0.83 |
| WDL | 0.78 |
| HCL | 0.65 |

TITLE 24 JA8-2019 INDICATED BY SHADING

WARM DIM PERFORMANCE - 40° OPTIC - SOFT FOCUS LENS

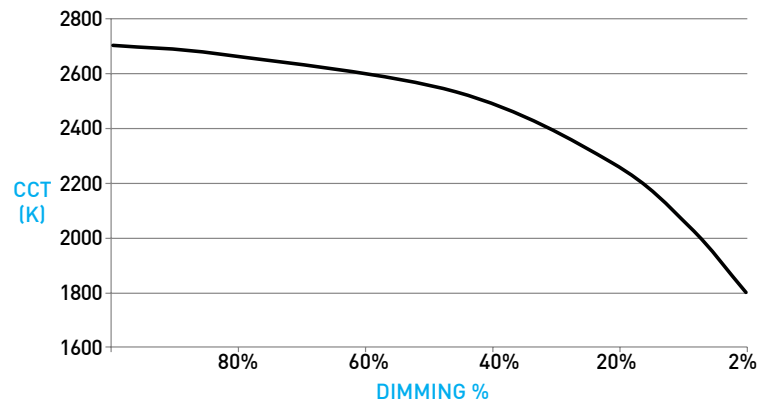
STANDARD WARM DIM PROFILE

| 90W12A 3000K - 1800K | Full on 100% | Dimmed to 80% | Dimmed to 70% | Dimmed to 50% | Dimmed to 20% | Dimmed to 10% | Dimmed to 2% |
|-------------------------|-----------------|------------------|------------------|------------------|------------------|------------------|-----------------|
| CCT (K) | 3000 | 2950 | 2920 | 2775 | 2375 | 2000 | 1800 |
| Light Output (Lm) | 833 | 666 | 583 | 416 | 166 | 83 | 16 |
| Power (W) | 14 | 11 | 10 | 7 | 3 | 1.5 | 0.3 |
| Efficacy (LPW) | 59 | 59 | 59 | 59 | 59 | 59 | 59 |



WARM DIM TO MIRROR INCANDESCENT DIMMING PROFILE

| 90W11A 2700K - 1800K | Full on 100% | Dimmed to 80% | Dimmed to 70% | Dimmed to 50% | Dimmed to 20% | Dimmed to 10% | Dimmed to 2% |
|-------------------------|-----------------|------------------|------------------|------------------|------------------|------------------|-----------------|
| CCT (K) | 2700 | 2650 | 2620 | 2520 | 2180 | 1950 | 1800 |
| Light Output (Lm) | 741 | 593 | 518 | 370 | 148 | 74 | 14 |
| Power (W) | 14 | 11 | 10 | 7 | 3 | 1.5 | 0.5 |
| Efficacy (LPW) | 52 | 52 | 52 | 52 | 52 | 52 | 52 |



FRAZION4 DEEP REGRESS FIXED

DOWNLIGHT

A BAFFLE

ROUND
Die-cast deep baffle features 60° glare cutoff. Minimizes aperture glare and conceals view into housing; includes silicone gasket.

TRANSITIONAL
Die-cast deep baffle transitions from square aperture at ceiling plane to round aperture at light source and features 60° glare cutoff. Minimizes aperture glare and conceals view into housing; includes silicone gasket.

B RETENTION

Integrated metal arm clamps located within fixture body allow discreet flange design, while accommodating varying ceiling thicknesses from 0.125" to 2.50". Snap-on spacer clips (3X) supplied for ceiling thickness below 0.50" only.

C1 STANDARD FLANGE PROFILE

Provides 0.86" total contractor (goof) allowance with 0.50" flange. Thickness measures 0.06". Wet location features integral silicone gasket.

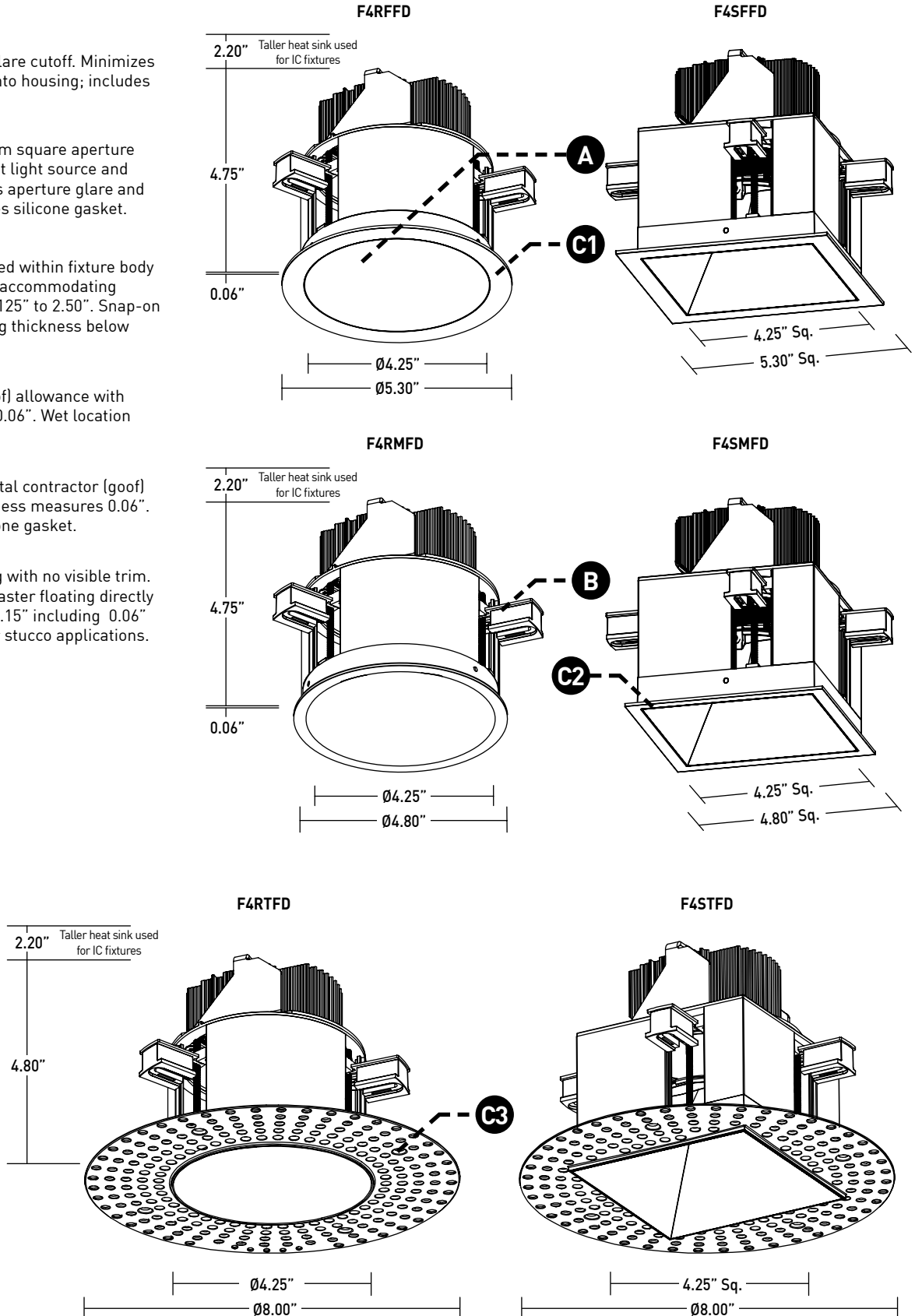
C2 MICROFLANGE PROFILE

Provides industry standard 0.42" total contractor (goof) allowance with 0.28" flange. Thickness measures 0.06". Wet location features integral silicone gasket.

C3 TRIMLESS PROFILE

Installs totally flush with the ceiling with no visible trim. Features integrated appliqué for plaster floating directly to the baffle, thickness measures 0.15" including 0.06" plaster stop. Not recommended for stucco applications.

DIMENSIONS / DRAWINGS



FRAZION4 DEEP REGRESS FIXED

DOWNLIGHT / HOUSING

- D OPTIC**
Proprietary field-changeable optic integrates Reflection, Refraction and TIR offering 15°, 22°, 28°, 40° & 60° beams.
- E EFFECTS DEVICES**
Soft focus lens included and sealed in Wet location option. Fixture is limited to 1 lens. Suction tool provided for removal of Wet location baffles.

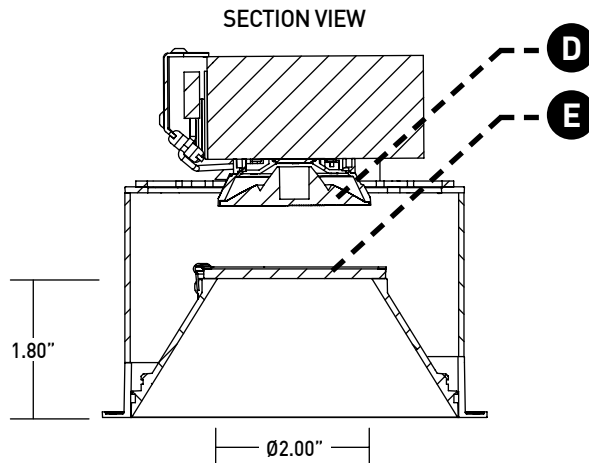
HOUSING / MOUNTING

- F ICT (IC) HOUSING - TALL**
 - For IC ceilings.
 - CCEA, Airtight and Title 24 (JA8) listed.
 - Accommodates max 1326 delivered lumens.
 - No setback from polycell spray foam insulation having max R-Value of 60 on all sides and top of housing.
- G NCT (NIC) HOUSING - TALL**
 - Minimum 0.50" setback from combustible and non-combustible materials on all sides and top of housing.
 - Minimum 3.00" setback from insulation material having max R-Value 30 on all sides and top of housing.
 - Minimum 6.00" setback from polycell spray foam insulation having max R-Value 60.
- H HOUSING COLLAR**
 - Requires 4.625" cutout.
 - Fixed round aperture or square aperture with 45 degree rotation that locks from below providing easy alignment of square aperture housings.
 - Accommodates varying ceiling thicknesses.
- I ADJUSTABLE HANGER BAR HEIGHT ACCESSORY**
Provided with ceiling thickness "T" and recommended for installations in T-Grid and with furring channel. Hanger bars are installed to adjustable bracket. Allows housing to be raised and lowered; ceiling thickness remains 0.5" to 1.0" max.

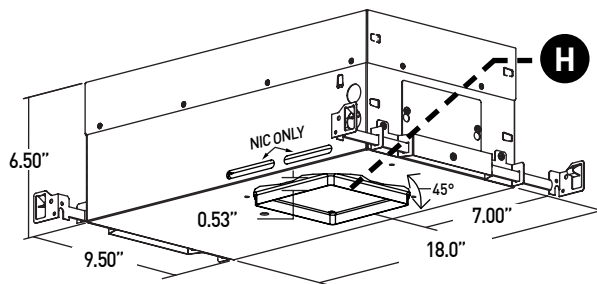
HOUSING / MOUNTING NOTES

- Do not install in environments where ambient temperatures exceed 40°C (104°F).
- Power supply compartment and all splice connections may be serviced from room side.
- Consult factory for spacing requirements for any installations exceeding R-Value 60.
- Hanger bars fitted to short side of housing, and long side of Low Flux housings; extend from 14.0" to 24.0", but may be field cut to accommodate narrow stud spacing. Can be extended up to 46" maximum with FRX-HBE-46 kit.
- Hanger bars and brackets add 4.00" to the overall dimension, but are exclusive of the setback requirements.
- Driver assembly ships with trim, not housing. Housing and trim feature mating quick-connect plugs for ease of installation.

DIMENSIONS / DRAWINGS

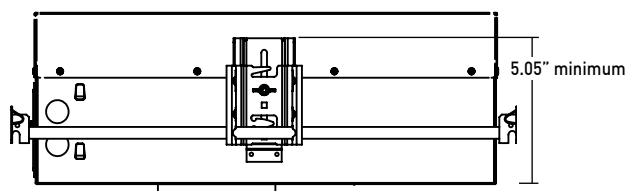


F / G



NOTE: Square housing shown, housing will feature round aperture for round fixtures.

I

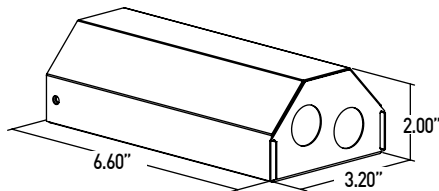


FRACTION4 DEEP REGRESS FIXED

REMOTE POWER SUPPLY

- Provided with install types "IR", "NR" and "AR". Remote power supply provides additional driver options. See page 7 for maximum allowable wiring distance. Must be installed in an accessible location.

J / L

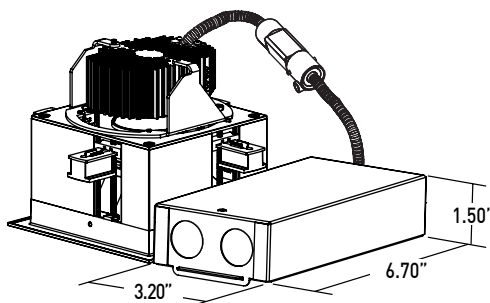


REMODEL POWER SUPPLY

K REMODEL WITH NON-IC TETHERED POWER SUPPLY

- Requires 4.42" cutout.
- Installs without conventional housing using integral mounting clamps.
- Tethered power supply / junction box with metal conduit protected wiring and quick-connect plug between fixture and power supply.
- Minimum 0.75" clearance from top of trim.
- Minimum setback from combustible and non-combustible materials of 6.63" radius from fixture centerline; minimum 3.00" from surfaces of power supply / junction box if not situated within above noted radius from fixture centerline.
- Minimum additional 3.00" setback from insulation material with max R-Value 30 from any surface of downlight fixture assembly.
- Minimum additional 6.00" setback from polycell spray foam insulation with max R-Value 60 from any surface of downlight fixture assembly.

K



L REMOTE APPLICATIONS

- Remote power supply included with "RR" Install Type.
- Requires plenum rated Class 2 cable between fixture and remote driver. Cable supplied by others.
- See page 7 for maximum allowable wiring distance.

REMODEL NOTES

- Do not install in environments where ambient temperatures exceed 40°C (104°F).
- All splice connections serviceable from room side.
- Consult factory for spacing requirements for any installations exceeding R-Value 60.

FRAZION4 DEEP REGRESS FIXED

TECHNICAL

CONSTRUCTION

Downlight: Aluminum and steel. Extruded aluminum heat-sink. Painted finishes are granulated powder coat.

Housing: 22 Gauge galvanized steel.

Remote Power Supply: 22 Gauge galvanized steel.

Appliqué: Zinc Alloy

STATIC WHITE LED

2-step MacAdam ellipse LED module available in 80+, 90+ and 97+ CRI configurations in color temperatures of 2200K, 2700K, 3000K, 3500K and 4000K. Average rated lamp life of 50,000 hours. LED and driver assemblies are field-replaceable.

WARM DIM LED

3-step MacAdam ellipse warm dim LED module available in 90+ CRI configuration. 3000K or 2700K at full brightness, warming to 1800K at full dim. Average rated lamp life of 50,000 hours. LED and driver assemblies are field-replaceable.

TUNABLE WHITE LED

5-step MacAdam ellipse tunable white LED module available in 90+ CRI configuration. Features tuning range of 2700K to 5000K. Average rated lamp life of 50,000 hours. LED and driver assemblies are field-replaceable.

POWER SUPPLY PERFORMANCE AND DIMMING INFORMATION

| Power Supply | ELV | | ECO | 0-10V | | | | | | | DALI | |
|--------------|--------|-------|-------|--------|--------|--------|--------|--------|--------|--------|--------|--------|
| | TR2 | L23 | LH1 | AN4 | LN2 | EA2 | LA2 | DL1 | DG1 | ED1 | LD1 | DD1 |
| Minimum °C | -20 °C | 0 °C | 0 °C | -20 °C | -20 °C | -20 °C | -20 °C | -20 °C | -20 °C | -20 °C | -20 °C | -20 °C |
| Maximum °C | 40 °C | 40 °C | 40 °C | 40 °C | 40 °C | 40 °C | 40 °C | 40 °C | 40 °C | 40 °C | 40 °C | 40 °C |
| Dimming % | 2.0% | 1.0% | 1.0% | 1.0% | 1.0% | 0.1% | 0.1% | 0.1% | 0.1% | 0.1% | 0.1% | 0.1% |

Note: For TR2, L23, LH1, LP1, AN4, EA2 and LA2 drivers consult chart on page 8 to confirm appropriate dimming curve for compatibility with selected control.

MAXIMUM ALLOWABLE REMOTE DRIVER WIRING DISTANCES

| DRIVER | WIRE AWG | | | | |
|-----------------------------------|----------|------|------|-----|-----|
| | 12 | 14 | 16 | 18 | 20 |
| TR2, AN4, LN2 | 285' | 180' | 113' | 71' | 45' |
| L23, LH1 | 60' | 40' | 25' | 15' | - |
| EA2, LA2, ED1, LD1, DG1, DL1, DD1 | - | - | 118' | 72' | 46' |

LISTING

cTUVus listed to UL1598 standard for Dry / Damp and Wet locations.

CCEA, Airtight and Title 24 JA8-2019 Listed.

U.S. Patent: 10,344,958

WEIGHT

Trim - 3.4 lbs max

IC Housing - 7 lbs

NIC Housing - 6 lbs

Remote / Remodel Driver - 1.4 lbs

LIMITED WARRANTY

Manufacturer's Limited Warranty guarantees product(s) listed to be free from defects in material and workmanship under normal use and service for 1-year. LED and power supplies are warranted to operate with 70% of original flux and remain within a range of 3 duv for a period of 5-years.

10-year Lutron Advantage limited warranty available on Lutron equipped systems. Warranty period begins from the date of shipment by Seller and conditional upon the use of manufacturer-supplied power supply. [Consult website for full warranty terms and conditions.](#)

CHANGE LOG

1. 01/12/2021: ADDED 2200K, 2700K-1800K WARM DIM AND 10 DEGREE OPTIC OFFERINGS.

2. 03/15/2021: UPDATED HIGH FLUX STATIC WHITE PHOTOMETRICS.

3. 03/15/2021: REMOVED HIGH FLUX 97+ CRI 3500K OFFERING.

4. 03/15/2021: REMOVED 15 AND 22 DEGREE OPTIC OFFERINGS FROM HIGH FLUX AND ADDED 28 DEGREE OPTIC OFFERING.

5. 11/08/2021: REMOVED IC HOUSING OFFERING FOR 90T14A.

6. 04/07/2022: REMOVED REMOTE REMODEL ACCESSORY KIT PSF4-RMT-AK.

7. 10/17/2022: REMOVED 90W13A 3200K-1800K WARM DIM AND ADDED 90W12A 3000K-1800K WARM DIM.

FRACTION4 DEEP REGRESS FIXED

DIMMING COMPATIBILITY

PHILIPS DRIVER COMPATIBILITY

| Power supply TR2 Manufacturer | Family/Model # |
|---|-----------------------|
| Lutron Electronics | DV-600P |
| Lutron Electronics | DVELV-303P |
| Lutron Electronics | NTELV-600 |
| Lutron Electronics | MAELV-600 |
| Lutron Electronics | SELV-300P |
| Lutron Electronics | DVLV-600P |
| Lutron Electronics | NFTU-5A |
| Lutron Electronics | CTCL-153P |
| Lutron Electronics | GL-600H |
| Lutron Electronics | S-600P |
| Lutron Electronics | PHPM |
| Power supply AN4 Manufacturer | Family/Model # |
| Lutron Electronics | DVTV plus PP-DV |
| Lutron Electronics | DVSCTV plus PP-DV |
| Lutron Electronics | DVSTV |
| Lutron Electronics | DVSCSTV |
| Lutron Electronics | QSGRJ-XP plus GRX-TVI |
| Lutron Electronics | QSGRJ-XE plus GRX-TVI |
| Lutron Electronics | QSGR-XE plus GRX-TVI |
| Lutron Electronics | NFTV plus PP-DV |
| Lutron Electronics | NTSTV |
| Lutron Electronics | RMJ-5T |
| Lutron Electronics | RMJS-8T |
| Lutron Electronics | FCJS-010 |
| Leviton | IllumaTch IP7 series |
| Philips | Sunrise - SR1200ZTUNV |

LUTRON DRIVER COMPATIBILITY

| Power supply L23 Lutron Product Family | Part No. |
|---|------------------------------|
| Maestro WirelessR 600 W dimmer | MRF2-6ND-120- |
| Maestro WirelessR 1000 W dimmer | MRF2-10ND-120- |
| Caséta® Wireless Pro 1000 W dimmer | PD-10NXD- |
| GRAFIK T™ CL® dimmer | GT-250M-GTJ-250M- |
| HomeWorks® QS adaptive dimmer | HQRD-6NA- |
| HomeWorks® QS 600 W dimmer | HQRD-6ND- |
| HomeWorks® QS 1000 W dimmer | HQRD-10ND- |
| RadioRA® 2 adaptive dimmer | RRD-6NA- |
| RadioRA® 2 1000 W dimmer | RRD-10ND |
| myRoom™ DIN power module | MQSE-4A1-D |
| HomeWorks® QS DIN power module | LQSE-4A1-D |
| HomeWorks® QS wallbox power module | HQRJ-WPM-6D-120 |
| HomeWorks® wallbox power module | HWI-WPM-6D-120 |
| GRAFIK Eye® QS control unit | QSGR-, QSGRJ- |
| GRAFIK Eye® 3000 control unit | GRX-3100-GRX-3500- |
| RPM-4U module (LCP, HomeWorks® QS, GRAFIK Systems™, Quantum®) | HW-RPM-4U-120 LP-RPM-4U-120 |
| RPM-4A module (LCP, HomeWorks® QS, GRAFIK Systems™, Quantum®) | HW-RPM-4A-120, LP-RPM-4A-120 |
| GP dimming panels | Various |
| Ariadni CL 250W dimmer | AYCL-253P- |
| Diva CL 250W dimmer | DVCL-253P-DCSCCL-253P- |
| Nova T CL 250W dimmer | NTCL-250- |
| Power supply LH1 / LP1 Lutron Product Family | Part No. |
| PowPak Dimming Modules | RMJ-ECO32-DV-B |
| PowPak Dimming Modules | FCJ/FCJS-ECO |
| Energi Savr Nodes | QSN-1ECO-S |
| GRAFIK Eye QS control unit | QSN-2ECO-S |
| Homeworks QS control unit | QSGRJ- _E (wireless) |
| GRAFIK Eye QS control unit | QSGR- _E |
| Quantum Hub | QP2-__ 2C |
| Quantum Hub | QP2-__ 4C |
| Quantum Hub | QP2-__ 6C |
| Quantum Hub | QP2-__ 8C |
| Homeworks QS power module | LQSE-2ECO-D |
| myRoom Plus power module | |

eldoLED DRIVER COMPATIBILITY

| Power supply EA2 Manufacturer | Family/Model # |
|---|--------------------------------|
| Busch-Jaeger | 2112U-101 |
| Jung | 240-10 |
| Leviton Lighting Controls | IP710-DLX |
| Lightolier Controls | ZP600FAM120 |
| Merten | 5729 |
| Pass & Seymour | CD4FB-W |
| The Watt Stopper | DCLV1 |
| Synergy | ISD BC |
| Crestron® | GLX-DIMFLV8 |
| Crestron® | GLXP-DIMFLV8 |
| Crestron® | GLPAC-DIMFLV4-* |
| Crestron® | GLPAC-DIMFLV8-* |
| Crestron® | GLPP-DIMFLVEX-PM |
| Crestron® | GLPP-1DIMFLV2EX-PM |
| Crestron® | GLPP-1DIMFLV3EX-PM |
| Crestron® | DIN-A08 |
| Crestron® | DIN-4DIMFLV4 |
| Crestron® | CLS-EXP-DIMFLV |
| Crestron® | CLCI-1DIMFLV2EX |
| Power supply LA2 Manufacturer | Family/Model # |
| Lutron Electronics | Nova T® - NTFTV |
| Lutron Electronics | Diva® - DVTV |
| Lutron Electronics | Nova® - NFTV |
| Lutron Electronics | GrafixEye® GRX-TVI w GRX3503 |
| Lutron Electronics | Energy Savr Node™ - QSN-4T16-S |
| Lutron Electronics | TVM2 Module |
| Sensor Switch | nIO EZ |
| ABB | SD/S 2.16.1 |

