

CYLINDER 3 PENDANT UP/DOWN

PROJECT NAME:	TYPE:
---------------	-------



Our best-selling cylinders keep getting better. Suspended cylinders are offered in a broad range of sizes and more than a dozen finish options, with field-cuttable cables and lumens from 800 to almost 4000lm.

ORDERING INFORMATION



Quick Ship Product. All rough in components ship within 10 days up to quantities of 100.



JA8-2022 COMPLIANCE INDICATED BY SHADING

CYLINDER	LENGTH	FUNCTION	RATING	CYLINDER FINISH	BAFFLE FINISH	CRI / WATTAGE PACKAGE	CCT	LOWER OPTIC (UGR)	LOWER MEDIA	POWER SUPPLY	MOUNTING
CP3X		U	1								
CP3X 3.91" Ø	096W 96" White	U Up/Down	1 Dry / Damp (IP30)	POWDERCOAT FINISHES	POWDERCOAT FINISHES	STATIC WHITE	24 2400K* *90+CRI only	10 10°* (<10) *11/17 Watts only	STANDARD MEDIA 4 Soft Focus Lens (SFL) 0 No Lens* *Recommended for 10° optic, not available for Warm Dim ALTERNATE MEDIA 2 Honey Comb Louver (HCL)* *Not available for Warm Dim 3 Clear Glass Lens (CGL)* *Not available for Warm Dim 4 Frosted Glass Lens (FGL) 6 Frosted Soft Focus Lens (FSFL) 7 Frosted Linear Spread Lens (FLSL) C Clear Glass Film w/ Honeycomb Louver S Soft Focus Film w/ Honeycomb Louver	INTEGRAL 15N 0-10V, 1% LIN 15G 0-10V, 1% LOG PH6 Forward/Reverse Phase, 1% REMOTE (120V) 1TR Philips, 2% Forward/Reverse* *11 & 17 Watts only 1L2 Lutron Hi-Lume 1%, 2-Wire 1RE Forward/Reverse REMOTE (120-277V) URA 0-10V Analog ULH Lutron Hi-Lume Ecosystem 1% Fade to Black UAN Philips Xitanium 1% 0-10V, LOG ULN Philips Xitanium 1% 0-10V, LIN UEG eldoLED, SOLOdrive 0.1% 0-10V, LOG UEN eldoLED, SOLOdrive 0.1% 0-10V, LIN UED eldoLED, SOLOdrive 0.1% DALI-2, LOG ULD eldoLED, SOLOdrive 0.1% DALI-2, LIN UAS/ Athena Control UAR EldoLED, SOLOdrive 0.1% 120-277V* UCS/Casambi Control UCR EldoLED, SOLOdrive 0.1% 120-277V* *Includes Node. Extended lead time, consult factory. UAR/UCR includes shunt.	ROUGH-IN JBMP 4" Sq. or 4/0 Junction Box Mounting Plate FINISH OUT CMJB * 1/2" and 3/4" Conduit Ceiling Mount Junction Box* *Available in powdercoat finishes. Alumina finish fixtures ship with Black powdercoat (CMJB.) SMK3 3/0 Surface Mount Kit SMK4 4/0 Surface Mount Kit
	192W 192" White			WH White	WH White	80S11B 80+ CRI, 11W Down, 14W Up Down: Lm. Delivered - 1240 Up: Lm. Delivered - 1235	27 2700K	15 15° (<13)			
	096B 96" Black			AG Satin Silver	AG Satin Silver	80S17B 80+ CRI, 17W Down, 14W Up Down: Lm. Delivered - 1943 Up: Lm. Delivered - 1235	30 3000K	20 20° (<10)			
	192B 192" Black			AU Cashmere Gold	AU Cashmere Gold	90S11B 90+ CRI, 11W Down, 14W Up Down: Lm. Delivered - 1060 Up: Lm. Delivered - 1074	35 3500K	25 25° (<10)			
	XXXB Black Cable*			AB Architectural Bronze	AB Architectural Bronze	90S17B 90+ CRI, 11W Down, 14W Up Down: Lm. Delivered - 1661 Up: Lm. Delivered - 1074	40 4000K	40 40° (<10)			
	XXXW White Cable*			BB Burnt Bronze	BB Burnt Bronze	WARM DIM		20 20° (<10)			
	*(Specify length in inches)			BK Black	BK Black	90W23B 90+ CRI, 23W Down, 14W Up Down: 1777 Lm. Delivered Up: Lm. Delivered - 1227	WD 3000K - 1800K	25 25° (<10)			
	(Cable is field cuttable)			CF Custom Finish *Consult Factory	CF Custom Finish* *Consult Factory			40 40° (<10)			
				ALUMINA FINISHES	ALUMINA FINISHES			60 60° (<13)			
				01 Brushed Obsidian	01 Brushed Obsidian						
	02 Matte Obsidian	02 Matte Obsidian									
	03 Brushed Dark Patinated Bronze	03 Brushed Dark Patinated Bronze									
	04 Matte Dark Patinated Bronze	04 Matte Dark Patinated Bronze									
	05 Brushed Aged Aluminum	05 Brushed Aged Aluminum									
	06 Matte Aged Aluminum	06 Matte Aged Aluminum									
	07 Brushed Cast Brass	07 Brushed Cast Brass									
	08 Matte Cast Brass	08 Matte Cast Brass									
	09 Brushed Light Patinated Bronze	09 Brushed Light Patinated Bronze									
	10 Matte Light Patinated Bronze	10 Matte Light Patinated Bronze									

*ALL DELIVERED LUMEN OUTPUTS AND REFLECT 3000K PAIRED WITH 20° OPTIC AND SOFT FOCUS LENS.

*SEE PAGE 3 FOR UGR VALUES

POWDERCOAT FINISHES



ALUMINA FINISHES BY LUCIFER LIGHTING™



PART NUMBER NOTES

- CP3X ships as e.g., CP3X048U1WHBK80S23B1SN4
- Remote driver ships as e.g., PS-RMT-80S23B-11SN
- Mounting part numbers listed on page 5



CYLINDER 3 PENDANT UP/DOWN

ACCESSORIES

REPLACEMENT MEDIA

Dry / Damp location only, consult factory for wet location replacements

- SFL-CY3X-03** Soft Focus Lens
- HCL-CY3X-03** Honeycomb Louver *
- CGL-CY3X-03** Clear Glass Lens *
- FGL-CY3X-03** Frosted Glass Lens
- FSFL-CY3X-03** Frosted Soft Focus Lens
- FLSL-CY3X-03** Frosted Linear Spread Lens
- CGL-HCL-CY3X-03** Clear Glass Film W/ Honeycomb Louver
- SFL-HCL-CY3X-03** Soft Focus Film W/ Honeycomb Louver

STATIC WHITE REPLACEMENT OPTICS

- RO-70-15-S** 15° optic
- RO-70-20-S** 20° optic
- RO-70-25-S** 25° optic
- RO-70-40-S** 40° optic
- RO-70-60-S** 60° optic

WARM DIM REPLACEMENT OPTICS

- RO-70-20-W** 20° optic
- RO-70-25-W** 25° optic
- RO-70-40-W** 40° optic
- RO-70-60-W** 60° optic

EMERGENCY LIGHTING - REMOTE MOUNT ONLY

During disruption of main power, emergency battery inverter provides temporary 120V or 277V to fixture.

- EMB-S-25-120/277-LEDX** 25 watt max capacity, 120 or 277 VAC 60Hz
- EMB-S-100-120-LEDX** 100 watt max capacity, 120 VAC 60Hz, 0-10V dimmable
- EMB-S-100-277-LEDX** 100 watt max capacity, 277 VAC 60Hz, 0-10V dimmable
- EMB-S-250-120/277-LEDX** 250 watt max capacity, 120 or 277 VAC 60Hz

***SHUNT REQUIRED FOR USE WITH ATHENA AND CASAMBI CONTROLS, CONSULT FACTORY FOR DETAILS.**

CYLINDER 3 PENDANT UP/DOWN

STATIC WHITE PERFORMANCE - 3000K

LUMEN PACKAGE	WATTAGE	10° OPTIC NO LENS		15° OPTIC SOFT FOCUS LENS		20° OPTIC SOFT FOCUS LENS		25° OPTIC SOFT FOCUS LENS		40° OPTIC SOFT FOCUS LENS		60° OPTIC SOFT FOCUS LENS	
		DLVD	LPW	DLVD	LPW	DLVD	LPW	DLVD	LPW	DLVD	LPW	DLVD	LPW
80S11B	11	950	86	1169	106	1240	112	1243	112	1185	107	1156	105
80S17B	17	1357	79	1771	104	1943	114	1931	113	1858	109	1801	105
80S23B	23	-	-	2301	100	2559	111	2541	110	2409	104	2373	103
90S11B	11	812	73	1008	91	1060	96	1062	96	1013	92	988	89
90S17B	17	1160	68	1527	89	1661	97	1650	97	1588	93	1539	90
90S23B	23	-	-	1984	86	2187	95	2172	94	2059	89	2028	88
90W23BL (2700K-1800K)	23	-	-	-	-	1642	71	1626	70	1556	67	1491	65
90W23BD (3000K-1800K)	23	-	-	-	-	1777	77	1742	75	1685	73	1600	69

MEDIA LIGHT LOSS FACTOR

MEDIA	LIGHT LOSS FACTOR
No Lens	1.07
CGL	0.99
SFL	1.00
FGL	0.88
FSFL	0.91
FLSL	0.81
HCL	0.71
SFL+HCL	0.66

UPLIGHT PERFORMANCE BY CCT

LUMEN PACKAGE	WATTAGE	2700K CCT		3000K CCT		3500K CCT		4000K CCT		1800K-300K WARM DIM	
		DLVD	LPW	DLVD	LPW	DLVD	LPW	DLVD	LPW	DLVD	LPW
80S14L	14	1198	87	1235	88	1289	94	1336	97		
90S14L	14	988	73	1074	78	1129	82	1062	96		
90W14LD (2700K-1800K)	14									1227	77

OUTPUT MULTIPLIER

CCT	CCT SCALE
2400K	0.76
2700K	0.957
3000K	1.000
3500K	1.019
4000K	1.030



JA8-2022 INDICATED BY SHADING

UNIFIED GLARE RATING

10° OPTIC NO LENS	15° OPTIC SOFT FOCUS LENS	20° OPTIC SOFT FOCUS LENS	25° OPTIC SOFT FOCUS LENS	40° OPTIC SOFT FOCUS LENS	60° OPTIC SOFT FOCUS LENS
<10	<13	<10	<10	<10	<13

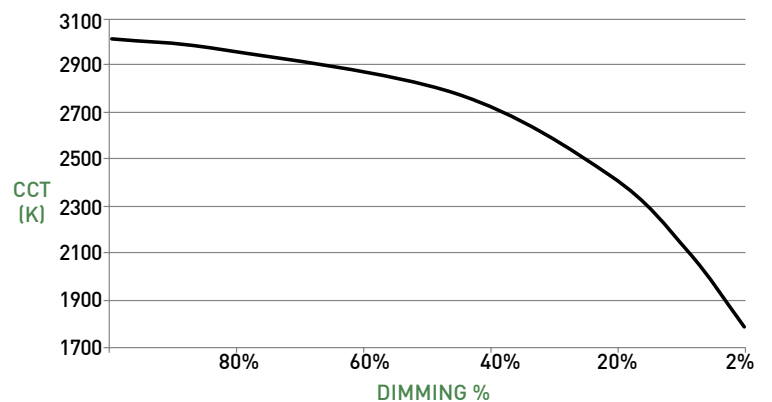
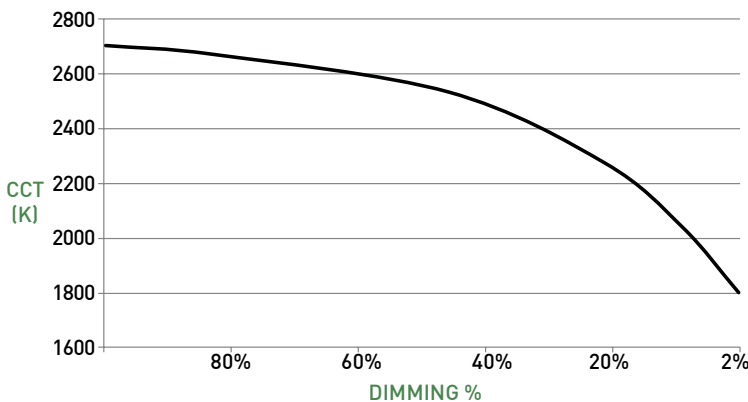
WARM DIM PERFORMANCE - SOFT FOCUS LENS - 20° OPTIC

INCANDESCENT DIMMING PROFILE

90W23BL 2700K - 1800K	Full on 100%	Dimmed to 80%	Dimmed to 70%	Dimmed to 50%	Dimmed to 20%	Dimmed to 10%	Dimmed to 2%
CCT (K)	2700	2650	2620	2520	2180	1950	1800
Light Output (Lm)	1642	1314	1149	821	328	164	33
Power (W)	23	18	16	12	5	2.3	0.5
Efficacy (LPW)	71	71	71	71	71	71	71

HALOGEN DIMMING PROFILE

90W23BD 3000K - 1800K	Full on 100%	Dimmed to 80%	Dimmed to 70%	Dimmed to 50%	Dimmed to 20%	Dimmed to 10%	Dimmed to 2%
CCT (K)	3000	2950	2920	2775	2375	2000	1800
Light Output (Lm)	1777	1422	1244	889	355	178	36
Power (W)	23	18	16	12	5	2.3	0.5
Efficacy (LPW)	74	74	74	74	74	74	74

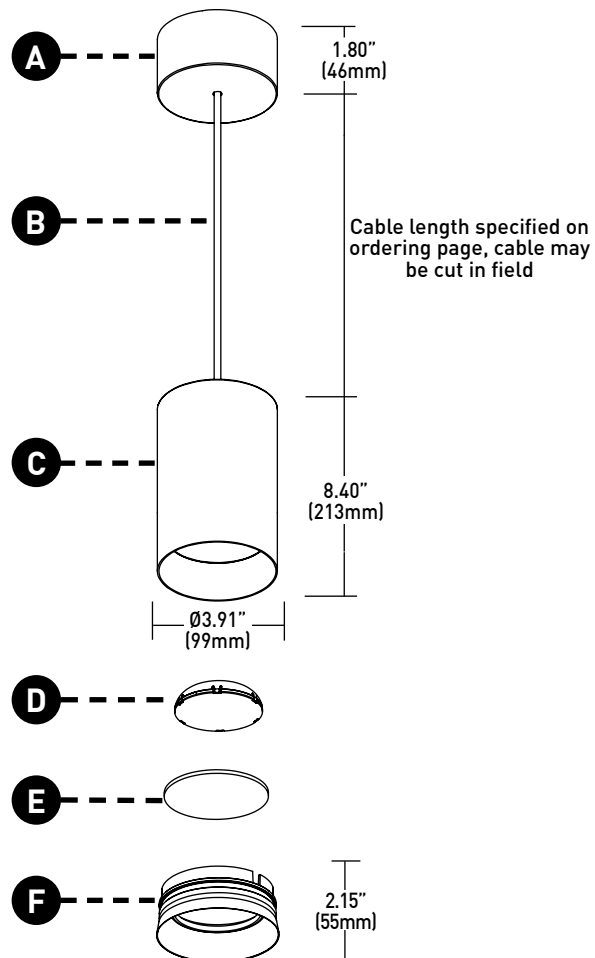


CYLINDER 3 PENDANT UP/DOWN

PENDANT

DIMENSIONS / DRAWINGS

- A CANOPY**
Die-cast 1.80" (46mm) canopy accommodates flat and slope ceiling conditions. Conceals hidden twist-on mounting hardware. Available with integral or remote driver.
- B CABLE**
Black and white wiring harness available; up to 192.0" length; cable may be cut in field.
- C LUMINAIRE**
Die-cast body with integral heat sink and LED.
- D OPTICS**
Robust light engine with optimized optic pairing integrates Reflection, Refraction, and TIR offering 10°, 15°, 20°, 25°, 40° & 60° beams. Uplight does not feature optic.
- E MEDIA**
Cylinder baffle assembly can accept 2 lenses; soft focus lens or no lens standard and sealed in place. Uplight media features high performance diffusion film
- F BAFFLE**
Die-cast baffle minimizes aperture glare and conceals view into fixture.



CYLINDER 3 PENDANT UP/DOWN

MOUNTING

G JBMP
Mounting plate (concealed) for standard 4" square or 4" 4/0 j-box. To be installed during rough-in prior to substrate. Fixture to mount flush with minimalist transition to ceiling.

Part Number - CP3X-JBMP

H SMK3
Surface mount kit includes mounting plate and 4" concealer plate that installs between fixture and standard 3" 3/0 j-box for existing applications where standard j-box cutout is to be concealed.

Part Number - CP3X-SMK-3/0-(FINISH)

I SMK4
Surface mount kit includes mounting plate and 5" concealer plate that installs between fixture and standard 4" 4/0 j-box for existing applications where standard j-box cutout is to be concealed.

Part Number - CP3X-SMK-4/0-(FINISH)

J CMJB
Ceiling mount junction box perfectly matches the cylinder profile for a continuous, integrated look where exposed ceiling mount junction box and conduit applications apply. For use with 1/2" and 3/4" EMT conduit only. Features two conduit entrances on either side and one conduit knockout on top of j-box. J-box is IP10 rated; painted finishes only. Blank off plugs included.

Part Number - CP3X-CMJB-(FINISH)

MOUNTING NOTES

- JBMP and SMK-3/0 & 4/0 not recommended for use with pancake style j-box.
- Fixtures are surface mount and must have access to free air. For applications involving slat ceilings or confined mounting, consult Comprehensive Install Guide for required clearances for proper air flow and servicing.

REMOTE POWER SUPPLY

K PS-RMT
Remote power supply must be mounted in accessible area. Mounting device still required. Consult page 7 for dimming compatibility list. Consult install guide for complete details of suitable controls, wiring diagrams, and maximum allowable secondary run lengths between PS-RMT and cylinder.

L ATHENA / CASAMBI CONTROL
Controls integrated into remote driver assembly. All equipment is serviceable.

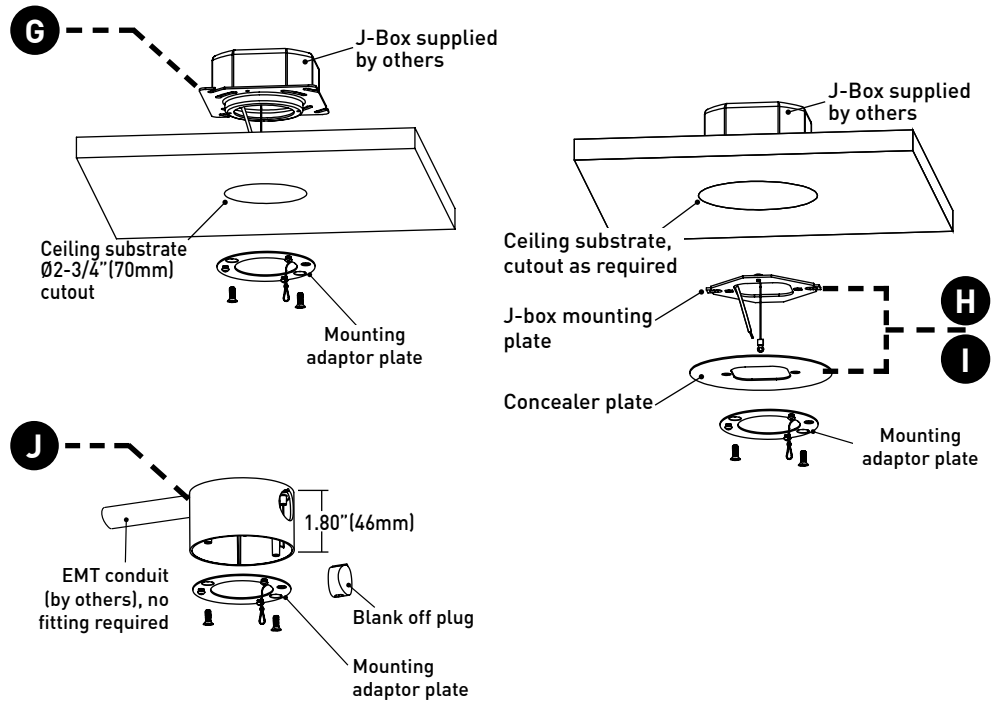
Athena Model Number: A-WN-D01-RF-BL & DC-0EM-DBI

Casambi Model Number: BT-S1E1-5400

M ATHENA / CASAMBI EM SHUNT
Included with drivers specified as ASR, ADR, CSR, or CDR. One required for each wireless EM fixture, requires class 2 control wiring between fixture and shunt. Features integrated test switch.

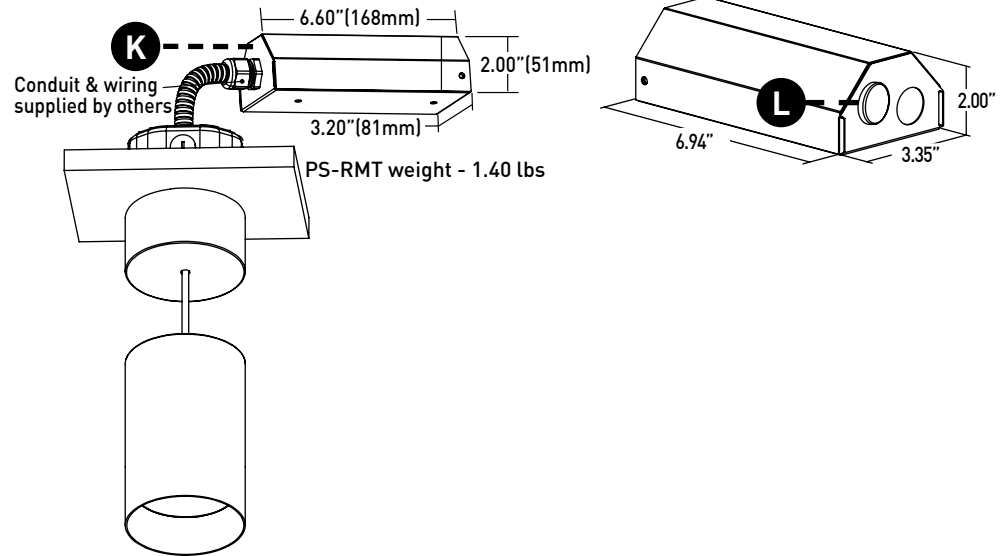
Model Number: PS-RMT-SHUNT

DIMENSIONS / DRAWINGS



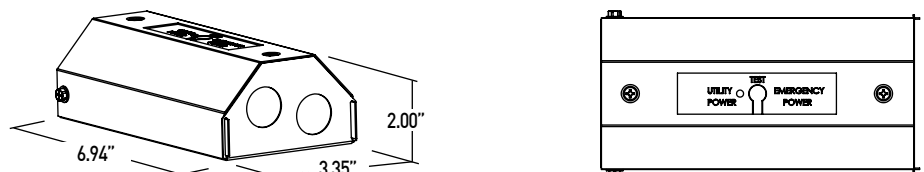
STANDARD ENCLOSURE

ATHENA / CASAMBI ENCLOSURE



PS-RMT weight - 1.40 lbs

ATHENA / CASAMBI EM SHUNT



CYLINDER 3 PENDANT UP/DOWN

TECHNICAL

CONSTRUCTION

Pendant: Machined aluminum body with integrated heat sink; painted finishes are granulated powder coat. Alumina finishes are anodized aluminum.

CMJB: Die-cast aluminum body; painted finishes are granulated powder coat.

Remote Power Supply: 22 Gauge galvanized steel.

STATIC WHITE LED

2-step MacAdam ellipse LED module available in 80+, 90+ and 95+ CRI configurations in color temperatures of 2700K, 3000K, 3500K and 4000K.
3-step MacAdam ellipse LED module available in 90+ CRI configuration in color temperature of 2400K. Average rated lamp life: 50,000 hours. LED and driver assemblies are field-replaceable.

WARM DIM LED

3-step MacAdam ellipse warm dim LED module available in 90+ CRI configuration. 3000K or 2700K at full brightness, warming to 1800K at full dim. Average rated lamp life of 50,000 hours. LED and driver assemblies are field-replaceable.

POWER SUPPLY PERFORMANCE AND DIMMING INFORMATION

Power Supply	PHASE			0-10V				ECO	DALI		ATHENA	CASAMBI	
	PH6	1TR	1L2	URA	UAN	ULN	UEG	UEN	ULH	UED	ULD	UAS	UCS
Minimum °C	-20 °C	-20 °C	0 °C	-20 °C	-20 °C	-20 °C	-20 °C	-20 °C	0 °C	-20 °C	-20 °C	0 °C	-20 °C
Maximum °C	40 °C	40 °C	40 °C	40 °C	40 °C	40 °C	40 °C	40 °C	40 °C	40 °C	40 °C	40 °C	40 °C
Dimming %	1.0%	2.0%	1.0%	1.0%	1.0%	1.0%	0.1%	0.1%	1.0%	0.1%	0.1%	0.1%	0.1%

Note: For 1TR, 1L2, ULH, UAN, ULN, UEG and UEN drivers consult chart on page 8 to confirm appropriate dimming curve for compatibility with selected control.

MAXIMUM ALLOWABLE REMOTE DRIVER WIRING DISTANCES

DRIVER	WIRE AWG				
	12	14	16	18	20
PH6	-	164'	105'	66'	40'
URA, 1TR, UAN, ULN	285'	180'	113'	71'	45'
1L2, ULH	60'	40'	25'	15'	-
UEG, UEN, UED, ULD, UAS, UCS	-	-	118'	72'	46'

MOUNTING

Cylinder is supplied with a mounting adaptor plate, which integrates with required additional mounting accessories specified separately according to field application conditions, providing a minimalist transition from standard 4/0 or 4" square junction boxes and accommodating ceiling thicknesses of 0.44" (12mm) to 0.75" (19mm). Ceiling-mount junction box available for 1/2" (13mm) and 3/4" (19mm) conduit and feature concealed internal clamps for clean fitting-free conduit exit and entry.

LISTING

cTUVus listed to UL1598 standard for Dry / Damp (IP30) location. Title 24 JA8-2022 Listed. NEMA 410 Compliant. Buy American Act compliant.

DECLARE

LBC Declared.

FIXTURE WEIGHT

CP3X / Mounting - 5 lbs
Remote Driver - 1.4 lbs

LIMITED WARRANTY

Manufacturer's 1-year warranty guarantees product(s) listed to be free from defects in material and workmanship under normal use and service. 5-year warranty on LED and power supply to operate with 70% of the original flux and remain within a range of 3 duv. 10-year Lutron Advantage limited warranty available on Lutron equipped systems. Warranty period begins from the date of shipment by Seller. Consult [website](#) for full warranty terms and conditions.

Declare.

CYLINDER 3 PENDANT UP/DOWN

DIMMING COMPATIBILITY

PHILIPS DRIVER COMPATIBILITY

Power supply 1TR Manufacturer	Family/Model #
Lutron Electronics	DV-600P
Lutron Electronics	DVELV-303P
Lutron Electronics	NTELV-600
Lutron Electronics	MAELV-600
Lutron Electronics	SELV-300P
Lutron Electronics	DVLV-600P
Lutron Electronics	NFTU-5A
Lutron Electronics	CTCL-153P
Lutron Electronics	GL-600H
Lutron Electronics	S-600P
Lutron Electronics	PHPM
Power supply UAN / ULN Manufacturer	Family/Model #
Lutron Electronics	DVTV plus PP-DV
Lutron Electronics	DVSCTV plus PP-DV
Lutron Electronics	DVSTV
Lutron Electronics	DVSCSTV
Lutron Electronics	QSGRJ-XP plus GRX-TVI
Lutron Electronics	QSGRJ-XE plus GRX-TVI
Lutron Electronics	QSGR-XE plus GRX-TVI
Lutron Electronics	NFTV plus PP-DV
Lutron Electronics	NTSTV
Lutron Electronics	RMJ-5T
Lutron Electronics	RMJS-8T
Lutron Electronics	FCJS-010
Leviton	IlumaTch IP7 series
Philips	Sunrise - SR1200ZTUNV

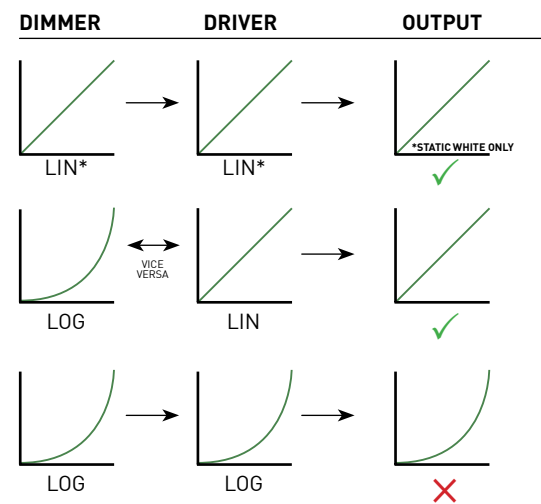
LUTRON DRIVER COMPATIBILITY

Power supply 1L2 Lutron Product Family	Part No.
Maestro WirelessR 600 W dimmer	MRF2-6ND-120-
Maestro WirelessR 1000 W dimmer	MRF2-10ND-120-
Caséta® Wireless Pro 1000 W dimmer	PD-10NXD-
GRAFIK T™ CL® dimmer	GT-250M-GTJ-250M-
HomeWorks® QS adaptive dimmer	HQRD-6NA-
HomeWorks® QS 600 W dimmer	HQRD-6ND-
HomeWorks® QS 1000 W dimmer	HQRD-10ND-
RadioRA® 2 adaptive dimmer	RRD-6NA-
RadioRA® 2 1000 W dimmer	RRD-10ND
myRoom™ DIN power module	MQSE-4A1-D
HomeWorks® QS DIN power module	LQSE-4A1-D
HomeWorks® QS wallbox power module	HQRJ-WPM-6D-120
HomeWorks® wallbox power module	HWI-WPM-6D-120
GRAFIK Eye® QS control unit	QSGR-, QSGRJ-
GRAFIK Eye® 3000 control unit	GRX-3100-GRX-3500-
RPM-4U module (LCP, HomeWorks® QS, GRAFIK Systems™, Quantum®)	HW-RPM-4U-120 LP-RPM-4U-120
RPM-4A module (LCP, HomeWorks® QS, GRAFIK Systems™, Quantum®)	HW-RPM-4A-120, LP-RPM-4A-120
GP dimming panels	Various
Ariadni CL 250W dimmer	AYCL-253P-
Diva CL 250W dimmer	DVCL-253P-DCSCCL-253P-
Nova T CL 250W dimmer	NTCL-250-
Power supply ULH Lutron Product Family	Part No.
PowPak Dimming Modules	RMJ-ECO32-DV-B
PowPak Dimming Modules	FCJ/FCJS-ECO
Energi Savr Nodes	QSN-1ECO-S
GRAFIK Eye QS control unit Homeworks QS control unit	QSN-2ECO-S
GRAFIK Eye QS control unit Homeworks QS control unit	QSGRJ-_E (wireless) QSGR-_E
Quantum Hub	QP2-_ _ 2C
Quantum Hub	QP2-_ _ 4C
Quantum Hub	QP2-_ _ 6C
Quantum Hub	QP2-_ _ 8C
Homeworks QS power module myRoom Plus power module	LQSE-2ECO-D

eldoLED DRIVER COMPATIBILITY

Power supply UEG / UEN Dimmer / Switch Control Manufacturer	Family/Model #
Busch-Jaeger	2112U-101
Jung	240-10
Leviton Lighting Controls	IP710-DLX
Lightolier Controls	ZP600FAM120
Lutron Electronics	Nova T® - NTFTV
Lutron Electronics	Divva® - DVTV
Lutron Electronics	Nova® - NFTV
Merten	5729
Pass & Seymour	CD4FB-W
The Watt Stopper	DCLV1
Sensor Switch	nIO EZ
Synergy	ISD BC
Power supply UEG / UEN Dimmer / Switch Control Manufacturer	Family/Model #
Dimmer / Switch Control Manufacturer	GrafixEye® GRX-TVI w GRX3503 Energy Savr Node™ - QSN-4T16-S
Lutron Electronics	TVM2 Module
Crestron®	GLX-DIMFLV8
Crestron®	GLXP-DIMFLV8
Crestron®	GLPAC-DIMFLV4-*
Crestron®	GLPAC-DIMFLV8-*
Crestron®	GLPP-DIMFLVEX-PM
Crestron®	GLPP-1DIMFLV2EX-PM
Crestron®	GLPP-1DIMFLV3EX-PM
Crestron®	DIN-A08
Crestron®	DIN-4DIMFLV4
Crestron®	CLS-EXP-DIMFLV
Crestron®	CLCI-1DIMFLV2EX
ABB	SD/S 2.16.1

ANALOG DRIVERS AND DIMMERS



LIN = LINEAR
 LOG = LOGARITHMIC
 *LIN-TO-LIN NOT COMPATIBLE FOR WARM DIM

