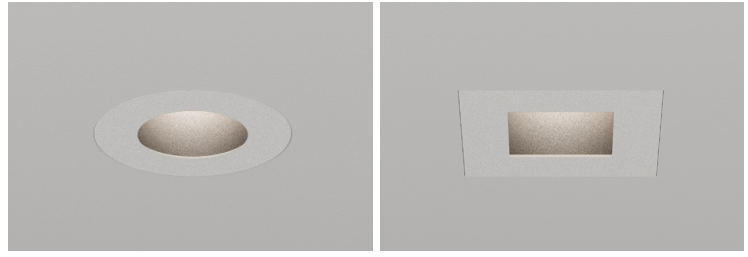


ATOMOS™ 1 PINHOLE

UNIVERSAL AND SLIM

A miniature downlight range offering impressive performance in an extremely small profile with a 1" aperture and 2" overall diameter.

PROJECT NAME:	TYPE:
---------------	-------



ORDERING INFORMATION - TRIM / HOUSING

TRIM	TRIM TYPE	RATING	TRIM FINISH	BAFFLE FINISH	FIXTURE TYPE	INSTALL TYPE	LUMEN PACKAGE	CCT	OPTIC	MEDIA	DRIVER
				BK							
A2RP	1" Round Pinhole	T Zero-Sightline Drywall	WH White	BK Black	5.52" UNIVERSAL HOUSING (SEPARATE TRIM AND HOUSING) 1/2" - 2" MAX CEILING THICKNESS		STATIC WHITE	24 2400K*	15 15°	STANDARD	ALL INSTALL TYPES
A2SP	1" Square Pinhole	W Zero-Sightline Millwork*	AG Satin Silver		AD Adjustable, 30° Max Tilt	INTEGRAL	8008D 80+ CRI AD/FD Lm. Delivered - 257 SF Lm. Delivered - 375	27 2700K	25 25°	4 Soft Focus Film	PH 1% Forward / Reverse, 120V eldoLED, ECOdrive 1% 0-10V, LOG, 120 - 277V
		2 Wet (IP44)	BK Black		FD Fixed	I IC	8012D 80+ CRI AD/FD Lm. Delivered - 440 SF Lm. Delivered - 641	30 3000K	35 35°	ALTERNATE	SG eldoLED, ECOdrive 1% 0-10V, LIN, 120 - 277V
			CF Custom Finish* *(Consult Factory)			A IC, Airtight* *(Chicago Plenum & Airtight compliant housing)	8016D 80+ CRI Max Flux SF Lm. Delivered - 775* *(SF Fixture Type Only)	35 3500K	50 50°		0 No Media* *(Not available for Wet Location, Warm Dim, or Airtight Housings)
										2 Honeycomb Louver* *(Not available for Wet Location, Warm Dim, or Airtight Housings)	EG eldoLED, SOLOdrive 0.1% 0-10V, LOG, 120 - 277V
										3 Clear Film* *(Not available for Warm Dim)	EN eldoLED, SOLOdrive 0.1% 0-10V, LIN, 120 - 277V
										S Honeycomb Louver w/ Soft Focus Film	ED eldoLED, SOLOdrive 0.1% DALI-2, LOG, 120 - 277V
										C Honeycomb Louver w/ Clear Film* *(Not available for Warm Dim)	LP Lutron, Premier Ecosystem 0.1% Fade to Black, 120 or 277V
											REMOTE ONLY
							WARM DIM	15 15°	15 15°		L2 Lutron, Hi-Lume 1% 2-Wire, 120V
							9005D 90+ CRI, AD/FD Lm. Delivered - 187 SF Lm. Delivered - 297	WL 2700K - 1800K	25 25°		LH Lutron, Hi-Lume Ecosystem 1% Fade to Black, 120 or 277V
							9009D 90+ CRI, AD/FD Lm. Delivered - 320 SF Lm. Delivered - 508	WD 3000K - 1800K	35 35°		ASI/ Athena Control
											ASR eldoLED, SOLOdrive 0.1% 120-277V*
											CS1/ Casambi Control
											CSR eldoLED, SOLOdrive 0.1% 120-277V*
											*Includes Node. Extended lead time, consult factory ASR/CSR includes shunt!
											TUNABLE WHITE REMOTE (0.1%, 120-277V)
											DD eldoLED, DUALdrive DALI-2, LOG
											DG eldoLED, DUALdrive 0-10V, LOG
											DN eldoLED, DUALdrive 0-10V, LIN
											AD1/ Athena Control, EtdoLED, DUALdrive*
											ADR EtdoLED, DUALdrive*
											CD1/ Casambi Control, EtdoLED, DUALdrive*
											*Includes Node. Extended lead time, consult factory for EM use, ADR/CDR includes shunt!
					SF Fixed	INTEGRAL	TUNABLE WHITE	35 35°	35 35°		
						X IC	9010D 90+ CRI, Warm Profile AD/FD Lm. Delivered - 373 SF Lm. Delivered - 543	TR 4000K - 1800K	50 50°		
						Y NIC					
						C IC, Airtight* *(Chicago Plenum & Airtight compliant housing)	Cool Profile AD/FD Lm. Delivered - 328 SF Lm. Delivered - 478	TH 5000K - 2700K			
						REMOTE					
						V IC, Remote					
						W NIC, Remote					
						D IC, Airtight, Remote* *(Chicago Plenum & Airtight compliant housing)					



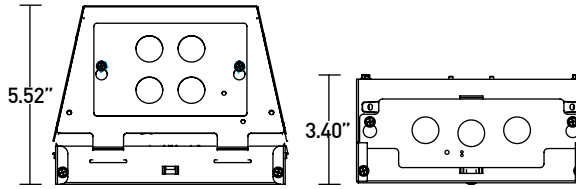
PART NUMBER NOTES

- Universal trims ship as e.g: A2RPTAD1AGBK-9010D30-AZI-PH*4
- Universal housings ship as e.g: IFR-A2I-280A-PH*
- Slim fixtures ship as e.g: A2RPTSF1AGBK-9010D30-AZY-PH*4
- Remote drivers ship as e.g: PSA2-RMT-280A-PH*



ATOMOS1 PINHOLE UNIVERSAL AND SLIM

HOUSING COMPARISON



HOUSING COMPARISON	UNIVERSAL HOUSING	SLIM HIGH OUTPUT HOUSING
FIXTURE TYPES	AD FD	SF
HOUSING DEPTH	5.52"	3.4"
MAX DELIVERED LUMENS	AD - 469 FD - 469	SF - 632
MAX CEILING THICKNESS	2"	1"
ROTATING COLLAR	NO	YES
OPTICS	15°, 25°, 35°, 50°, & ADJUSTABLE ZOOM	15°, 25°, 35°, & 50°

ACCESSORIES

ALTERNATE EFFECTS DEVICES

Consult factory for additional configurations.

- CGL-AR** Clear Film*
*(Not available for Warm Dim. Consult factory for Wet locations.)
- SFL-AR** Soft Focus Film*
*(Consult factory for Wet locations.)
- HCL-AR** Honeycomb Louver*
*(Not available for Warm Dim unless paired with Soft Focus Film. Not available for wet location unless paired with film.)

HANGER BAR EXTENDER KIT

Extends hanger bars from 24.0" to 46.0" maximum.

- FRX-HBE-46** Extender, Hanger Bar.

T-GRID ACCESSORY KIT

Recommended for installations in T-Grid up to 1.5" tall.

- DHA-TG-KIT**

INSTALLATION / REMOVAL TOOL

Required for installation. One provided for every 10 fixtures.

- A2-TOOL-INSTALL** Installation Tool

EMERGENCY LIGHTING - REMOTE MOUNT ONLY

During disruption of main power, emergency battery inverter provides temporary 120V or 277V to fixture.

- EMB-S-25-120/277-LEDX** 25 watt max capacity, 120 or 277 VAC 60Hz, Non-Dimmable
- EMB-S-100-120-LEDX** 100 watt max capacity, 120 VAC 60Hz, 0-10V Dimmable
- EMB-S-100-277-LEDX** 100 watt max capacity, 277 VAC 60Hz, 0-10V Dimmable
- EMB-S-250-120/277-LEDX** 250 watt max capacity, 120 or 277 VAC 60Hz, 0-10V Dimmable

REPLACEMENT OPTICS

Interchangeable optics accessible through fixture aperture.

- RO-A-15-1** 15° optic *
*(Not available for Tunable White.)
- RO-A-25-1** 25° optic*
*(Not available for Tunable White.)
- RO-A-35-1** 35° optic
- RO-A-50-1** 50° optic
- RO-A-AZ-1** Adjustable zoom optic*
*(24°, 30°, 36°, 42° and 48° beam spreads. Not available for Warm Dim or Tunable White.)

ADJUSTMENT TOOL

One provided for every 10 adjustable fixtures.

- TOOL-HEX-050** Adjustment Tool

FURRING CHANNEL ACCESSORY KIT

Recommended for installations in furring channel.

- DHA-FC-KIT**

ATOMOS1 PINHOLE UNIVERSAL AND SLIM

STATIC WHITE PERFORMANCE - 3000K

UNIVERSAL HOUSING (AD, FD, WW)

LUMEN PACKAGE	WATTS	15° OPTIC SOFT FOCUS FILM		25° OPTIC SOFT FOCUS FILM		35° OPTIC SOFT FOCUS FILM		50° OPTIC SOFT FOCUS FILM	
		DLVD.	LPW	DLVD.	LPW	DLVD.	LPW	DLVD.	LPW
		8008D	6	276	46	274	46	243	46
8012D	12	473	39	469	39	415	35	440	37
9007D	6	234	39	232	39	206	34	218	36
9010D	12	400	33	397	33	352	29	373	31
9005D (27K-18K)	6	201	33	199	33	177	29	187	31
9009D (30K-18K)	12	343	29	341	28	302	25	320	27
9010DTR (40K-18K)	10	-	-	-	-	281	28	373	37
9010DTH (50K-27K)	10	-	-	-	-	248	25	328	33

LUMEN PACKAGE	WATTS	24° Zoom - Position 1 SOFT FOCUS FILM		30° Zoom - Position 2 SOFT FOCUS FILM		36° Zoom - Position 3 SOFT FOCUS FILM		42° Zoom - Position 4 SOFT FOCUS FILM		48° Zoom - Position 5 SOFT FOCUS FILM	
		DLVD.	LPW	DLVD.	LPW	DLVD.	LPW	DLVD.	LPW	DLVD.	LPW
		8008D	6	284	47	287	48	271	45	259	43
8012D	12	487	41	491	41	462	39	443	37	437	36
9007D	6	241	40	243	41	229	38	219	37	217	36
9010D	12	412	34	416	35	392	33	375	31	371	31

FINISH LIGHT LOSS FACTOR

BAFFLE FINISH	LLF
WHITE	1.00
CASHMERE GOLD	0.96
SATIN SILVER	0.95
BURNT BRONZE	0.93
BLACK	0.92

OUTPUT MULTIPLIER

CCT	CCT SCALE
2400K	0.76
2700K	0.95
3000K	1.00
3500K	1.05
4000K	1.06

LIGHT LOSS FACTOR

NO MEDIA	1.11
SOFT FOCUS	1
CLEAR	1
HONEYCOMB	0.77
HONEYCOMB W/ SOFT FOCUS	0.77
HONEYCOMB W/ CLEAR	0.76

TUNABLE WHITE MULTIPLIER

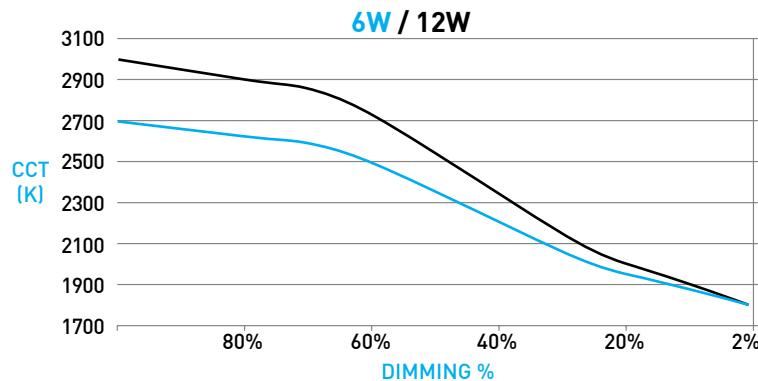
CCT	5000K-2700K	4000K-1800K
5000K	1.16	-
4000K	1.08	1.14
3500K	1.04	1.07
3000K	1.00	1.00
2700K	0.96	0.92
2400K	-	0.84
1800K	-	0.69

WARM DIM PERFORMANCE - SOFT FOCUS FILM - 15° OPTIC

UNIVERSAL ADJUSTABLE & FIXED

9009D 3000K - 1800K	Full on 100%	Dimmed to 80%	Dimmed to 70%	Dimmed to 50%	Dimmed to 20%	Dimmed to 10%	Dimmed to 2%
CCT (K)	3000	2950	2900	2800	2400	2000	1800
Light Output (Lm)	343	274	240	172	69	34	7
Power (W)	12	9.6	8.4	6	2.4	1.2	0.2
Efficacy (LPW)	28	28	28	28	28	28	28

9005D 2700K - 1800K	Full on 100%	Dimmed to 80%	Dimmed to 70%	Dimmed to 50%	Dimmed to 20%	Dimmed to 10%	Dimmed to 2%
CCT (K)	2700	2160	1890	1350	540	270	54
Light Output (Lm)	201	161	141	101	40	20	4
Power (W)	6	4.8	4.2	3	1.2	0.6	0.1
Efficacy (LPW)	33	33	33	33	33	33	33



ATOMOS1 PINHOLE UNIVERSAL AND SLIM

STATIC WHITE PERFORMANCE - 3000K

SLIM HIGH OUTPUT HOUSING (SF, SW ONLY)

LUMEN PACKAGE	WATTAGE	15° OPTIC SOFT FOCUS FILM		25° OPTIC SOFT FOCUS FILM		35° OPTIC SOFT FOCUS FILM		50° OPTIC SOFT FOCUS FILM	
		DLVD.	LPW	DLVD.	LPW	DLVD.	LPW	DLVD.	LPW
		8008D	6	369	62	338	56	291	48
8012D	12	632	53	578	48	497	41	641	53
8016D	15	764	51	699	47	601	40	775	52
9007D	6	313	52	287	48	246	41	317	53
9010D	12	535	45	490	41	421	35	543	45
9014D	15	649	43	594	40	511	34	659	44
9005D (27K-18K)	6	281	47	265	44	231	38	297	50
9009D (30K-18K)	12	480	40	454	38	395	33	508	42
9010DTR (40K-18K)	10	-	-	-	-	337	34	543	54
9010DTH (50K-27K)	10	-	-	-	-	297	30	478	48

FINISH LIGHT LOSS FACTOR

BAFFLE FINISH	LLF
WHITE	1.00
CASHMERE GOLD	0.96
SATIN SILVER	0.95
BURNT BRONZE	0.93
BLACK	0.92

OUTPUT MULTIPLIER

CCT	CCT SCALE
2400K	0.76
2700K	0.95
3000K	1.00
3500K	1.05
4000K	1.06

LIGHT LOSS FACTOR

NO MEDIA	1.11
SOFT FOCUS	1
CLEAR	1
HONEYCOMB	0.77
HONEYCOMB W/ SOFT FOCUS	0.77
HONEYCOMB W/ CLEAR	0.76

TUNABLE WHITE MULTIPLIER

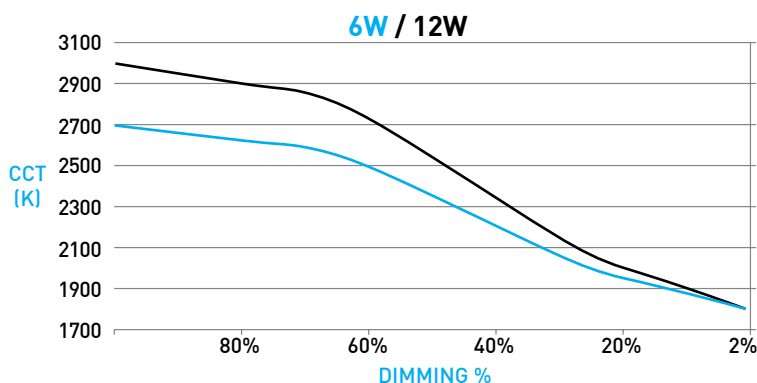
CCT	5000K-2700K	4000K-1800K
5000K	1.16	-
4000K	1.08	1.14
3500K	1.04	1.07
3000K	1.00	1.00
2700K	0.96	0.92
2400K	-	0.84
1800K	-	0.69

WARM DIM PERFORMANCE - SOFT FOCUS FILM - 50° OPTIC

SLIM FIXED

9009D 3000K - 1800K	Full on 100%	Dimmed to 80%	Dimmed to 70%	Dimmed to 50%	Dimmed to 20%	Dimmed to 10%	Dimmed to 2%
CCT (K)	3000	2900	2850	2550	2000	1900	1800
Light Output (Lm)	508	406	356	254	102	51	10
Power (W)	12	9.6	8.4	6	2.4	1.2	0.2
Efficacy (LPW)	42	42	42	42	42	42	42

9005D 2700K - 1800K	Full on 100%	Dimmed to 80%	Dimmed to 70%	Dimmed to 50%	Dimmed to 20%	Dimmed to 10%	Dimmed to 2%
CCT (K)	2700	2160	1890	1350	540	270	54
Light Output (Lm)	297	238	208	149	59	30	6
Power (W)	6	4.8	4.2	3	1.2	0.6	0.1
Efficacy (LPW)	73	73	73	73	73	73	73



ATOMOS1 PINHOLE UNIVERSAL AND SLIM

DOWNLIGHT

A1 UNIVERSAL TRIMS
Adjustable (AD) - Hot-aim tilt up to 30° and 362° rotation. Offset pivot point optimizes center beam. Max ceiling thickness for 30° tilt is 1-3/8".

Fixed (FD) - Trim based fixed downlight.

A2 UNIVERSAL HOUSING

- For IC or Non-IC ceilings.
- Chicago Plenum and Airtight listed.
- Requires 2-5/16" cutout for flange overlay and trimless drywall applications.
- Accommodates max 469 delivered lumens.
- No setback from polycell spray foam insulation having max R-Value of 60 on all sides and top.

B SLIM HIGH OUTPUT HOUSING
Integral LED module design enables field service / replacement through housing aperture.

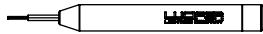
- For IC or Non-IC ceilings.
- Chicago Plenum and Airtight listed.
- Requires 2-5/16" cutout for flange overlay and trimless drywall applications.
- Accommodates max 632 delivered lumens.
- No setback from polycell spray foam insulation having max R-Value of 60 on all sides and top.

HOUSING NOTES

- Do not install in environments where ambient temperatures exceed 40°C (104°F).
- Power supply compartment and all splice connections may be serviced from room side.
- Consult factory for spacing requirements for any installations exceeding R-Value 60.
- Hanger bars can be fitted to long or short side of housing; extend from 14.0" to 24.0", but may be field cut to accommodate narrow stud spacing. Can be extended up to 46" maximum with FRX-HBE-46 kit.
- Hanger bars and brackets add 3.16" to the overall dimension but are exclusive of the setback requirements.
- Housings feature a round or square aperture accommodating ceiling thicknesses between 0.50" and 2.00".

ADJUSTMENT

- **ADJUSTMENT TOOL**
Minimum 1 provided for every 10 adjustable fixtures. Utilizes a 0.050" Allen key driver.

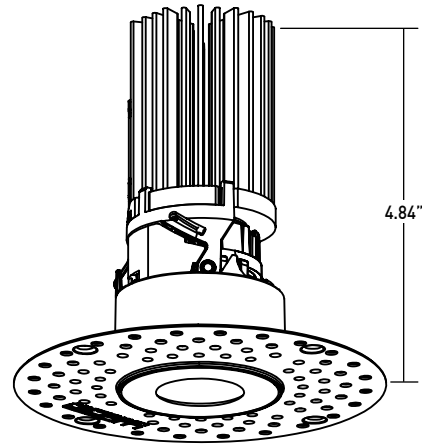


TILT CHART

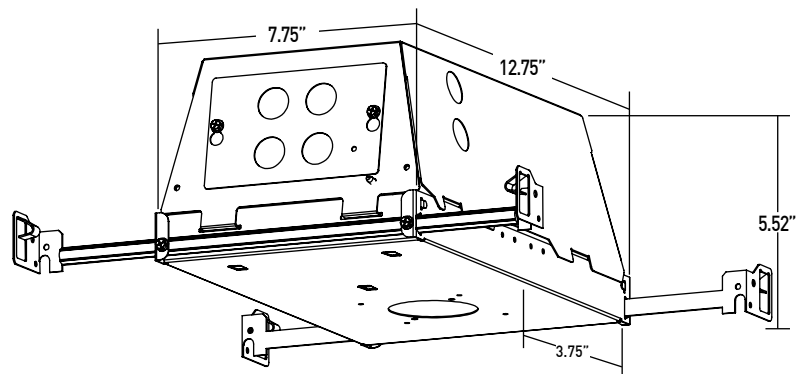
CEILING THICKNESS	≤1-1/2"	≤1-5/8"	≤1-3/4"	≤1-7/8"	≤2"
MAX TILT	30°	24°	18°	15°	13°

DIMENSIONS / DRAWINGS

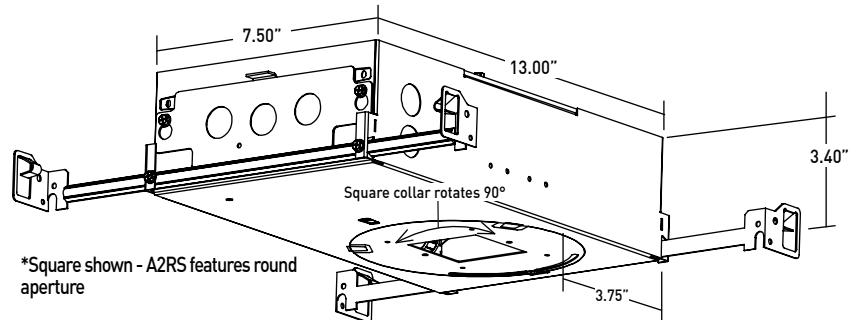
A1 UNIVERSAL ADJUSTABLE (AD) & FIXED (FD) TRIM



A2 UNIVERSAL ADJUSTABLE (AD) AND FIXED (FD) HOUSING



B SLIM FIXED (SF) FIXTURE

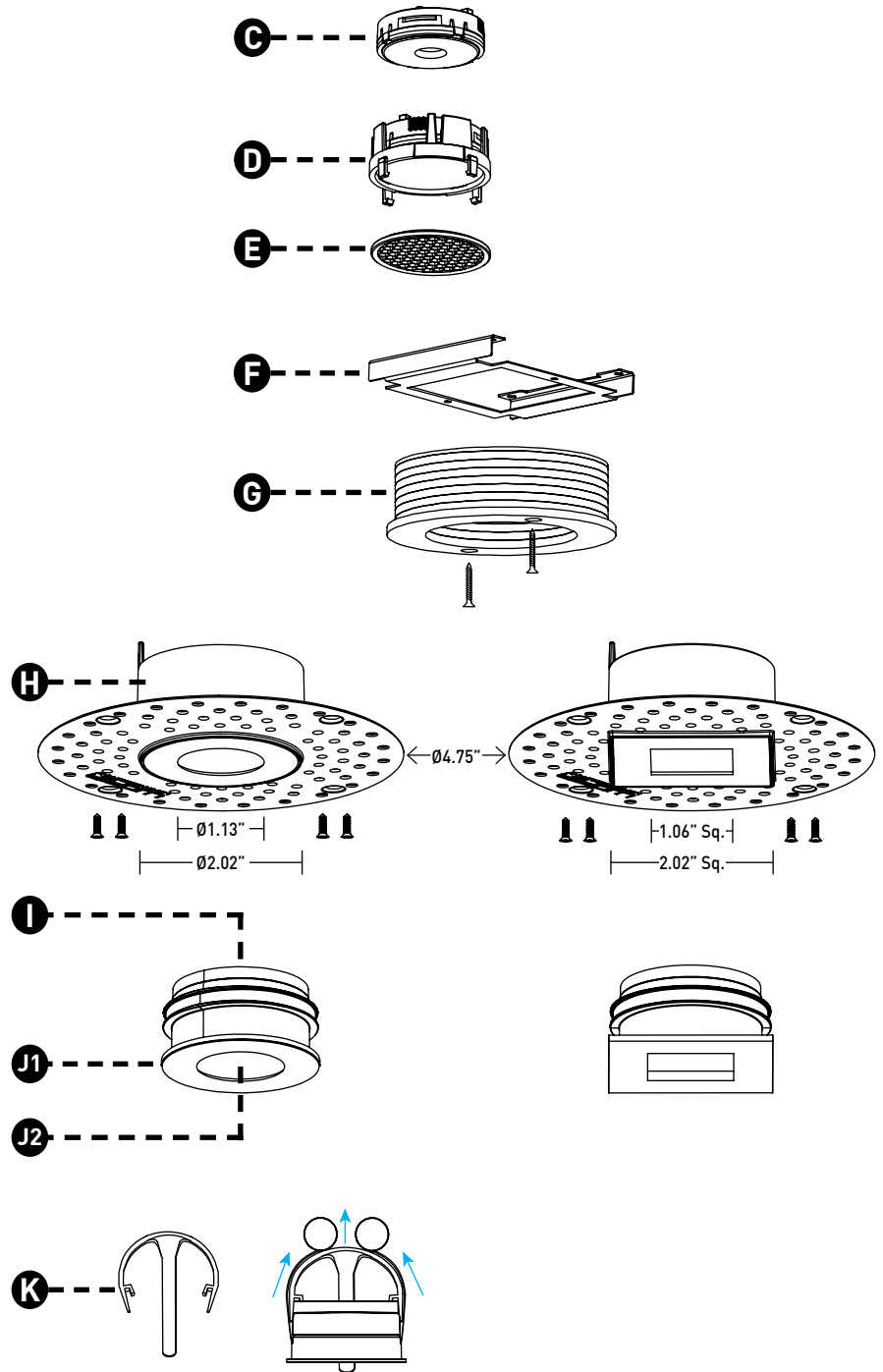


ATOMOS1 PINHOLE UNIVERSAL AND SLIM

HOUSING

- C STANDARD OPTICS**
Proprietary optic integrates Reflection, Refraction and TIR offering 15°, 25°, 35°, and 50° beams.
- D ADJUSTABLE ZOOM OPTIC**
Proprietary optic integrates Refraction and TIR. Allows precision tuning to beam spreads of 24°, 30°, 36°, 42°, and 48°. Not Available with Slim Fixed (SF)
- E HONEYCOMB LOUVER**
Clips onto optic.
- F ZERO-SIGHTLINE MILLWORK HOUSING ADAPTOR**
Ships with housing when trimless millwork is specified and provides attachment point for spacers. Requires 3.50" x 3.50" cutout.
- G ZERO-SIGHTLINE MILLWORK SPACERS**
Ship with housing when trimless millwork is specified; includes (1) 1/16" spacer and (8) 1/8" spacers.
- H ZERO-SIGHTLINE DRYWALL**
Installs totally flush with the ceiling with no visible trim. Appliqué includes screws for mounting and has 0.06" plaster stop. Not recommended for stucco applications.
- I MEDIA**
Soft focus film standard and sealed to baffle. Fixture is limited to 1 film and the honeycomb louver.
- J BAFFLE**
Die-cast removable baffle features 35° glare cutoff. Minimizes aperture glare and conceals view into housing or ceiling; includes silicone gasket.
Exterior finish **J1** is specified in "Trim Finish" section.
Interior finish **J2** is specified in "Baffle Finish" section and is only available in black.
- K INSTALLATION TOOL**
Minimum 1 provided for every 10 trimless millwork fixtures.

DIMENSIONS / DRAWINGS



ATOMOS1 PINHOLE UNIVERSAL AND SLIM

HOUSING

- L TRIMLESS MILLWORK**
Installs totally flush with the ceiling with no visible trim. Utilizes the A2RS or A2SS standard configuration installed behind the ceiling.
- M ADJUSTABLE HANGER BAR HEIGHT ACCESSORY**
Specified as DHA-TG-KIT and recommended for installations in T-Grid. Hanger bars are installed to adjustable bracket. Allows housing to be raised and lowered; ceiling thickness remains 0.50" to 1.00" (SLIM) or 2.00" (Universal) max.
- N REMOTE POWER SUPPLY**
Provided with install types "S", "T", "K", "V", "W", and "D". Remote power supply provides additional driver options. Consult page 9 for maximum allowable secondary run lengths between PSA2-RMT and fixture. Must be installed in an accessible location.
- O ATHENA / CASAMBI CONTROL**
Controls integrated into remote driver assembly. All equipment is serviceable.

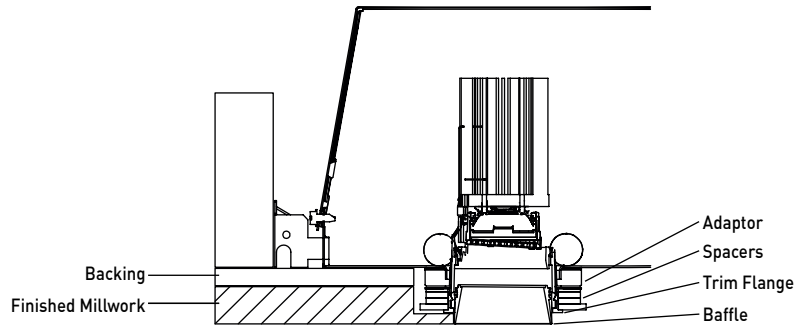
Athena Model Numbers: A-WN-D01-RF-BL & DFC-OEM-DBI

Casambi Model Number: BT-S1E1-5400
- P ATHENA / CASAMBI EM SHUNT**
Included with drivers specified as ASR, ADR, CSR, or CDR. One required for each wireless EM fixture, requires class 2 control wiring between fixture and shunt. Features integrated test switch.

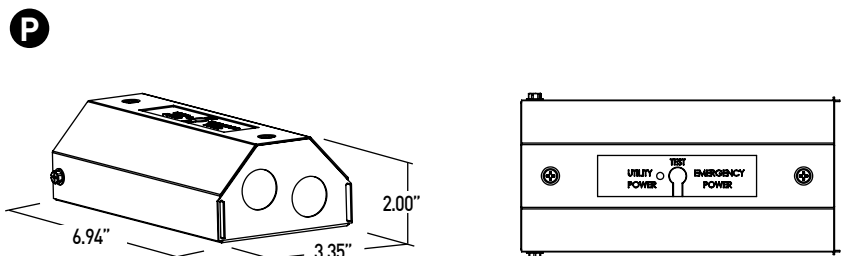
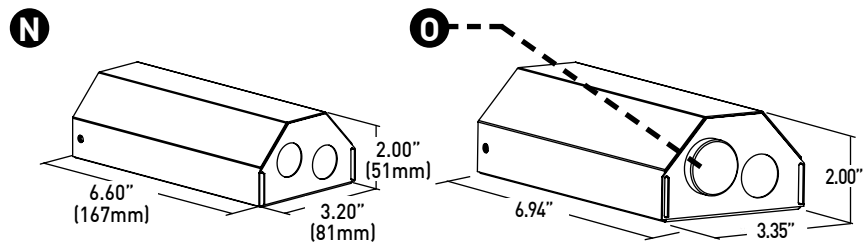
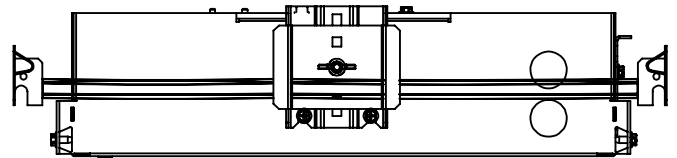
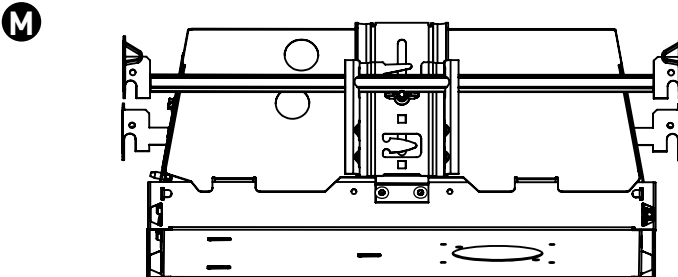
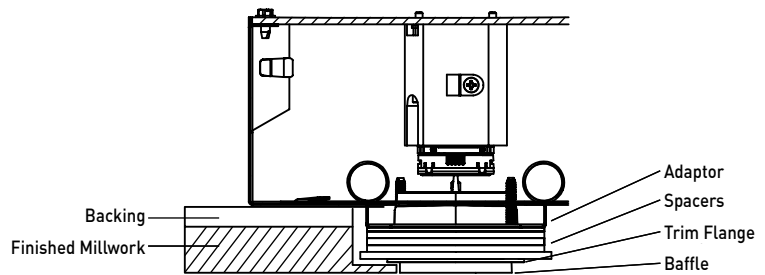
Model Number: PS-RMT-SHUNT

DIMENSIONS / DRAWINGS

L UNIVERSAL ZERO-SIGHTLINE MILLWORK DETAIL (EXAMPLE)



SLIM ZERO-SIGHTLINE MILLWORK DETAIL (EXAMPLE)

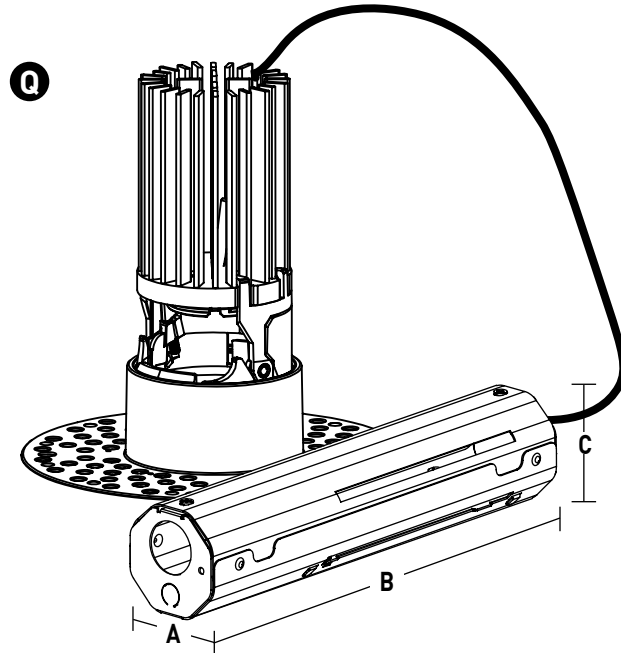


ATOMOS1 PINHOLE UNIVERSAL AND SLIM

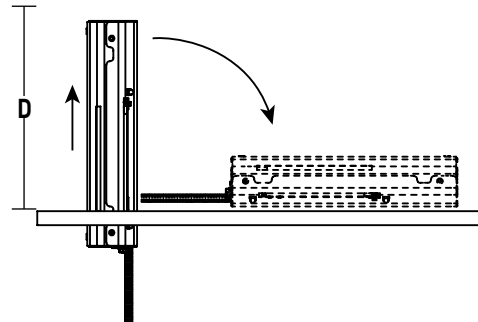
REMODEL POWER SUPPLY

DIMENSIONS / DRAWINGS

- Q REMODEL POWER SUPPLY**
- Included with "R" Install Type.
 - UL2043 listed for air-handling plenum.
 - Fixture mounts without conventional housing.
 - Minimum 6.75" (172mm) (PH Driver) or 9.25" (235mm) (All other drivers) clearance from top of the ceiling plane to allow for driver installation and servicing.
 - Minimum setback from combustible and non-combustible materials of 6.63" (168mm) radius from fixture centerline.
 - Minimum 3.00" (76mm) setback from surfaces of power supply / junction box.
 - Minimum additional 3.00" (76mm) setback from insulation material with max R-Value 30 from any surface of downlight fixture assembly.
 - Minimum additional 6.00" (152mm) setback from polycell spray foam insulation with max R-Value 60 from any surface of downlight fixture assembly.
- R REMOTE REMODEL APPLICATIONS**
- Remote power supply included with "M" Install Type.
 - Minimum 0.75" (19mm) clearance from top of the fixture.
 - Requires plenum rated Class 2 cable between fixture and remote driver. Cable supplied by others.
 - See page 9 for maximum allowable wiring distances.



*D - MINIMUM REQUIRED CLEARANCE ABOVE CEILING

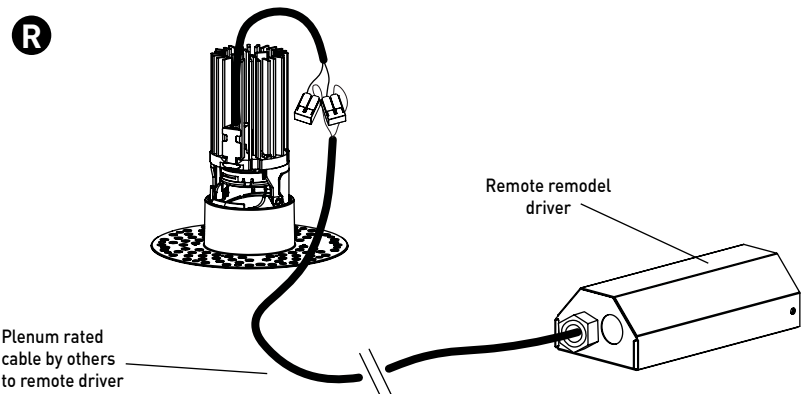


REMODEL NOTES

- Do not install in environments where ambient temperatures exceed 40°C (104°F).
- Power supply compartment and all splice connections may be serviced from room side.
- Consult factory for spacing requirements for any installations exceeding R-Value 60.

DIMENSIONS

DRIVER	A	B	C	D
PH	1.80"	5.55"	1.80"	6.75"
SG, SN, EG, EN, ED, LP, AS, CS	1.80"	8.07"	1.80"	9.25"



ATOMOS1 PINHOLE UNIVERSAL AND SLIM

TECHNICAL

CONSTRUCTION

Downlight: Painted finishes are granulated powder coat.

Housing: Aluminum and 22 Gauge galvanized steel.

Remote Power Supply: 22 Gauge galvanized steel.

Remodel Power Supply: 24 Gauge cold rolled steel.

Appliqué: High strength fiber reinforced polymer.

STATIC WHITE LED

2-step MacAdam ellipse LED module available in 80+ and 90+ CRI configurations in color temperatures of 2700K, 3000K, 3500K and 4000K.

3-step MacAdam ellipse LED module available in 80+ and 90+ CRI configuration in color temperature of 2400K. Average rated lamp life: 50,000 hours. LED and driver assemblies are field-replaceable.

WARM DIM LED

3-step MacAdam ellipse warm dim LED module available in 90+ CRI configuration. 3000K or 2700K at full brightness, warming to 1800K at full dim. Average rated lamp life of 50,000 hours. LED and driver assemblies are field-replaceable.

TUNABLE WHITE LED

3-step MacAdam ellipse tunable white LED module available in 90+ CRI configuration. Features tuning range of 2700K to 5000K and 1800K to 4000K. Average rated lamp life of 50,000 hours. Driver assemblies are field-replaceable.

POWER SUPPLY PERFORMANCE AND DIMMING INFORMATION

Power Supply	ELV		ECO		0-10V					DALI			ATHENA		CASAMBI	
	PH	L2	LP	LH	SG	SN	EG	EN	DN	ED	DD	DG	AS	AD	CS	CD
Minimum °C	-10 °C	0 °C	0 °C	0 °C	-20 °C	-20 °C	-20 °C	-20 °C	-20 °C	-20 °C	-20 °C	-20 °C	0 °C	0 °C	-20 °C	-20 °C
Maximum °C	40 °C	40 °C	40 °C	40 °C	40 °C	40 °C	40 °C	40 °C	40 °C	40 °C	40 °C	40 °C	40 °C	40 °C	40 °C	40 °C
Dimming %	1.0%	1.0%	0.1%	1.0%	1.0%	1.0%	0.1%	0.1%	0.1%	0.1%	0.1%	0.1%	0.1%	0.1%	0.1%	0.1%

Note: For L2, LH, LP, EG, EN, SG, and SN drivers consult chart on page 10 to confirm appropriate dimming curve for compatibility with selected control.

MAXIMUM ALLOWABLE REMOTE DRIVER WIRING DISTANCES

DRIVER	WIRE AWG				
	12	14	16	18	20
PH	285'	180'	113'	71'	45'
LP, L2, LH	60'	40'	25'	15'	-
EG, EN, SG, SN, ED, AS, CS, AD, CD, DN, DD, DG	-	-	118'	72'	46'

LISTING

UL listed to UL1598 standard for Dry / Damp and Wet locations. Chicago Plenum and Airtight listed.

BUY AMERICAN ACT

All IC and Non-IC Atomos configurations are Buy American Act compliant.

DECLARE

LBC Red List Approved.

WARRANTY

Manufacturer's 1-year warranty guarantees product(s) listed to be free from defects in material and workmanship under normal use and service. 5-year warranty on LED and power supply to operate with 70% of the original flux and remain within a range of 3 duv. 10-year Lutron Advantage limited warranty available on Lutron equipped systems.

CHANGE LOG

- 06/09/2023: UPDATED SG AND SN DRIVERS TO ELDOLED ECODRIVE
- 2/07/2024: ADDED ATHENA AND CASAMBI CONTROL OFFERINGS. ADDED 2400K, TUNABLE WHITE, AND LOW WATTAGE OFFERINGS



ATOMOS1 PINHOLE UNIVERSAL AND SLIM

DIMMING COMPATIBILITY

LUTRON DRIVER COMPATIBILITY

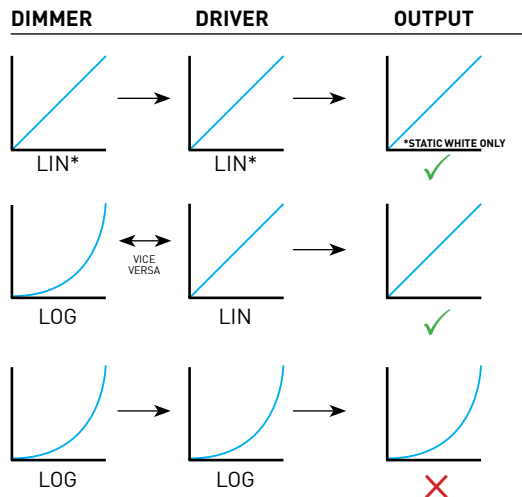
Power supply L2 Lutron Product Family	Part No.
Maestro WirelessR 600 W dimmer	MRF2-6ND-120-
Maestro WirelessR 1000 W dimmer	MRF2-10ND-120-
Caséta® Wireless Pro 1000 W dimmer	PD-10NXD-
GRAFIK T™ CL® dimmer	GT-250M- GTJ-250M-
HomeWorks® QS adaptive dimmer	HQRD-6NA-
HomeWorks® QS 600 W dimmer	HQRD-6ND-
HomeWorks® QS 1000 W dimmer	HQRD-10ND-
RadioRA® 2 adaptive dimmer	RRD-6NA-
RadioRA® 2 1000 W dimmer	RRD-10ND
myRoom™ DIN power module	MQSE-4A1-D
HomeWorks® QS DIN power module	LQSE-4A1-D
HomeWorks® QS wallbox power module	HQRJ-WPM-6D-120
HomeWorks® wallbox power module	HWI-WPM-6D-120
GRAFIK Eye® QS control unit	QSGR-, QSGRJ-
GRAFIK Eye® 3000 control unit	GRX-3100- GRX-3500-
RPM-4U module (LCP, HomeWorks® QS, GRAFIK Systems™, Quantum®)	HW-RPM-4U-120 LP-RPM-4U-120
RPM-4A module (LCP, HomeWorks® QS, GRAFIK Systems™, Quantum®)	HW-RPM-4A-120, LP-RPM-4A-120
GP dimming panels	Various
Ariadni CL 250W dimmer	AYCL-253P-
Diva CL 250W dimmer	DVCL-253P- DCSCCL-253P-
Nova T CL 250W dimmer	NTCL-250-
Power supply LH Lutron Product Family	Part No.
PowPak Dimming Modules	RMJ-EC032-DV-B
PowPak Dimming Modules	FCJ/FCJS-ECO
Energi Savr Nodes	QSN-1ECO-S
GRAFIK Eye QS control unit	QSN-2ECO-S
Homeworks QS control unit	QSGRJ- E (wireless) QSGR- E
Quantum Hub	QP2-__ 2C
Quantum Hub	QP2-__ 4C
Quantum Hub	QP2-__ 6C
Quantum Hub	QP2-__ 8C
Homeworks QS power module	LQSE-2ECO-D
myRoom Plus power module	



eldoLED DRIVER COMPATIBILITY

Power supply EG, SG Manufacturer	Family/Model #
Busch-Jaeger	2112U-101
Jung	240-10
Leviton Lighting Controls	IP710-DLX
Lightolier Controls	ZP600FAM120
Merten	5729
Pass & Seymour	CD4FB-W
The Watt Stopper	DCLV1
Synergy	ISD BC
Crestron®	GLX-DIMFLV8
Crestron®	GLXP-DIMFLV8
Crestron®	GLPAC-DIMFLV4-*
Crestron®	GLPAC-DIMFLV8-*
Crestron®	GLPP-DIMFLVEX-PM
Crestron®	GLPP-1DIMFLV2EX-PM
Crestron®	GLPP-1DIMFLV3EX-PM
Crestron®	DIN-A08
Crestron®	DIN-4DIMFLV4
Crestron®	CLS-EXP-DIMFLV
Crestron®	CLCI-1DIMFLV2EX
Power supply EN, SN Manufacturer	Family/Model #
Lutron Electronics	Nova T® - NTFTV
Lutron Electronics	Diva® - DVTV
Lutron Electronics	Nova® - NFTV
Lutron Electronics	GrafixEye® GRX-TVI w GRX3503
Lutron Electronics	Energy Savr Node™ - QSN-4T16-S
Lutron Electronics	TVM2 Module
Sensor Switch	nI0 EZ
ABB	SD/S 2.16.1

ANALOG DRIVERS AND DIMMERS



LIN = LINEAR
LOG = LOGARITHMIC
*LIN-TO-LIN NOT COMPATIBLE FOR WARM-DIM