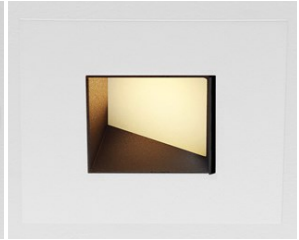
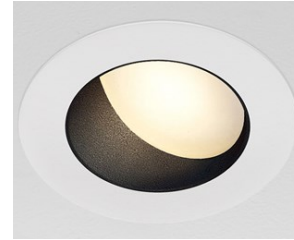


# 2 SERIES LED WALLWASH

|               |       |
|---------------|-------|
| PROJECT NAME: | TYPE: |
|---------------|-------|



High-output, low profile, and infinite adjustment -- these small aperture downlights make elegant design statements in discerning residential, retail, and hospitality environments.

## ORDERING INFORMATION



Quick Ship Product. All rough in components ship within 10 days up to quantities of 100.



JA8-2022 INDICATED BY SHADING

| TRIM  | RATING  | FLANGE FINISH   | CRI / WATTAGE PACKAGE   | CCT  | OPTIC             | INSTALL TYPE   | CEILING THICKNESS   | POWER SUPPLY     | MEDIA  | FLANGE CONFIGURATION |
|---|---|---|---|--|-------------------|--|---|------------------|--|----------------------|
|   |   |   |   |  | <b>WW</b>         |  |   |                  | <b>WL</b>  |                      |
| 2RW Round Expanded Wallwash<br>2 Wet*<br>2SW Square Expanded Wallwash | 1 Dry/Damp<br>2 Wet*<br>*(Lens sealed in place) | WH White<br>AG Satin Silver<br>IG Industrial Gray<br>AU Cashmere Gold<br>AB Arch Bronze<br>BB Burnt Bronze<br>BK Black<br>SS Stainless Steel*<br>CH Chrome*<br>MB Matte Bronze*<br>PB Polished Bronze*<br>PR Primer<br>CF Custom*<br>*(Consult Factory) | <p><b>LOW FLUX STATIC WHITE 3.73" TALL HOUSING</b></p> <p>80S06A 80+ CRI, 6 Watts (Delivered - 2RW 415, 2SW 351)<br/>80S11A 80+ CRI, 11 Watts (Delivered - 2RW 680, 2SW 554)<br/>80S15A 80+ CRI, 15 Watts (Delivered - 2RW 926, 2SW 770)<br/>90S06A 90+ CRI, 6 Watts (Delivered - 2RW 358, 2SW 303)<br/>90S11A 90+ CRI, 11 Watts (Delivered - 2RW 586, 2SW 478)<br/>90S15A 90+ CRI, 15 Watts (Delivered - 2RW 798, 2SW 664)<br/>97S06A 97+ CRI, 6 Watts (Delivered - 2RW 315, 2SW 267)<br/>97S11A 97+ CRI, 11 Watts (Delivered - 2RW 516, 2SW 421)<br/>97S15A 97+ CRI, 15 Watts (Delivered - 2RW 702, 2SW 584)</p> <p><b>HIGH FLUX STATIC WHITE 6.5" TALL HOUSING</b></p> <p>80S21A 80+ CRI, 21 Watts (Delivered - 2RW 1245, 2SW 1029)<br/>90S21A 90+ CRI, 21 Watts (Delivered - 2RW 1073, 2SW 887)<br/>97S21A 97+ CRI, 21 Watts (Delivered - 2RW 944, 2SW 781)</p> <p><b>WARM DIM 6.5" TALL HOUSING</b></p> <p>90W11A 90+ CRI, 11 Watts<br/>Incandescent Profile: 2700K - 1800K (Delivered - 2RW 408, 2SW 355)<br/>Halogen Profile: 3000K - 1800K (Delivered - 2RW 412, 2SW 354)<br/>90W15A 90+ CRI, 15 Watts<br/>Incandescent Profile: 2700K - 1800K (Delivered - 2RW 571, 2SW 496)<br/>Halogen Profile: 3000K - 1800K (Delivered - 2RW 578, 2SW 497)<br/>*SEE PAGE 4 FOR DETAILED WARM DIM PROFILE COMPARISON.</p> <p><b>TUNABLE WHITE 6.5" TALL HOUSING</b></p> <p>90T17A 90+ CRI, 17 Watts<br/>Warm Profile (Delivered - 2RW 700, 2SW 610)<br/>Cool Profile (Delivered - 2RW 694, 2SW 605)<br/>*ALL DELIVERED LUMEN OUTPUTS REFLECT 3000K.</p> | 24 2400K*<br>*(90+ CRI only)<br>27 2700K<br>30 3000K<br>35 3500K<br>40 4000K | WW Wallwash Optic | <p>0 0.125" - 0.49" *<br/>*(RM, RR Install Types only)</p> <p>1 0.50" - 0.75"</p> <p>2 0.76" - 1.25"</p> | (120V)<br>TR2 Philips, 2% Forward/Reverse<br>L23 Lutron, Hi-Lume 1% 2-Wire<br>(120-277V)<br>LH1 Lutron, Hi-Lume 1% Ecosystem<br>LP1 Lutron, Premier 0.1% Ecosystem<br>AN4 Philips Xitanium 1% 0-10V, LOG<br>LN2 Philips Xitanium 1% 0-10V, LIN<br>EA2 eldoLED, SOL0drive 0.1% 0-10V, LOG<br>LA2 eldoLED, SOL0drive 0.1% 0-10V, LIN<br>ED1 eldoLED, SOL0drive 0.1% DALI-2, LOG<br>LD1 eldoLED, SOL0drive 0.1% DALI-2, LIN<br>AS1/ Athena Control eldoLED, SOL0drive 0.1% 120-277V*<br>ASR/ Casambi Control eldoLED, SOL0drive 0.1% 120-277V*<br>CS1/ Casambi Control eldoLED, SOL0drive 0.1% 120-277V*<br>CSR eldoLED, SOL0drive 0.1% 120-277V*<br>*Includes Node. Extended lead time, consult factory. ASR/CSR includes shunt | WL Wallwash Lens | F Flange Overlay (No Applique)<br>G Zero Sightline Gypsum (1/16" Applique)*<br>*(Not available for wet location)<br>P Zero Sightline Plaster (1/8" Applique)*<br>*(Not available for wet location) |                      |

## PART NUMBER NOTES

- Trims ships as e.g. 2RW1-WH-80S15A2-WHB1-L23WL
- Housing ships as e.g. NCL-2RF-1-LED-01
- Drivers ship with trim
- Applique ships with housing



**Declare.**

**LUCIFER**<sup>®</sup>  
LIGHTING COMPANY

luciferlighting.com

©2024 Lucifer<sup>®</sup> Lighting Company

As part of its policy of continuous research and product development, the company reserves the right to change or withdraw specifications without prior notice.

[PH] +1-210-227-7329 pg. 1  
[FAX] +1-210-227-4967

[DATE OF REV: 02072024]

# 2 SERIES LED WALLWASH

## ACCESSORIES

- ROUTER TOOL GUIDE** (Dry / Damp locations only)  
Recommended for Zero-Sightline installations in wood ceilings.
- DLA-RTG-2S-RD** Tool, router guide, round; reusable
  - DLA-RTG-2S-SQ** Tool, router guide, square; reusable

## REPLACEMENT OPTIC

- Interchangeable optics accessible through fixture aperture.
- RO-50-WW-S** Wall Grazer Optic, Static White
  - RO-50-WW-W** Wall Grazer Optic, Warm Dim

## HANGER BAR EXTENDER KIT

- Extends hanger bars from 24.0" to 46.0" maximum.
- 2S-HBE-46** Extender, Hanger Bar

## FURRING CHANNEL ACCESSORY KIT

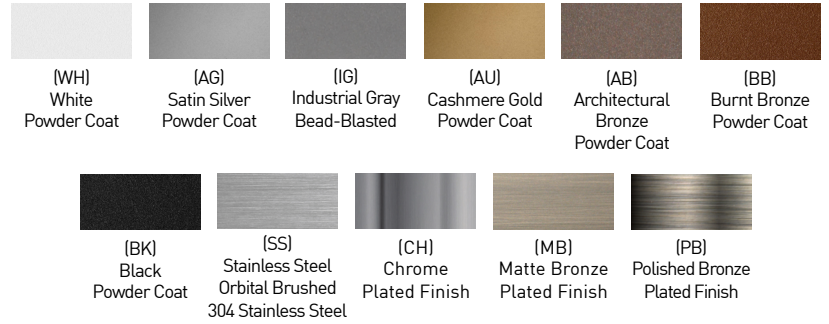
- Recommended for installations in furring channel. Available for ceiling thicknesses from 0.125" - 1.25".
- DHA-FC-KIT**

## EMERGENCY LIGHTING - REMOTE MOUNT ONLY

During disruption of main power, emergency battery inverter provides temporary 120V or 277V to fixture.

- EMB-S-25-120/277-LEDX** 25 watt max capacity, 120 or 277 VAC 60Hz, Non-Dimmable
- EMB-S-100-120-LEDX** 100 watt max capacity, 120 VAC 60Hz, 0-10V Dimmable
- EMB-S-100-277-LEDX** 100 watt max capacity, 277 VAC 60Hz, 0-10V Dimmable
- EMB-S-250-120/277-LEDX** 250 watt max capacity, 120 or 277 VAC 60Hz, 0-10V Dimmable

## FINISHES BY LUCIFER LIGHTING™



# 2 SERIES LED WALLWASH

## WALLWASH DESIGN GUIDE

### ROUND



#### RECOMMENDED

#### 30" SETBACK / 30" ON CENTER SPACING

- AVERAGE FC: 15.46
- MIN / MAX: 2.94
- 10FT CEILING SHOWN / 8-12FT IDEAL
- 10 FIXTURES / 25FT WALL SHOWN

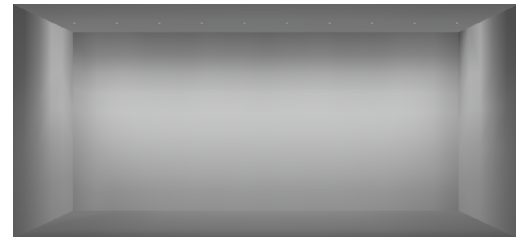
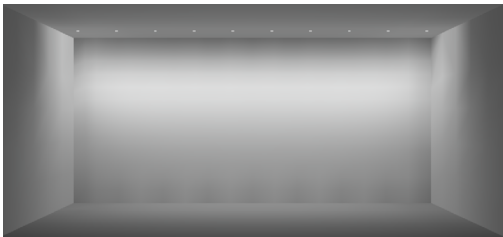
#### 36" SETBACK / 36" ON CENTER SPACING

- AVERAGE FC: 11.73
- MIN / MAX: 3.11
- 10FT CEILING SHOWN / 8-12FT IDEAL
- 10 FIXTURES / 30FT WALL SHOWN

#### 42" SETBACK / 42" SPACING ON CENTER

- AVERAGE FC: 9.22
- MIN / MAX: 3.77
- 10FT CEILING SHOWN / 8-12FT IDEAL
- 10 FIXTURES / 35FT WALL SHOWN

### SQUARE



#### RECOMMENDED

#### 30" SETBACK / 30" ON CENTER SPACING

- AVERAGE FC: 16.00
- MIN / MAX: 4.62
- 10FT CEILING SHOWN / 8-12FT IDEAL
- 10 FIXTURES / 25FT WALL SHOWN

#### 36" SETBACK / 36" ON CENTER SPACING

- AVERAGE FC: 12.47
- MIN / MAX: 2.98
- 10FT CEILING SHOWN / 8-12FT IDEAL
- 10 FIXTURES / 30FT WALL SHOWN

#### 42" SETBACK / 42" SPACING ON CENTER

- AVERAGE FC: 9.99
- MIN / MAX: 2.96
- 10FT CEILING SHOWN / 8-12FT IDEAL
- 10 FIXTURES / 35FT WALL SHOWN

### ADDITIONAL SPACINGS AND SETBACKS

| ROUND             |                                      |                                      |                                      |
|-------------------|--------------------------------------|--------------------------------------|--------------------------------------|
| ON CENTER SPACING | SETBACK                              |                                      |                                      |
|                   | 30"                                  | 36"                                  | 42"                                  |
| 30"               | SHOWN ABOVE                          | AVERAGE FC: 14.02<br>MIN / MAX: 3.34 | AVERAGE FC: 12.56<br>MIN / MAX: 3.85 |
| 36"               | AVERAGE FC: 12.90<br>MIN / MAX: 2.63 | SHOWN ABOVE                          | AVERAGE FC: 10.58<br>MIN / MAX: 3.47 |
| 42"               | AVERAGE FC: 11.16<br>MIN / MAX: 2.88 | AVERAGE FC: 10.18<br>MIN / MAX: 3.27 | SHOWN ABOVE                          |

| SQUARE            |                                      |                                      |                                      |
|-------------------|--------------------------------------|--------------------------------------|--------------------------------------|
| ON CENTER SPACING | SETBACK                              |                                      |                                      |
|                   | 30"                                  | 36"                                  | 42"                                  |
| 30"               | SHOWN ABOVE                          | AVERAGE FC: 14.82<br>MIN / MAX: 3.38 | AVERAGE FC: 16.38<br>MIN / MAX: 3.14 |
| 36"               | AVERAGE FC: 13.40<br>MIN / MAX: 4.09 | SHOWN ABOVE                          | AVERAGE FC: 11.52<br>MIN / MAX: 2.86 |
| 42"               | AVERAGE FC: 11.51<br>MIN / MAX: 4.36 | AVERAGE FC: 10.73<br>MIN / MAX: 3.16 | SHOWN ABOVE                          |

**\*ALL DATA REFLECTS 90S15A WATTAGE PACKAGE**

# 2 SERIES LED WALLWASH

## STATIC WHITE PERFORMANCE - 3000K

| CRI / WATTAGE PACKAGE | WATTAGE | WALLWASH  |     |           |     |
|-----------------------|---------|-----------|-----|-----------|-----|
|                       |         | 2RW       |     | 2SW       |     |
|                       |         | DELIVERED | LPW | DELIVERED | LPW |
| 80S06A                | 6       | 415       | 69  | 351       | 59  |
| 80S11A                | 11      | 680       | 56  | 554       | 49  |
| 80S15A                | 15      | 926       | 62  | 770       | 51  |
| 80S21A                | 21      | 1245      | 59  | 1029      | 49  |
| 90S06A                | 6       | 358       | 62  | 303       | 53  |
| 90S11A                | 11      | 586       | 53  | 478       | 43  |
| 90S15A                | 15      | 798       | 53  | 664       | 44  |
| 90S21A                | 21      | 1073      | 51  | 887       | 42  |
| 97S06A                | 6       | 315       | 53  | 267       | 44  |
| 97S11A                | 11      | 516       | 47  | 421       | 38  |
| 97S15A                | 15      | 702       | 47  | 584       | 39  |
| 97S21A                | 21      | 944       | 45  | 781       | 37  |
| 90W11A (WL 27K-18K)   | 11      | 408       | 42  | 355       | 37  |
| 90W11A (WD 30K-18K)   | 11      | 412       | 43  | 354       | 37  |
| 90W15A (WL 27K-18K)   | 15      | 571       | 38  | 496       | 33  |
| 90W15A (WD 30K-18K)   | 15      | 578       | 38  | 497       | 33  |
| 90W17A (TR 40K-18K)   | 17      | 700       | 42  | 610       | 36  |
| 90W17A (TH 50K-27K)   | 17      | 694       | 41  | 605       | 36  |



JA8-2022 INDICATED BY SHADING

## JA8-2022 TITLE 24 COMPLIANT CONFIGURATIONS

|     | WW Optic |     |     |     |     |     |      |      |      |      |      |      |
|-----|----------|-----|-----|-----|-----|-----|------|------|------|------|------|------|
|     | 90S      |     |     | 97S |     |     | 90W  |      |      |      | 90T  |      |
|     | 11A      | 15A | 21A | 11A | 15A | 21A | 11AL | 11AD | 15AL | 15AD | 17AR | 17AH |
| 2RW | ✓        | ✓   | ✓   | ✓   | ✓   | ✓   |      |      |      |      |      |      |
| 2SW |          |     |     |     |     |     |      |      |      |      |      |      |

### OUTPUT MULTIPLIER

| CCT   | CCT SCALE |
|-------|-----------|
| 2400K | 0.76      |
| 2700K | 0.97      |
| 3000K | 1.000     |
| 3500K | 1.03      |
| 4000K | 1.08      |

### TUNABLE WHITE MULTIPLIER

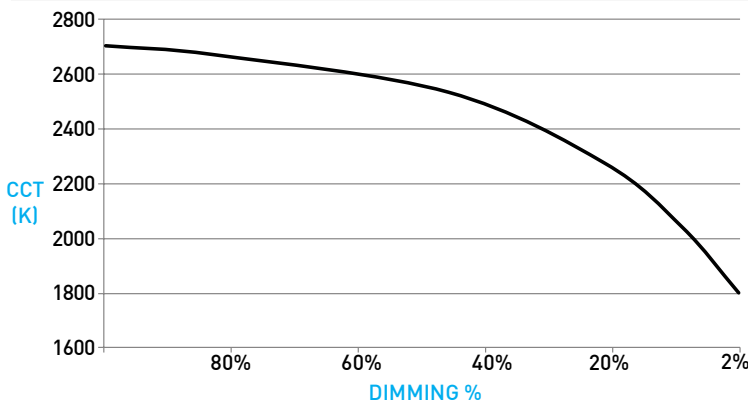
| CCT   | 5000K-2700K | 4000K-1800K |
|-------|-------------|-------------|
| 5000K | 1.16        | -           |
| 4000K | 1.08        | 1.14        |
| 3500K | 1.04        | 1.07        |
| 3000K | 1.00        | 1.00        |
| 2700K | 0.96        | 0.92        |
| 2400K | -           | 0.84        |
| 1800K | -           | 0.69        |

## WARM DIM PERFORMANCE

### INCANDESCENT PROFILE

| 90W11AL 2700K - 1800K | Full on 100% | Dimmed to 80% | Dimmed to 70% | Dimmed to 50% | Dimmed to 20% | Dimmed to 10% | Dimmed to 2% |
|-----------------------|--------------|---------------|---------------|---------------|---------------|---------------|--------------|
| CCT (K)               | 2700         | 2650          | 2625          | 2550          | 2200          | 1900          | 1800         |
| Light Output (Lm)     | 408          | 326           | 286           | 204           | 82            | 41            | 8            |
| Power (W)             | 11           | 9             | 8             | 6             | 2.2           | 1.1           | .2           |
| Efficacy (LPW)        | 37           | 37            | 37            | 37            | 37            | 37            | 37           |

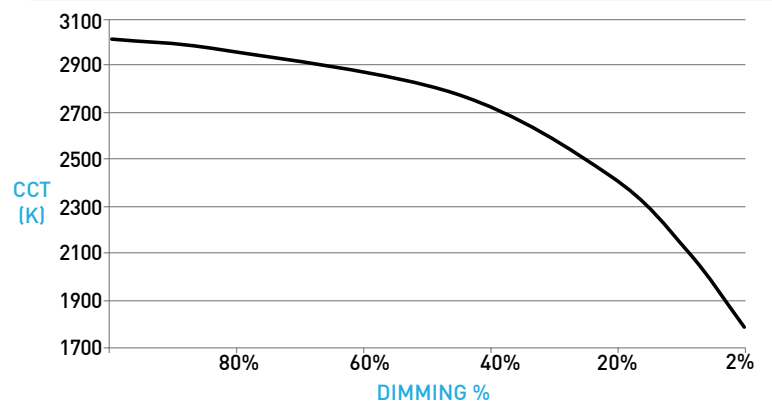
| 90W15AL 2700K - 1800K | Full on 100% | Dimmed to 80% | Dimmed to 70% | Dimmed to 50% | Dimmed to 20% | Dimmed to 10% | Dimmed to 2% |
|-----------------------|--------------|---------------|---------------|---------------|---------------|---------------|--------------|
| CCT (K)               | 2700         | 2650          | 2625          | 2550          | 2200          | 1900          | 1800         |
| Light Output (Lm)     | 571          | 457           | 400           | 286           | 114           | 57            | 11.4         |
| Power (W)             | 14           | 11            | 10            | 7             | 3             | 1.5           | 0.3          |
| Efficacy (LPW)        | 38           | 38            | 38            | 38            | 38            | 38            | 38           |



### HALOGEN PROFILE

| 90W11AD 3000K - 1800K | Full on 100% | Dimmed to 80% | Dimmed to 70% | Dimmed to 50% | Dimmed to 20% | Dimmed to 10% | Dimmed to 2% |
|-----------------------|--------------|---------------|---------------|---------------|---------------|---------------|--------------|
| CCT (K)               | 3000         | 2950          | 2920          | 2775          | 2375          | 2000          | 1800         |
| Light Output (Lm)     | 412          | 330           | 288           | 206           | 82            | 41            | 8            |
| Power (W)             | 11           | 9             | 8             | 6             | 2.2           | 1.1           | .2           |
| Efficacy (LPW)        | 37           | 37            | 37            | 37            | 37            | 37            | 37           |

| 90W15AD 3000K - 1800K | Full on 100% | Dimmed to 80% | Dimmed to 70% | Dimmed to 50% | Dimmed to 20% | Dimmed to 10% | Dimmed to 2% |
|-----------------------|--------------|---------------|---------------|---------------|---------------|---------------|--------------|
| CCT (K)               | 3000         | 2950          | 2920          | 2775          | 2375          | 2000          | 1800         |
| Light Output (Lm)     | 578          | 462           | 405           | 289           | 116           | 58            | 12           |
| Power (W)             | 14           | 11            | 10            | 7             | 3             | 1.5           | 0.3          |
| Efficacy (LPW)        | 38           | 38            | 38            | 38            | 38            | 38            | 38           |



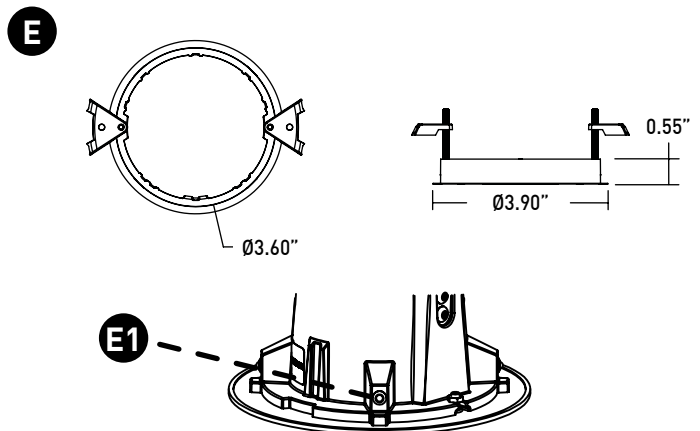
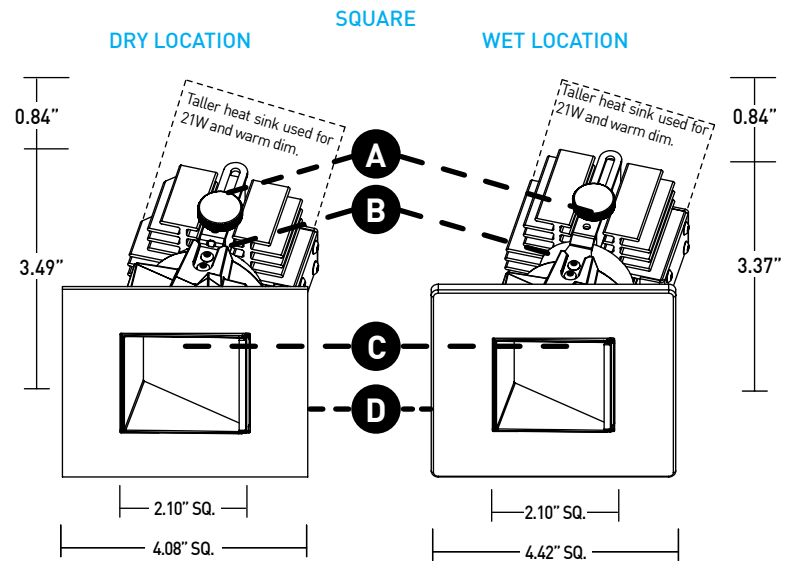
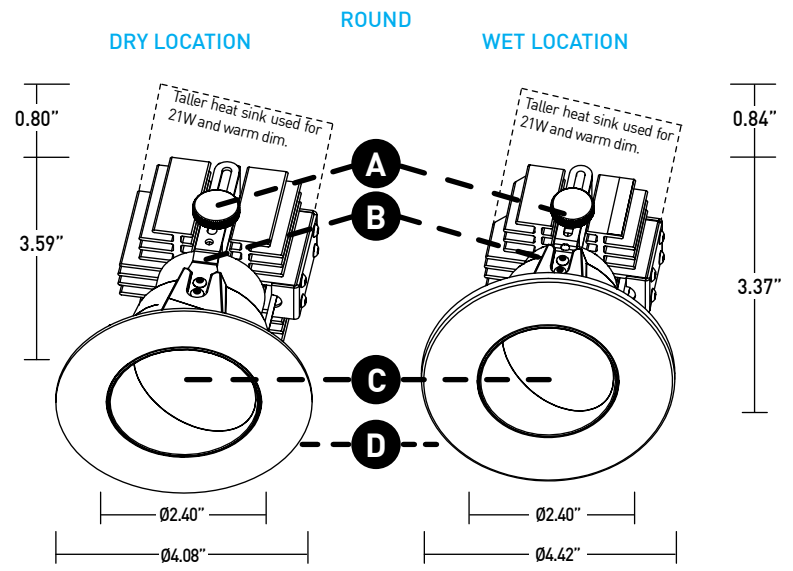
# 2 SERIES LED WALLWASH

## DOWNLIGHT

Die-cast baffle and precision kick reflector provide dynamic wallwashing and minimal aperture glare.

- A** **ADJUSTABLE YOKE**  
Adjustable yoke allows for quick access to optic and media.
- B** **OPTICS**  
Robust light engine with optimized optic pairing integrates Reflection, Refraction, and TIR offering a 40° wallwashing beam.
- C** **MEDIA**  
Wallwash lens included and sealed in place on wet location fixtures
- D** **TRIM PLATE**
  - Dry / Damp Location: Thickness measures 0.065" (1.7mm)
  - Wet Location: Sealed aperture and integral silicone gasket. 0.17" (4.3mm) return, installed as flange overlay only.
- E** **DOWNLIGHT TRIM ADAPTER**  
Included with fixture and required for installation. Provides required alignment with trim, ensuring fixture aim integrity is maintained Uses (2) #6-32 flat-head screws with varying lengths to accommodate ceiling depth. Installed after ceiling is complete.
- E1** **RETENTION**  
Engineered integral ball plungers correspond to trim adapter ensuring snug fit against finished ceiling.

## DIMENSIONS / DRAWINGS



# 2 SERIES LED WALLWASH

## HOUSING

- F LOW FLUX NO INSULATION CONTACT (NON-IC) HOUSING**
- Included with NC and NR Low Flux wattage packages.
  - Minimum 0.50" (13mm) setback from combustible and non-combustible materials on all sides and top of housing.
  - Minimum 3.00" (76mm) setback from insulation material having max R-Value 30 on all sides and top of housing.
  - Minimum 6.00" (152mm) setback from polycell spray foam insulation having max R-Value 60.
- LOW FLUX INSULATION CONTACT (IC) HOUSING**
- Included with IC, IR, AT, and AR LOW Flux wattage packages.
  - No setback from polycell spray foam insulation having max R-Value of 60 on all sides and top of housing.
- G HIGH FLUX / WARM DIM HOUSING**
- Satisfies IC, Airtight and NON-IC configurations.
  - Included with all HIGH Flux and Warm Dim wattage packages.
  - No setback from polycell spray foam insulation having max R-Value of 60 on all sides and top of housing.

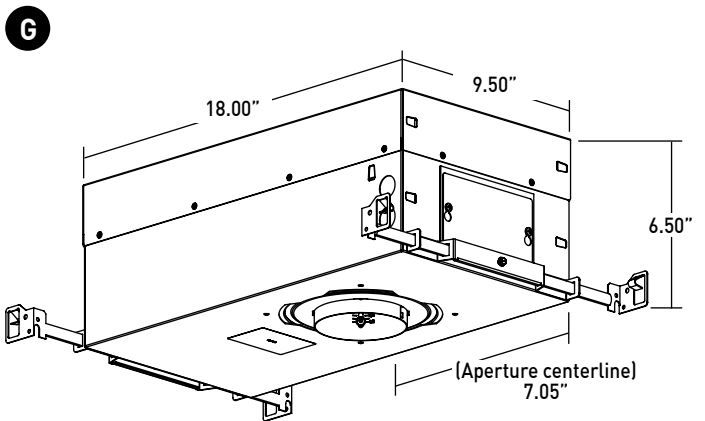
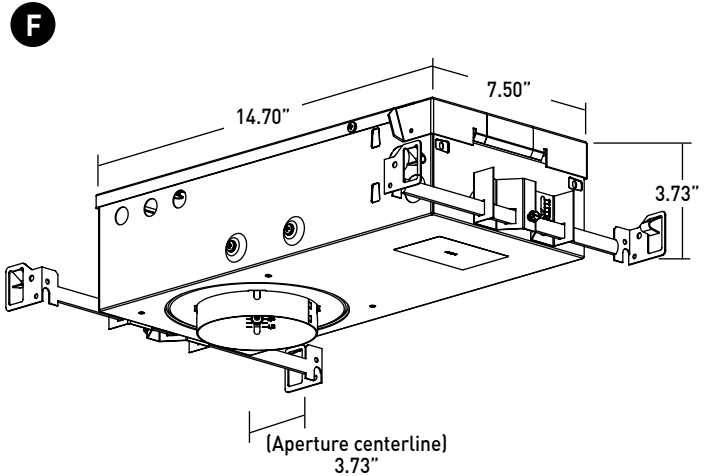
## HOUSING MOUNTING NOTES

- AT and AR install types are required for CCEA, Airtight and Title 24 (JA8) applications.
- Do not install in environments where ambient temperatures exceed 40°C (104°F).
- Power supply compartment and all splice connections may be serviced from room side.
- Consult factory for spacing requirements for any installations exceeding R-Value 60.
- Hanger bars fitted to short and long side of Low Flux Housing, and short side only of High Flux / Warm Dim Housing; extend from 14.0" to 24.0", but may be field cut to accommodate narrow stud spacing. Can be extended up to 46" maximum with 2S-HBE-46 kit.
- Hanger bars and brackets add 4.00" to the overall dimension, but are exclusive of the setback requirements.
- Driver assembly ships with trim, not housing. Housing and trim feature push nuts and lever nuts for ease of installation.

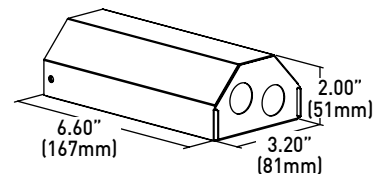
## REMOTE POWER SUPPLY

- H** Provided with install types "IR", "NR" and "AR". See page 7 for maximum allowable wiring distances. Must be installed in an accessible location.
- I ATHENA / CASAMBI CONTROL**  
Controls integrated into housing or remote driver assembly. All equipment is serviceable.
- Athena Model Numbers: A-WN-D01-RF-BL & DFC-OEM-DBI
- Casambi Model Number: BT-S1E1-5400
- J ATHENA / CASAMBI EM SHUNT**  
Included with drivers specified as ASR, ADR, CSR, or CDR. One required for each wireless EM fixture, requires class 2 control wiring between fixture and shunt. Features integrated test switch.
- Model Number: PS-RMT-SHUNT

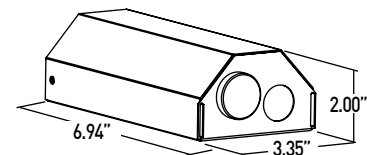
## DIMENSIONS / DRAWINGS



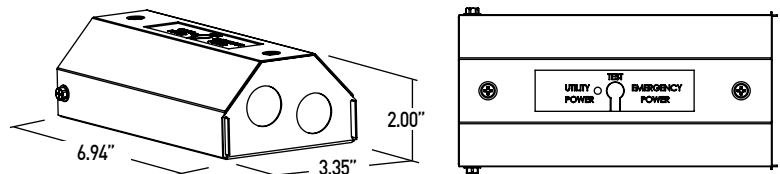
## H STANDARD ENCLOSURE



## I ATHENA / CASAMBI ENCLOSURE



## J ATHENA / CASAMBI EM SHUNT



# 2 SERIES LED WALLWASH

## REMODEL POWER SUPPLY

- K REMODEL POWER SUPPLY**
- Included with RM Install Type.
  - UL2043 listed for air-handling plenum.
  - Fixture mounts without conventional housing using supplied downlight trim adapter.
  - Minimum 2.75" clearance from top of fixture.
  - Minimum setback from combustible and non-combustible materials of 6.63" radius from fixture centerline.
  - Minimum 3.00" setback from surfaces of power supply / junction box if not situated within above noted radius from fixture centerline.
  - Minimum additional 3.00" setback from insulation material with max R-Value 30 from any surface of downlight fixture assembly.
  - Minimum additional 6.00" setback from polycell spray foam insulation with max R-Value 60 from any surface of downlight fixture assembly.

## REMODEL NOTES

- Do not install in environments where ambient temperatures exceed 40°C (104°F).
- Power supply compartment and all splice connections may be serviced from room side.
- Consult factory for spacing requirements for any installations exceeding R-Value 60.

## L REMOTE APPLICATIONS

- Remote power supply included with RR Install Type.
- Must be installed in an accessible dry/damp location.
- Do not install in environments where ambient temperatures exceed 40°C (104°F)
- Requires plenum rated Class 2 cable between fixture and remote driver. Cable supplied by others.
- See page 7 for maximum allowable wiring distances.

## ZERO-SIGHTLINE INSTALLATIONS

Fixture regresses flush with the finished ceiling plane when installed according to manufacturer instructions and finished ceiling conditions are met. Consult 2-Series Installation Guidelines for appropriate ceiling cutouts and instructions for proper Zero-Sightline installations.

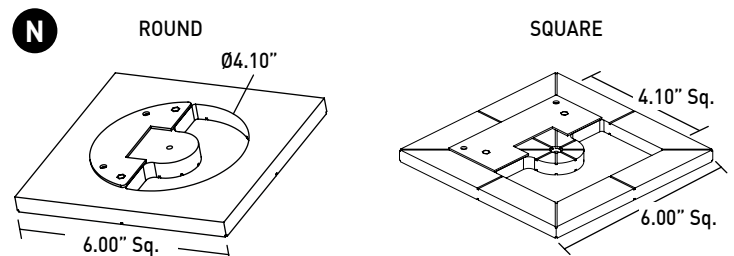
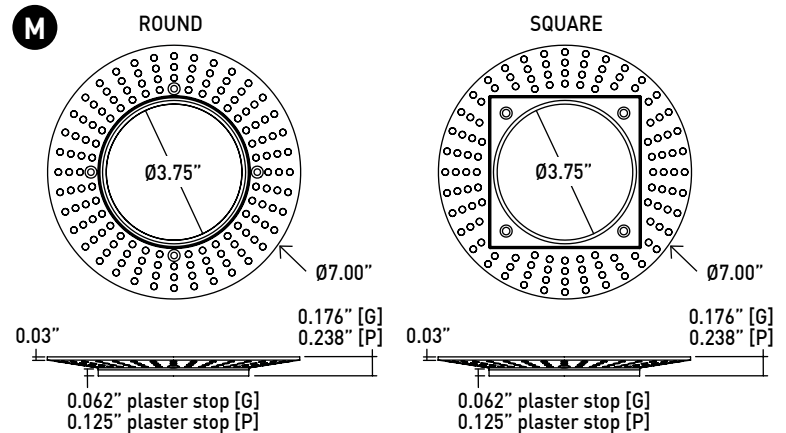
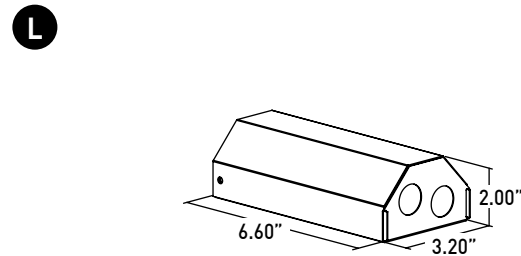
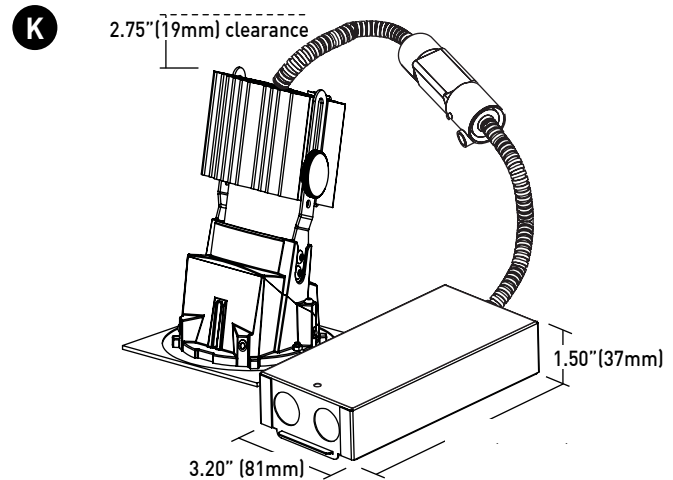
## M APPLIQUÉ

- Specified on Flange Configuration and ships with housing; ships separately on remodel installations.
- For use in sheetrock ceiling applications.
  - 1/16" Appliqué (G Flange Configuration) recommended for gypsum ceiling installations and has plaster stop thickness of 1/16". Recommended for painted ceiling applications.
  - 1/8" Appliqué (P Flange Configuration) offers double thick plaster stop of 1/8" where a heavier application of mud is preferred. Recommended for colorfast and venetian plaster applications.
- Not recommended for stucco applications.

## N ROUTER TOOL GUIDE

- Specified separately and used with Flange Overlay configurations.
- For use in wood ceiling applications.
- **DLA-RTG-2S-RD** or **DLA-RTG-2S-SQ** required for wood Zero-Sightline ceiling installations.
- Router tool guide is reusable and suitable for multiple fixtures.

## DIMENSIONS / DRAWINGS



# 2 SERIES LED WALLWASH

## TECHNICAL INFORMATION

### CONSTRUCTION

**Downlight:** Steel and aluminum; extruded aluminum heat-sink; painted finishes are granulated powder coat. 304 corrosion resistant stainless steel faceplate for wet location fixtures.

**Trim Adapter:** High-impact composite and stainless steel.

**Housing:** 22 Gauge galvanized steel.

**Appliqué:** Zinc alloy.

### STATIC WHITE LED

2-step MacAdam ellipse LED module available in 80+, 90+ and 97+ CRI configurations in color temperatures of 2700K, 3000K, 3500K and 4000K. 3-step MacAdam ellipse LED module available in 90+ configuration in color temperature of 2400K. Average rated lamp life of 50,000 hours. LED and driver assemblies are field-replaceable.

### WARM DIM LED

3-step MacAdam ellipse warm dim LED module available in 90+ CRI configuration. 3000K or 2700K at full brightness, warming to 1800K at full dim. Average rated lamp life of 50,000 hours. LED and driver assemblies are field-replaceable.

### TUNABLE WHITE LED

3-step MacAdam ellipse tunable white LED module available in 90+ CRI configuration. Features tuning range of 2700K to 5000K and 1800K to 4000K. Average rated lamp life of 50,000 hours. Driver assemblies are field-replaceable.

### POWER SUPPLY PERFORMANCE AND DIMMING INFORMATION

| Power Supply | PHASE |        | ECO   |       | 0-10V  |        |        |        |        |        | DALI-2 |        |        | ATHENA  | CASAMBI |
|--------------|-------|--------|-------|-------|--------|--------|--------|--------|--------|--------|--------|--------|--------|---------|---------|
|              | L23   | TR2    | LH1   | LP1   | EA2    | LA2    | AN4    | LN2    | DG1    | DN1    | ED1    | LD1    | DD1    | AS1/AD1 | CS1/CD1 |
| Minimum °C   | 0 °C  | -20 °C | 0 °C  | 0 °C  | -20 °C | -20 °C | -20 °C | -20 °C | -20 °C | -20 °C | -20 °C | -20 °C | -20 °C | 0 °C    | -20 °C  |
| Maximum °C   | 40 °C | 40 °C  | 40 °C | 40 °C | 40 °C  | 40 °C  | 40 °C  | 40 °C  | 40 °C  | 40 °C  | 40 °C  | 40 °C  | 40 °C  | 40 °C   | 40 °C   |
| Dimming %    | 1.0%  | 2.0%   | 1.0%  | 0.1%  | 0.1%   | 0.1%   | 1.0%   | 1.0%   | 0.1%   | 0.1%   | 0.1%   | 0.1%   | 0.1%   | 0.1%    | 0.1%    |

Note: For EA2, LA2 and L23 drivers consult chart on page 9 to confirm appropriate dimming curve for compatibility with selected control.

### MAXIMUM ALLOWABLE REMOTE DRIVER WIRING DISTANCES

| DRIVER  | WIRE AWG |      |      |     |     |
|---|----------|------|------|-----|-----|
|   | 12       | 14   | 16   | 18  | 20  |
| TR2, AN4, LN2   | 285'     | 180' | 113' | 71' | 45' |
| L23, LH1, LP1   | 60'      | 40'  | 25'  | 15' | -   |
| EA2, LA2, ED1, LD1, DG1, DN1, DD1, AS1, AD1, CS1, CD1 | -        | -    | 118' | 72' | 46' |

### SPACING

Recommended fixture spacing is 36" on center with 36" setback from wall plane.

### LISTING

cTUVus listed to UL1598 standard for Dry / Damp and Wet locations.

CCEA, Airtight and Title 24 JA8-2022 Listed.

NEMA 410 Compliant.

### DECLARE

LBC Red List Approved.

### FIXTURE WEIGHT

Trim - 2 lbs max

Low Flux Housing - 4.2 lbs

High Flux / Warm Dim Housing - 7.4 lbs

Remote / Remodel Driver - 1.4 lbs

### LIMITED WARRANTY

Manufacturer's Limited Warranty guarantees product(s) listed to be free from defects in material and workmanship under normal use and service

### CHANGE LOG

- 04/06/2022: REMOVED REMOTE REMODEL ACCESSORY KIT DLA2-RMT-AK.
- 10/17/2022: REMOVED 90WA12H 3200K-1800K WARM DIM AND ADDED 90WA12H 3000K-1800K WARM DIM.
- 11/28/2022: REMODEL FIXTURES UPDATED WITH METAL CLASP CONNECTORS.
- 04/26/2023: ADDED DECLARE LBC RED LIST APPROVED.
- 08/08/2023: UPDATED WITH NEW LED AND OPTIC SYSTEM.
- 01/11/2024: ADDED ATHENA AND CASAMBI CONTROL OFFERING. ADDED 2400K OFFERING.
- 02/07/2024: ADDED TUNABLE WHITE OFFERING.





# 2 SERIES LED WALLWASH

## DIMMING COMPATIBILITY

### PHILIPS DRIVER COMPATIBILITY

| Power supply <b>TR2</b><br>Manufacturer | Family/Model #        |
|---|-----------------------|
| Lutron Electronics                      | DV-600P               |
| Lutron Electronics                      | DVELV-303P            |
| Lutron Electronics                      | NTELV-600             |
| Lutron Electronics                      | MAELV-600             |
| Lutron Electronics                      | SELV-300P             |
| Lutron Electronics                      | DVLV-600P             |
| Lutron Electronics                      | NFTU-5A               |
| Lutron Electronics                      | CTCL-153P             |
| Lutron Electronics                      | GL-600H               |
| Lutron Electronics                      | S-600P                |
| Lutron Electronics                      | PHPM                  |
| Power supply <b>AN4</b><br>Manufacturer | Family/Model #        |
| Lutron Electronics                      | DVTV plus PP-DV       |
| Lutron Electronics                      | DVSCV plus PP-DV      |
| Lutron Electronics                      | DVSTV                 |
| Lutron Electronics                      | DVSCSTV               |
| Lutron Electronics                      | QSGRJ-XP plus GRX-TVI |
| Lutron Electronics                      | QSGRJ-XE plus GRX-TVI |
| Lutron Electronics                      | QSGR-XE plus GRX-TVI  |
| Lutron Electronics                      | NFTV plus PP-DV       |
| Lutron Electronics                      | NTSTV                 |
| Lutron Electronics                      | RMJ-5T                |
| Lutron Electronics                      | RMJS-8T               |
| Lutron Electronics                      | FCJS-010              |
| Leviton                                 | IllumaTch IP7 series  |
| Philips                                 | Sunrise - SR1200ZTUNV |

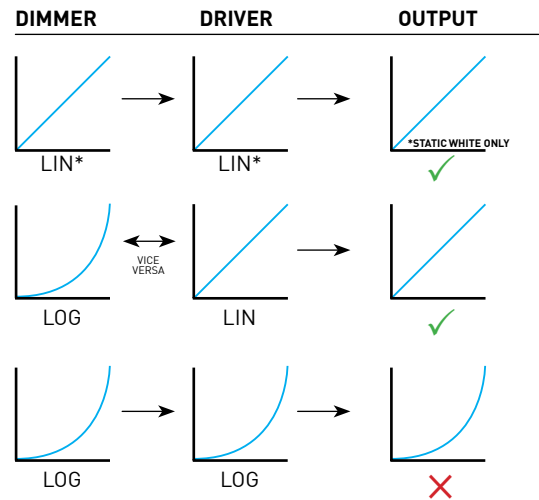
### LUTRON DRIVER COMPATIBILITY

| Power supply <b>L23</b><br>Lutron Product Family              | Part No.                      |
|---|-------------------------------|
| Maestro WirelessR 600 W dimmer                                | MRF2-6ND-120-                 |
| Maestro WirelessR 1000 W dimmer                               | MRF2-10ND-120-                |
| Caséta® Wireless Pro 1000 W dimmer                            | PD-10NXD-                     |
| GRAFIK T™ CL® dimmer  | GT-250M-GTJ-250M-             |
| HomeWorks® QS adaptive dimmer                                 | HQRD-6NA-                     |
| HomeWorks® QS 600 W dimmer                                    | HQRD-6ND-                     |
| HomeWorks® QS 1000 W dimmer                                   | HQRD-10ND-                    |
| RadioRA® 2 adaptive dimmer                                    | RRD-6NA-                      |
| RadioRA® 2 1000 W dimmer                                      | RRD-10ND                      |
| myRoom™ DIN power module                                      | MQSE-4A1-D                    |
| HomeWorks® QS DIN power module                                | LQSE-4A1-D                    |
| HomeWorks® QS wallbox power module                            | HQRJ-WPM-6D-120               |
| HomeWorks® wallbox power module                               | HWI-WPM-6D-120                |
| GRAFIK Eye® QS control unit                                   | QSGR-, QSGRJ-                 |
| GRAFIK Eye® 3000 control unit                                 | GRX-3100-GRX-3500-            |
| RPM-4U module (LCP, HomeWorks® QS, GRAFIK Systems™, Quantum®) | HW-RPM-4U-120 LP-RPM-4U-120   |
| RPM-4A module (LCP, HomeWorks® QS, GRAFIK Systems™, Quantum®) | HW-RPM-4A-120, LP-RPM-4A-120  |
| GP dimming panels   | Various                       |
| Ariadni CL 250W dimmer  | AYCL-253P-                    |
| Diva CL 250W dimmer   | DVCL-253P-DCSCCL-253P-        |
| Nova T CL 250W dimmer   | NTCL-250-                     |
| Power supply <b>LH1 / LP1</b><br>Lutron Product Family        | Part No.                      |
| PowPak Dimming Modules  | RMJ-ECO32-DV-B                |
| PowPak Dimming Modules  | FCJ/FCJS-ECO                  |
| Energi Savr Nodes   | QSN-1ECO-S                    |
| GRAFIK Eye QS control unit                                    | QSN-2ECO-S                    |
| Homeworks QS control unit                                     | QSGRJ- _E (wireless) QSGR- _E |
| Quantum Hub   | QP2-__ 2C                     |
| Quantum Hub   | QP2-__ 4C                     |
| Quantum Hub   | QP2-__ 6C                     |
| Quantum Hub   | QP2-__ 8C                     |
| Homeworks QS power module                                     | LQSE-2ECO-D                   |
| myRoom Plus power module                                      |                               |

### eldoLED DRIVER COMPATIBILITY

| Power supply <b>EA2/LA2</b><br>Manufacturer | Family/Model #                 |
|---|--------------------------------|
| Busch-Jaeger                                | 2112U-101                      |
| Jung  | 240-10                         |
| Leviton Lighting Controls                   | IP710-DLX                      |
| Lightolier Controls                         | ZP600FAM120                    |
| Merten                                      | 5729                           |
| Pass & Seymour                              | CD4FB-W                        |
| The Watt Stopper                            | DCLV1                          |
| Synergy                                     | ISD BC                         |
| Crestron®                                   | GLX-DIMFLV8                    |
| Crestron®                                   | GLXP-DIMFLV8                   |
| Crestron®                                   | GLPAC-DIMFLV4-*                |
| Crestron®                                   | GLPAC-DIMFLV8-*                |
| Crestron®                                   | GLPP-DIMFLVEX-PM               |
| Crestron®                                   | GLPP-1DIMFLV2EX-PM             |
| Crestron®                                   | GLPP-1DIMFLV3EX-PM             |
| Crestron®                                   | DIN-A08                        |
| Crestron®                                   | DIN-4DIMFLV4                   |
| Crestron®                                   | CLS-EXP-DIMFLV                 |
| Crestron®                                   | CLCI-1DIMFLV2EX                |
| Power supply <b>EA2/LA2</b><br>Manufacturer | Family/Model #                 |
| Lutron Electronics                          | Nova T® - NTFTV                |
| Lutron Electronics                          | Diva® - DVTV                   |
| Lutron Electronics                          | Nova® - NFTV                   |
| Lutron Electronics                          | GrafixEye® GRX-TVI w GRX3503   |
| Lutron Electronics                          | Energy Savr Node™ - QSN-4T16-S |
| Lutron Electronics                          | TVM2 Module                    |
| Sensor Switch                               | nIO EZ                         |
| ABB   | SD/S 2.16.1                    |

## ANALOG DRIVERS AND DIMMERS



LIN = LINEAR  
 LOG = LOGARITHMIC  
 \*LIN-TO-LIN NOT COMPATIBLE FOR WARM-DIM

