

2 SERIES GEMINI

Precision engineered downlight family featuring pinhole apertures available in powder coat or plated finishes for flange overlay or flush installations.

PROJECT NAME:	TYPE:
---------------	-------



ORDERING INFORMATION



JA8-2022 COMPLIANCE INDICATED BY SHADING

TRIM		RATING	FLANGE FINISH	LUMEN PACKAGE	CCT	OPTIC		INSTALL TYPE	CEILING THICKNESS	POWER SUPPLY	MEDIA		FLANGE CONFIGURATION
#1	#2					#1	#2				#1	#2	
G													
2RA	Round Expanded Adjustable	1 Dry/Damp 2 Wet* *(Lens sealed in place)	WH White	STATIC WHITE 80S06A 80+ CRI, 6 Watts (Delivered - 2RS 709, 2PS 687, 2SS 638) 80S11A 80+ CRI, 11 Watts (Delivered - 2RS 1152, 2PS 1111, 2SS 1163) 80S15A 80+ CRI, 15 Watts (Delivered - 2RS 1554, 2PS 1504, 2SS 1569) 80S21A 80+ CRI, 21 Watts* (Delivered - 2RS 2126, 2PS 2022, 2SS 2147) *(Not available for IC, IR, AT, or AR install types) 90S06A 90+ CRI, 6 Watts (Delivered - 2RS 611, 2PS 592, 2SS 550) 90S11A 90+ CRI, 11 Watts (Delivered - 2RS 993, 2PS 958, 2SS 1003) 90S15A 90+ CRI, 15 Watts (Delivered - 2RS 1340, 2PS 1297, 2SS 1353) 90S21A 90+ CRI, 21 Watts* (Delivered - 2RS 1833, 2PS 1743, 2SS 1851) *(Not available for IC, IR, AT, or AR install types) 97S06A 97+ CRI, 6 Watts (Delivered - 2RS 538, 2PS 521, 2SS 484) 97S11A 97+ CRI, 11 Watts (Delivered - 2RS 874, 2PS 843, 2SS 883) 97S15A 97+ CRI, 15 Watts (Delivered - 2RS 1179, 2PS 1411, 2SS 1191) 97S21A 97+ CRI, 21 Watts (Delivered - 2RS 1613, 2PS 1534, 2SS 1629) *(Not available for IC, IR, AT, or AR install types)	24 2400K* * (90+ CRI only)	10 10°*	HOUSING W/ INTEGRAL DRIVER (HB) IC Non-IC IC IC AT IC, Airtight* *(CCEA, Airtight and Title 24 compliant housing) HOUSING W/ REMOTE DRIVER (HR) NR Non-IC, Remote IR IC, Remote AR IC, Airtight, Remote* *(CCEA, Airtight and Title 24 compliant housing) REMODEL RM Remodel RR Remote-Remodel	1 0.50" - 0.75" 2 0.76" - 1.25" 3 1.26" - 2.00" *(Not available for 2RW, 2SW 2PG, or 2SG) 4 2.01" - 3.00" *(Not available for 2RW, 2SW 2PG, or 2SG)	(120V) TR2 Philips, 2% Forward/Reverse L23 Lutron, Hi-Lume 1% 2-Wire (120-277V) LH1 Lutron, Hi-Lume 1% Ecosystem LP1 Lutron, Premier 0.1% Ecosystem AN4 Philips Xitanium 1% 0-10V, LOG LN2 Philips Xitanium 1% 0-10V, LIN EA2 eldoLED, SOL0drive 0.1% 0-10V, LOG LA2 eldoLED, SOL0drive 0.1% 0-10V, LIN ED1 eldoLED, SOL0drive 0.1% DALI-2, LOG LD1 eldoLED, SOL0drive 0.1% DALI-2, LIN AS1/ Athena Control ASR eldoLED, SOL0drive 0.1% 120-277V* CS1/ Casambi Control CSR eldoLED, SOL0drive 0.1% 120-277V* *(Includes Node. Extended lead time, consult factory. ASR/CSR includes shunt) TUNABLE WHITE REMOTE (0.1%, 120-277V) DD1 eldoLED, DUAldrive DALI-2, LOG DG1 eldoLED, DUAldrive 0-10V, LOG DNI eldoLED, DUAldrive 0-10V, LIN AD1/ Athena Control, ADR EldoLED, DUAldrive* CD1/ Casambi Control, CDR EldoLED, DUAldrive* *(Includes Node. Extended lead time, consult factory for EM use, ADR/CDR includes shunt)	STANDARD MEDIA 04 Soft Focus Lens 00 No Lens* *(Standard for 10° optic, Not available for wet location or Warm Dim) WL Wallwash Lens* *(Required for 2RW and SW) GL Wall Grazer* *(Required for 2PG and 2SG) ALTERNATE MEDIA 02 Honeycomb Louver* *(Not available for wet location or Warm Dim) 03 Clear Glass Lens* *(Not available for wet location or Warm Dim) 05 Frosted Glass Lens 09 Ultra Violet Lens 11 Shatterproof Soft Focus Lens 12 Shatterproof Frosted Lens 26 Frosted Linear Spread Lens* *(Not available for wet location)	F Flange Overlay (No Applique) G Zero Sightline, 1/16" Applique - Gypsum* *(Not available for wet location, cannot mix round and square trims) P Zero Sightline, 1/8" Applique - Plaster* *(Not available for wet location, cannot mix round and square trims)		
2PA	Round Pinhole Adjustable		AG Satin Silver IG Industrial Gray AU Cashmere Gold AU Arch Bronze BB Burnt Bronze BK Black SS Stainless Steel* CH Chrome* MB Matte Bronze* PB Polished Bronze* PR Primer CF Custom* *(Consult Factory)		FINISH IMAGES ON PAGE 2	27 2700K 30 3000K 35 3500K 40 4000K		20 20° 25 25° 40 40° 60 60°*	15 15°* 20 20° 25 25° 40 40° 60 60°*	WW Wallwash* *(Required for 2RW and 2SW) WG Wall Grazer* *(Required for 2PG and 2SG)	*(Not available for 2PA, 2PD, or 2PS) *(Required for 2RW and 2SW) *(Required for 2PG and 2SG)	*(Not available for 2PA, 2PD, or 2PS) *(Required for 2RW and 2SW) *(Required for 2PG and 2SG)	*(Not available for 2PA, 2PD, or 2PS) *(Required for 2RW and 2SW) *(Required for 2PG and 2SG)
2SA	Square Expanded Adjustable												
2RD	Round Expanded Fixed Deep Regress												
2PD	Round Pinhole Fixed Deep Regress												
2SD	Square Expanded Fixed Deep Regress												
2RS	Round Expanded Fixed Shallow Regress												
2PS	Round Pinhole Fixed Shallow Regress												
2SS	Square Expanded Fixed Shallow Regress												
2RW	Round Expanded Wallwasher												
2SW	Square Expanded Wallwasher												
2PG	Round Pinhole Wall Grazer												
2SG	Square Expanded Wall Grazer												

PART NUMBER NOTES

- Trims ships as e.g. 2RA1-WH-80S11A1-2HB1-TR204; 2 Drivers required, drivers ship with trims.
- Housing ships as e.g. NCG-2RF-1-LED-01
- Remote drivers ship with trims as e.g. PS-RMT-80S11A-1TR2
- Applique ships with housing or Remodel trims.

2 SERIES LED GEMINI

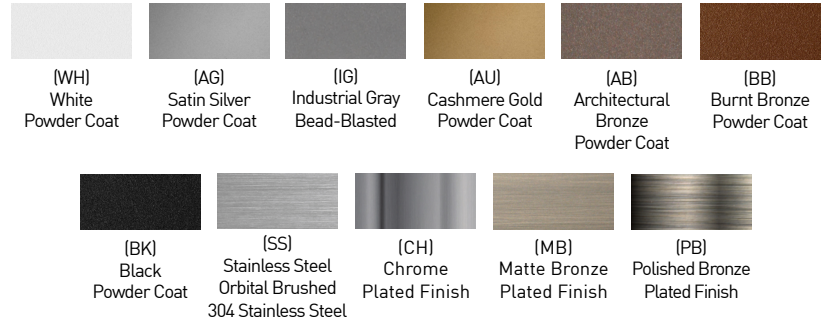
ACCESSORIES

ALTERNATE MEDIA

QTY

- ___ **HCL-2** Honeycomb Louver*
*(Not available for wet location or Warm Dim)
- ___ **CGL-2** Clear Glass Lens*
*(Not available for Warm Dim)
- ___ **SFL-2** Soft Focus Lens
- ___ **FGL-2** Frosted Glass Lens
- ___ **UVL-2** Ultra Violet Lens
- ___ **FLSL-2** Frosted Linear Spread Lens*
*(Not available for wet location)
- ___ **SFL-2-SP** Shatterproof Soft Focus Lens
- ___ **FGL-2-SP** Shatterproof Frosted Lens

FINISHES BY LUCIFER LIGHTING™



STATIC WHITE REPLACEMENT OPTICS

QTY

- ___ **RO-50-15-S** 15° optic
- ___ **RO-50-20-S** 20° optic
- ___ **RO-50-25-S** 25° optic
- ___ **RO-50-40-S** 40° optic
- ___ **RO-50-60-S** 60° optic*
*(Not available for 2PA, 2PD or 2PS)
- ___ **RO-50-WW-S** Wallwash Optic*
*(Only available for 2RW and 2SW)
- ___ **RO-50-WG-S** Wall Grazer Optic*
*(Only available for 2PG and 2SG)

WARM DIM REPLACEMENT OPTICS

QTY

- ___ **RO-50-20-W** 20° optic
- ___ **RO-50-25-W** 25° optic
- ___ **RO-50-40-W** 40° optic
- ___ **RO-50-60-W** 60° optic*
*(Not available for 2PA, 2PD or 2PS)
- ___ **RO-50-WW-W** Wallwash Optic*
*(Only available for 2RW and 2SW)
- ___ **RO-50-WG-W** Wall Grazer Optic*
*(Only available for 2PG and 2SG)

TUNABLE WHITE REPLACEMENT OPTICS

QTY

- ___ **RO-50-15-T** 15° optic
- ___ **RO-50-20-T** 20° optic
- ___ **RO-50-25-T** 25° optic
- ___ **RO-50-40-T** 40° optic
- ___ **RO-50-60-T** 60° optic*
*(Not available for 2PA, 2PD or 2PS)
- ___ **RO-50-WW-T** Wallwash Optic*
*(Only available for 2RW and 2SW)
- ___ **RO-50-WG-T** Wall Grazer Optic*
*(Only available for 2PG and 2SG)

HANGER BAR EXTENDER KIT

Extends hanger bars from 24.0" to 46.0" maximum.

QTY

- ___ **2S-HBE-46** Extender, Hanger Bar

FURRING CHANNEL ACCESSORY KIT

Recommended for installations in furring channel. Available for ceiling thicknesses from 0.125" - 1.25".

QTY

- ___ **DHA-FC-KIT** Accessory, Furring Channel

ADJUSTMENT TOOL

One included with every four fixtures.

QTY

- ___ **TOOL-HEX-050**

ROUTER TOOL GUIDE [Dry / Damp locations only]

Recommended for Zero-Sightline installations in wood ceilings.

QTY

- ___ **DLA-RTG-2S-RD** Tool, router guide, round; reusable
- ___ **DLA-RTG-2S-SQ** Tool, router guide, square; reusable

2 SERIES LED GEMINI

PERFORMANCE - 3000K



JA8-2022 INDICATED BY SHADING

CRI / WATTAGE PACKAGE	WATTAGE	ADJUSTABLE - 20° OPTIC - SOFT FOCUS LENS					
		2RA		2PA		2SA	
		DELIVERED	LPW	DELIVERED	LPW	DELIVERED	LPW
80S06A	6	670	112	544	91	603	100
80S11A	11	1076	98	886	80	1011	92
80S15A	15	1471	98	1194	80	1386	92
80S21A	21	1974	94	1624	77	1856	88
90S06A	6	578	96	469	78	520	87
90S11A	11	928	84	764	69	872	79
90S15A	15	1268	84	1029	69	1195	80
90S21A	21	1702	81	1400	67	1600	76
97S06A	6	509	85	413	69	458	76
97S11A	11	817	74	672	61	767	70
97S15A	15	1116	74	905	60	1052	70
97S21A	21	1498	71	1232	59	1408	67
90W11AWL (2700K-1800K)	11	656	60	566	51	590	54
90W11AWD (3000K-1800K)	11	645	59	540	49	581	53
90W15AWL (2700K-1800K)	15	917	69	791	53	862	57
90W15AWD (3000K-1800K)	15	904	60	756	50	850	57
90T17ATR (4000K-1800K)	17	1067	57	908	54	960	56
90T17ATH (5000K-2700K)	17	1049	60	900	53	944	56

CRI / WATTAGE PACKAGE	WATTAGE	ADJUSTABLE - 10° OPTIC - NO LENS					
		2RA		2PA		2SA	
		DELIVERED	LPW	DELIVERED	LPW	DELIVERED	LPW
80S15C	15	921	61	732	49	850	57
90S15C	15	794	53	631	42	733	49
97S15C	15	685	46	544	36	632	42

OUTPUT MULTIPLIER

CCT	CCT SCALE
2400K	0.76
2700K	0.97
3000K	1.000
3500K	1.03
4000K	1.08

MEDIA LIGHT LOSS FACTOR

MEDIA	LIGHT LOSS FACTOR
NO LENS	1.15
CGL	1.03
SFL	1.00
FGL	0.79
FSFL	0.70
FLSL	0.70
HCL	0.81

TUNABLE WHITE MULTIPLIER

CCT	5000K-2700K	4000K-1800K
5000K	1.16	-
4000K	1.08	1.14
3500K	1.04	1.07
3000K	1.00	1.00
2700K	0.96	0.92
2400K	-	0.84
1800K	-	0.69

UNIFIED GLARE RATIING 2 SERIES ADJUSTABLE

10° OPTIC NO LENS	20° OPTIC SOFT FOCUS LENS	25° OPTIC SOFT FOCUS LENS	40° OPTIC SOFT FOCUS LENS	60° OPTIC SOFT FOCUS LENS
<13	<13	<13	<13	<13

CRI / WATTAGE PACKAGE	WATTAGE	DEEP REGRESS - 20° OPTIC - SOFT FOCUS LENS					
		2RD		2PD		2SD	
		DELIVERED	LPW	DELIVERED	LPW	DELIVERED	LPW
80S06A	6	677	112	615	102	677	112
80S11A	11	1109	101	998	91	1109	101
80S15A	15	1486	99	1349	90	1486	99
80S21A	21	2025	96	1828	87	2025	96
90S06A	6	584	97	530	88	584	97
90S11A	11	956	87	860	78	956	87
90S15A	15	1281	85	1163	77	1281	85
90S21A	21	1746	83	1576	75	1746	83
97S06A	6	514	85	466	77	514	85
97S11A	11	841	76	757	69	841	76
97S15A	15	1127	75	1023	68	1127	75
97S21A	21	1536	73	1387	66	1536	73
90W11AWL (2700K-1800K)	11	654	59	613	55	654	59
90W11AWD (3000K-1800K)	11	673	61	628	57	673	61
90W15AWL (2700K-1800K)	15	915	61	857	57	915	61
90W15AWD (3000K-1800K)	15	943	63	879	59	943	63
90T17ATR (4000K-1800K)	17	1222	57	1052	62	1222	57
90T17ATH (5000K-2700K)	17	1058	54	1043	62	1058	54

CRI / WATTAGE PACKAGE	WATTAGE	DEEP REGRESS - 10° OPTIC - NO LENS					
		2RD		2PD		2SD	
		DELIVERED	LPW	DELIVERED	LPW	DELIVERED	LPW
80S15C	15	984	66	929	62	982	65
90S15C	15	848	57	801	53	846	56
97S15C	15	732	49	691	46	730	49

OUTPUT MULTIPLIER

CCT	CCT SCALE
2400K	0.76
2700K	0.97
3000K	1.000
3500K	1.03
4000K	1.08

MEDIA LIGHT LOSS FACTOR

MEDIA	LIGHT LOSS FACTOR
NO LENS	1.08
CGL	1.02
SFL	1.00
FGL	0.85
FSFL	0.76
FLSL	0.73
HCL	0.74

TUNABLE WHITE MULTIPLIER

CCT	5000K-2700K	4000K-1800K
5000K	1.16	-
4000K	1.08	1.14
3500K	1.04	1.07
3000K	1.00	1.00
2700K	0.96	0.92
2400K	-	0.84
1800K	-	0.69

UNIFIED GLARE RATIING 2 SERIES DEEP REGRESS

10° OPTIC NO LENS	20° OPTIC SOFT FOCUS LENS	25° OPTIC SOFT FOCUS LENS	40° OPTIC SOFT FOCUS LENS	60° OPTIC SOFT FOCUS LENS
<13	<13	<13	<13	<13

2 SERIES LED GEMINI

PERFORMANCE - 3000K



JA8-2022 INDICATED BY SHADING

CRI / WATTAGE PACKAGE	WATTAGE	SHALLOW REGRESS - 20° OPTIC - SOFT FOCUS LENS					
		2RS		2PS		2SS	
		DELIVERED	LPW	DELIVERED	LPW	DELIVERED	LPW
80S06A	6	709	118	687	114	638	106
80S11A	11	1152	105	1111	101	1163	106
80S15A	15	1554	104	1504	100	1569	105
80S21A	21	2126	101	2022	96	2147	102
90S06A	6	611	101	592	98	550	91
90S11A	11	993	90	958	87	1003	91
90S15A	15	1340	89	1297	86	1353	90
90S21A	21	1833	87	1743	83	1851	88
97S06A	6	538	89	521	86	484	80
97S11A	11	874	79	843	77	883	80
97S15A	15	1179	79	1141	76	1191	79
97S21A	21	1613	77	1534	73	1629	77
90W11AWL (2700K-1800K)	11	686	62	690	62	693	56
90W11AWD (3000K-1800K)	11	688	62	693	63	695	56
90W15AWL (2700K-1800K)	15	959	64	965	64	969	65
90W15AWD (3000K-1800K)	15	963	64	971	65	973	65
90T17ATR (4000K-1800K)	17	1280	60	1162	68	1293	68
90T17ATH (5000K-2700K)	17	1137	58	1152	69	1148	60

CRI / WATTAGE PACKAGE	WATTAGE	SHALLOW REGRESS - 10° OPTIC - NO LENS					
		2RS		2PS		2SS	
		DELIVERED	LPW	DELIVERED	LPW	DELIVERED	LPW
80S15C	15	1131	75	1095	73	1135	76
90S15C	15	975	65	944	63	978	65
97S15C	15	841	56	815	54	844	56

OUTPUT MULTIPLIER

CCT	CCT SCALE
2400K	0.76
2700K	0.97
3000K	1.000
3500K	1.03
4000K	1.08

MEDIA LIGHT LOSS FACTOR

MEDIA	LIGHT LOSS FACTOR
NO LENS	1.04
CGL	1.01
SFL	1.00
FGL	0.89
FSFL	0.80
FLSL	0.79
HCL	0.67

TUNABLE WHITE MULTIPLIER

CCT	5000K-2700K	4000K-1800K
5000K	1.16	-
4000K	1.08	1.14
3500K	1.04	1.07
3000K	1.00	1.00
2700K	0.96	0.92
2400K	-	0.84
1800K	-	0.69

UNIFIED GLARE RATING 2 SERIES SHALLOW REGRESS

10° OPTIC NO LENS	20° OPTIC SOFT FOCUS LENS	25° OPTIC SOFT FOCUS LENS	40° OPTIC SOFT FOCUS LENS	60° OPTIC SOFT FOCUS LENS
<19	<16	<16	<19	<16

CRI / WATTAGE PACKAGE	WATTAGE	WALL GRAZER			
		2PG		2SG	
		DELIVERED	LPW	DELIVERED	LPW
80S06A	6	331	55	389	65
80S11A	11	536	49	628	57
80S15A	15	724	48	856	57
80S21A	21	1000	48	1156	55
90S06A	6	285	49	335	58
90S11A	11	462	46	541	54
90S15A	15	624	44	738	51
90S21A	21	862	41	997	47
97S06A	6	251	42	295	49
97S11A	11	406	37	494	38
97S15A	15	549	37	649	43
97S21A	21	758	36	877	42
90W11A (WL 27K-18K)	11	276	28	289	30
90W11A (WD 30K-18K)	11	263	27	323	33
90W15A (WL 27K-18K)	15	386	28	404	29
90W15A (WD 30K-18K)	15	369	26	452	32
90T17A (TR 40K-18K)	17	753	45	833	49
90T17A (TH 50K-27K)	17	746	44	825	49

OUTPUT MULTIPLIER

CCT	CCT SCALE
2400K	0.76
2700K	0.97
3000K	1.000
3500K	1.03
4000K	1.08

TUNABLE WHITE MULTIPLIER

CCT	5000K-2700K	4000K-1800K
5000K	1.16	-
4000K	1.08	1.14
3500K	1.04	1.07
3000K	1.00	1.00
2700K	0.96	0.92
2400K	-	0.84
1800K	-	0.69

2 SERIES LED GEMINI

PERFORMANCE - 3000K



JA8-2022 INDICATED BY SHADING

CRI / WATTAGE PACKAGE	WATTAGE	WALLWASH			
		2RW		2SW	
		DELIVERED	LPW	DELIVERED	LPW
80S06A	6	415	69	351	59
80S11A	11	680	56	554	49
80S15A	15	926	62	770	51
80S21A	21	1245	59	1029	49
90S06A	6	358	62	303	53
90S11A	11	586	53	478	43
90S15A	15	798	53	664	44
90S21A	21	1073	51	887	42
97S06A	6	315	53	267	44
97S11A	11	516	47	421	38
97S15A	15	702	47	584	39
97S21A	21	944	45	781	37
90W11A (WL 27K-18K)	11	408	42	355	37
90W11A (WD 30K-18K)	11	412	43	354	37
90W15A (WL 27K-18K)	15	571	38	496	33
90W15A (WD 30K-18K)	15	578	38	497	33
90W17A (TR 40K-18K)	17	700	42	610	36
90W17A (TH 50K-27K)	17	694	41	605	36

OUTPUT MULTIPLIER

CCT	CCT SCALE
2400K	0.76
2700K	0.97
3000K	1.000
3500K	1.03
4000K	1.08

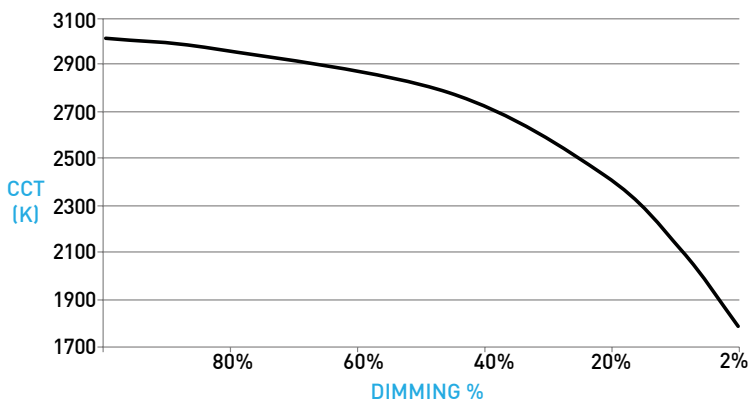
TUNABLE WHITE MULTIPLIER

CCT	5000K-2700K	4000K-1800K
5000K	1.16	-
4000K	1.08	1.14
3500K	1.04	1.07
3000K	1.00	1.00
2700K	0.96	0.92
2400K	-	0.84
1800K	-	0.69

WARM DIM PERFORMANCE - 25° OPTIC - SOFT FOCUS LENS

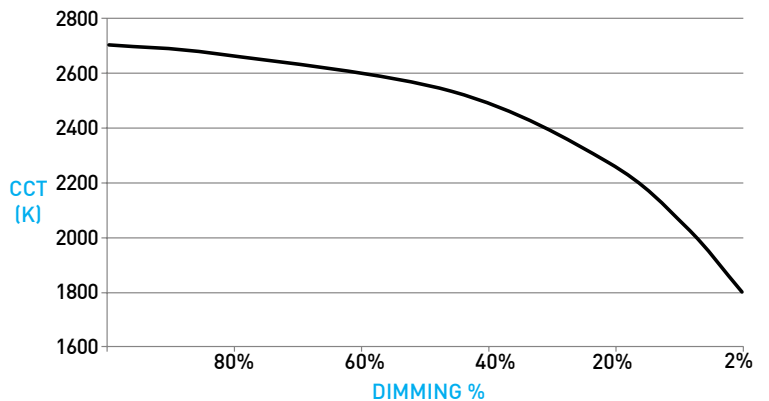
INCANDESCENT PROFILE

90W15AL 2700K - 1800K	Full on 100%	Dimmed to 80%	Dimmed to 70%	Dimmed to 50%	Dimmed to 20%	Dimmed to 10%	Dimmed to 2%
CCT (K)	2700	2650	2625	2550	2200	1900	1800
Light Output (Lm)	970	776	679	485	194	97	19
Power (W)	14	11	10	7	3	1.5	0.3
Efficacy (LPW)	69	70	68	69	65	65	63



HALOGEN PROFILE

90W15AD 3000K - 1800K	Full on 100%	Dimmed to 80%	Dimmed to 70%	Dimmed to 50%	Dimmed to 20%	Dimmed to 10%	Dimmed to 2%
CCT (K)	3000	2950	2920	2775	2375	2000	1800
Light Output (Lm)	974	779	682	487	195	97	19
Power (W)	14	11	10	7	3	1.5	0.3
Efficacy (LPW)	70	71	68	70	65	65	63



2 SERIES LED GEMINI

JA8-2022 TITLE 24 COMPLIANT CONFIGURATIONS

OPTIC	LUMEN PACKAGE	ROUND EXPANDED			ROUND PINHOLE			SQUARE EXPANDED			
		2RA	2RD	2RS	2PA	2PD	2PS	2SA	2SD	2SS	
20° Optic	90S06A	✓	✓	✓	✓	✓	✓	✓	✓	✓	
	90S11A	✓	✓	✓	✓	✓	✓	✓	✓	✓	
	90S15A	✓	✓	✓	✓	✓	✓	✓	✓	✓	
	90S21A	✓	✓	✓	✓	✓	✓	✓	✓	✓	
	97S06A	✓	✓	✓	✓	✓	✓	✓	✓	✓	
	97S11A	✓	✓	✓	✓	✓	✓	✓	✓	✓	
	97S15A	✓	✓	✓	✓	✓	✓	✓	✓	✓	
	97S21A	✓	✓	✓	✓	✓	✓	✓	✓	✓	
	90W15AL	✓	✓	✓	✓	✓	✓	✓	✓	✓	
	90W15AD	✓	✓	✓	✓	✓	✓	✓	✓	✓	
	90T17AR	✓	✓	✓	✓	✓	✓	✓	✓	✓	
	90T17AH	✓	✓	✓	✓	✓	✓	✓	✓	✓	
	40° Optic	90S06A	✓	✓	✓	✓	✓	✓	✓	✓	✓
		90S11A	✓	✓	✓	✓	✓	✓	✓	✓	✓
90S15A		✓	✓	✓	✓	✓	✓	✓	✓	✓	
90S21A		✓	✓	✓	✓	✓	✓	✓	✓	✓	
97S06A		✓	✓	✓	✓	✓	✓	✓	✓	✓	
97S11A		✓	✓	✓	✓	✓	✓	✓	✓	✓	
97S15A		✓	✓	✓	✓	✓	✓	✓	✓	✓	
97S21A		✓	✓	✓	✓	✓	✓	✓	✓	✓	
90W15AL		✓	✓	✓	✓	✓	✓	✓	✓	✓	
90W15AD		✓	✓	✓	✓	✓	✓	✓	✓	✓	
90T17AR		✓	✓	✓	✓	✓	✓	✓	✓	✓	
90T17AH		✓	✓	✓	✓	✓	✓	✓	✓	✓	
60° Optic		90S06A	✓	✓	✓	✓	✓	✓	✓	✓	✓
		90S11A	✓	✓	✓	✓	✓	✓	✓	✓	✓
	90S15A	✓	✓	✓	✓	✓	✓	✓	✓	✓	
	90S21A	✓	✓	✓	✓	✓	✓	✓	✓	✓	
	97S06A	✓	✓	✓	✓	✓	✓	✓	✓	✓	
	97S11A	✓	✓	✓	✓	✓	✓	✓	✓	✓	
	97S15A	✓	✓	✓	✓	✓	✓	✓	✓	✓	
	97S21A	✓	✓	✓	✓	✓	✓	✓	✓	✓	
	90W15AL	✓	✓	✓	✓	✓	✓	✓	✓	✓	
	90W15AD	✓	✓	✓	✓	✓	✓	✓	✓	✓	
	90T17AR	✓	✓	✓	✓	✓	✓	✓	✓	✓	
	90T17AH	✓	✓	✓	✓	✓	✓	✓	✓	✓	

OPTIC	LUMEN PACKAGE	WALLGRAZER		WALLWASH	
		2PG	2PS	2RW	2SW
Wallgrazer Optic	90S06A	✓			
	90S11A	✓			
	90S15A		✓		
	90S21A		✓		
	97S06A		✓		
	90T17AR	✓	✓		
	90T17AH		✓		
	Wallwash Optic	90S06A			✓
90S11A				✓	
90S15A				✓	
90S21A				✓	
97S06A				✓	
97S11A				✓	
97S15A				✓	
97S21A				✓	



2 SERIES LED GEMINI

DOWNLIGHT

Adjustable - Hot-aim adjustment from below up to 45° tilt and 357° rotation, faceplate conceals adjustment mechanisms.

Fixed Deep Regress - Die-cast deep baffle minimizes aperture glare and conceals view into housing. Black finish standard.

Fixed Shallow Regress - Die-cast shallow baffle minimizes aperture glare and conceals view into housing. Black finish standard.

- A** **ADJUSTABLE YOKE**
Adjustable yoke allows for quick exchange of optics and media. Accommodates up to 2 media; add 0.16" (4.1mm) to fixture height with use of each media.
- B** **OPTICS**
Robust light engine with optimized optic pairing integrates Reflection, Refraction, and TIR offering 10°, 15°, 20°, 25°, 40° & 60° beams.
- C** **TILT GUIDE**
Features adjustment angles and allows for pre-aiming prior to insertion of fixture.
- D** **MEDIA**
Media must be specified. Lens is sealed in aperture on adjustable Wet location fixtures and to baffle on fixed Wet location fixtures. Secondary media available.
- E** **ADJUSTABLE TRIM PLATE**
Features removable faceplate providing access to adjustment mechanisms. Rare Earth magnets secure faceplate firmly to trim mechanism and do not degrade over time.
 - Dry / Damp Location: Thickness measures 0.065"
 - Wet Location: Sealed aperture and integral silicone gasket. 0.15" return, installed as flange overlay only.
- F** **FIXED TRIM PLATE**
Wet location features integral silicone gasket.
 - Dry / Damp Location: Thickness measures 0.065" (1.7mm)
 - Wet Location: 0.15" return, installed as flange overlay only.

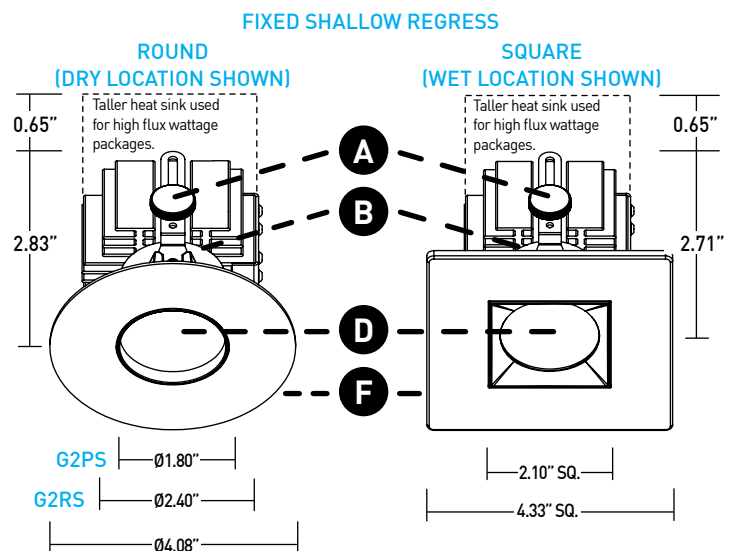
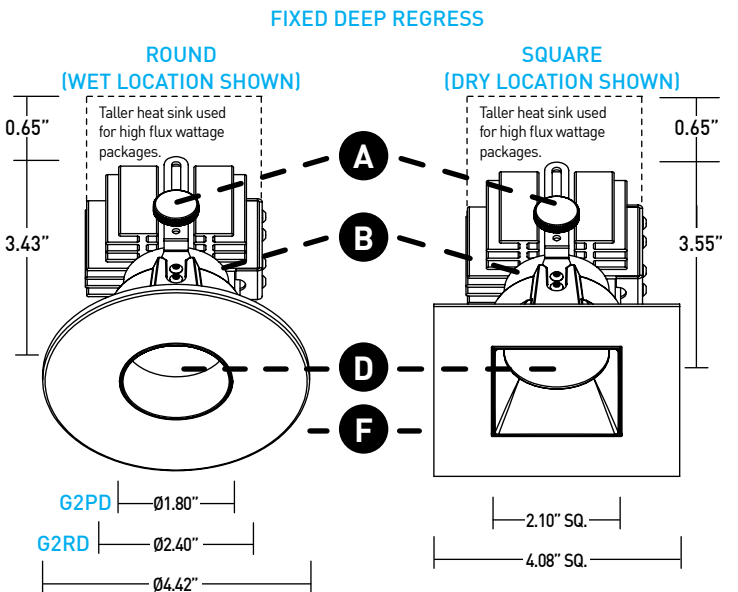
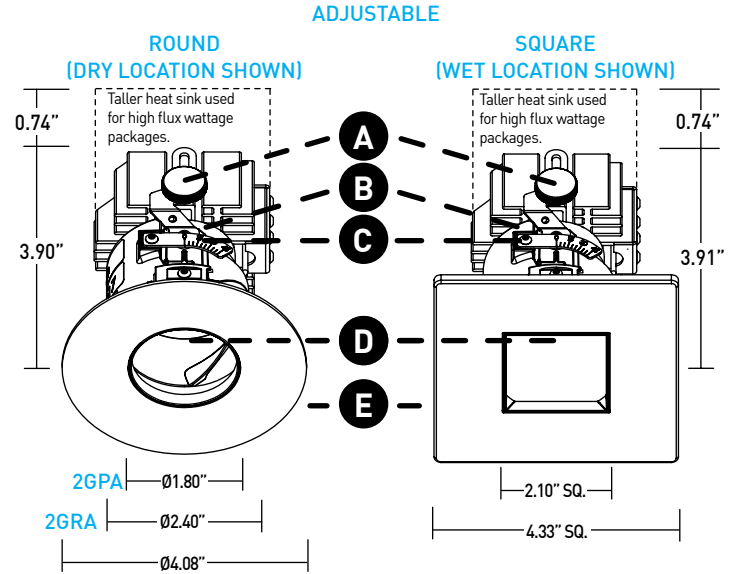
ADJUSTABLE TILT CHART

Chart references abbreviated ceiling thickness and use of 1 media.

CEILING THICKNESS	≤ 0.75" (19mm)	≤ 1.25" (32mm)	≤ 2.00" (50mm)	≤ 2.25" (57mm)	≤ 3.00" (76mm)
	"-1" collar	"-2" collar	"-3" collar	"-4" collar	"-4" collar
Low Flux	45°	30°	10°	5°	4°
High Flux	45°	35°	13°	5°	4°

Note: Max tilt of High Flux trims when aimed 180° apart along long axis of housing is 33°.

DIMENSIONS / DRAWINGS



2 SERIES LED GEMINI

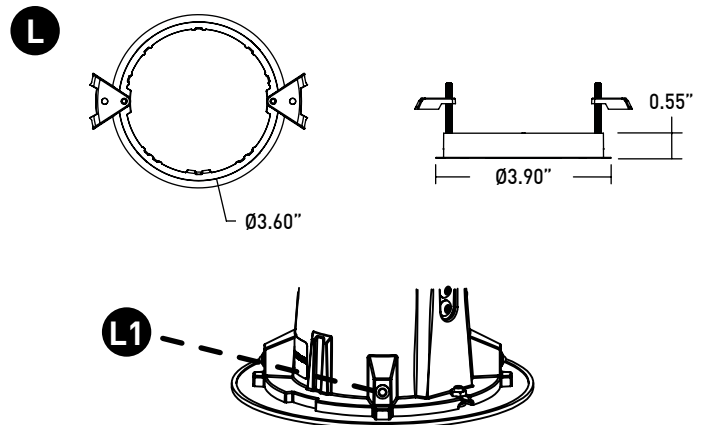
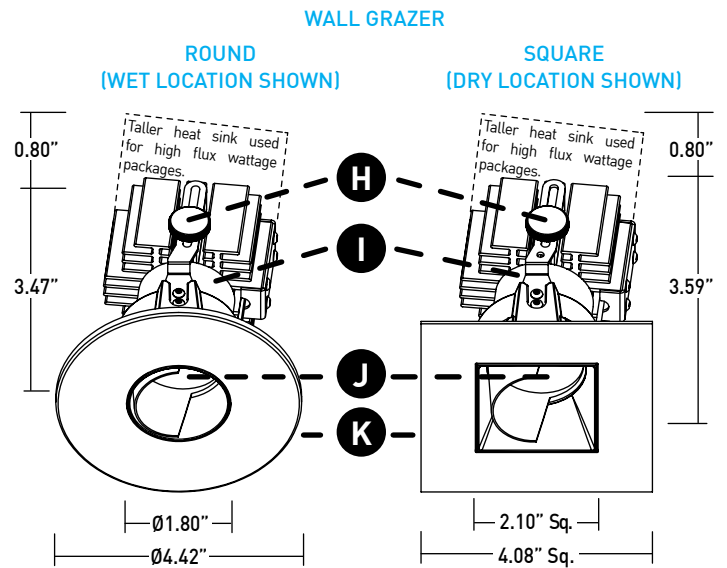
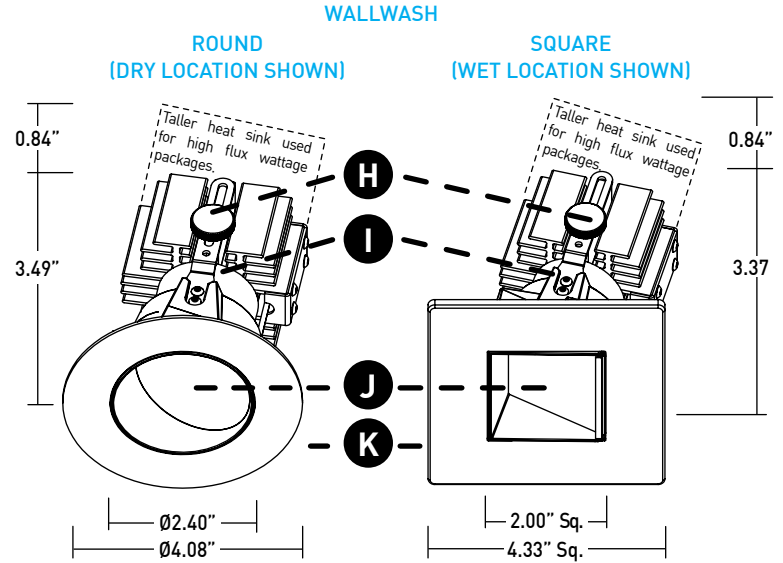
DOWNLIGHT

Wallwash - Die-cast baffle and precision kick reflector provide dynamic wallwashing and minimal aperture glare.

Wall Grazer - Die-cast baffle and precision kick reflector provide dynamic wall grazing and minimal aperture glare.

- H** **ADJUSTABLE YOKE**
Adjustable yoke allows for quick access to media.
- I** **OPTIC**
40° optic for optimal wallwashing or wall grazing.
- J** **MEDIA**
Wallwasher or wall grazer lens included and sealed in place on wet location fixtures
- K** **TRIM PLATE**
Wet location features integral silicone gasket.
 - Dry / Damp Location: Thickness measures 0.065"
 - Wet Location: 0.15" return, installed as flange overlay only.
- L** **DOWNLIGHT TRIM ADAPTER**
Included with fixture and required for installation. Uses (2) #6-32 flat-head screws with varying lengths to accommodate ceiling depth. Installed after ceiling is complete. Requires 3.75" (95mm) diameter cutout for flange overlay applications.
- L1** **RETENTION**
Engineered integral ball plungers correspond to trim adapter ensuring snug fit against finished ceiling.

DIMENSIONS / DRAWINGS



2 SERIES LED GEMINI

HOUSING

- N NO INSULATION CONTACT (NON-IC) HOUSING**
- Included with NC and NR install types.
 - Minimum 0.50" setback from combustible and non-combustible materials on all sides and top of housing.
 - Minimum 3.00" setback from insulation material having max R-Value 30 on all sides and top of housing.
 - Minimum 6.00" setback from polycell spray foam insulation having max R-Value 60.
- INSULATION CONTACT (IC) HOUSING**
- Included with IC, IR, AT, and AR install types.
 - No setback from polycell spray foam insulation having max R-Value of 60 on all sides and top of housing.

HOUSING MOUNTING NOTES

- AT and AR install types are required for CCEA, Airtight and Title 24 (JA8) applications.
- Do not install in environments where ambient temperatures exceed 40°C (104°F).
- Power supply compartment and all splice connections may be serviced from room side.
- Consult factory for spacing requirements for any installations exceeding R-Value 60.
- Hanger bars fitted to short side of housing; extend from 14.0" to 24.0", but may be field cut to accommodate narrow stud spacing. Can be extended up to 46" maximum with 2S-HBE-46 kit.
- Hanger bars and brackets add 4.00" to the overall dimension, but are exclusive of the setback requirements.
- Driver assembly ships with trim, not housing. Housing and trim feature mating quick-connect plugs for ease of installation.

REMOTE POWER SUPPLY

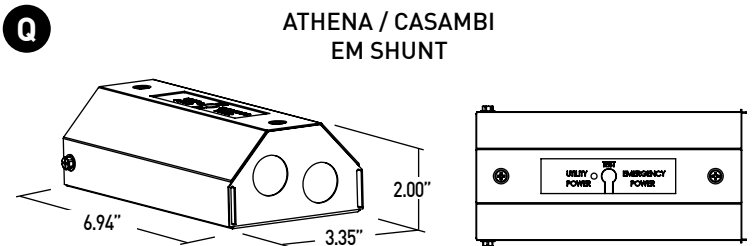
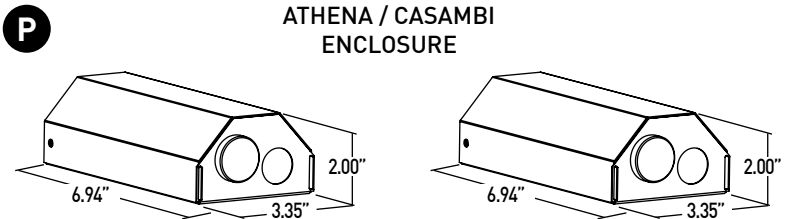
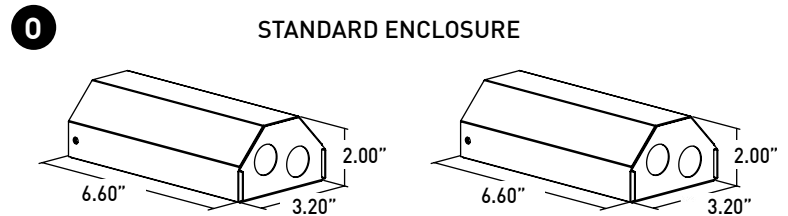
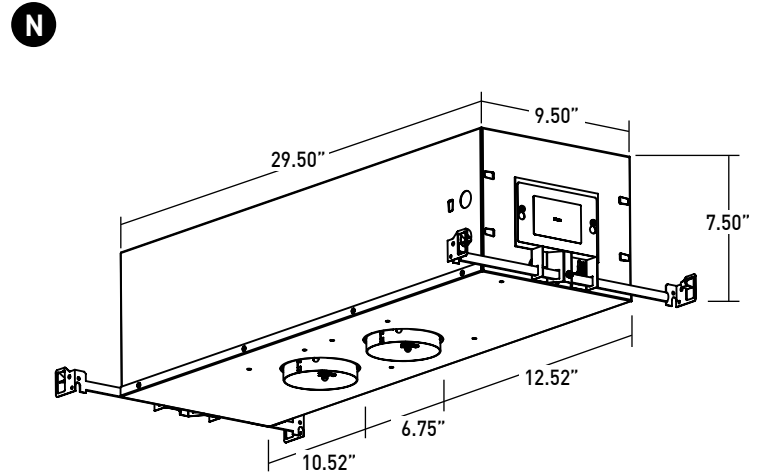
- O** Gemini configurations require two power supplies, provided with install types IR, AR NR, and RR. Consult factory for maximum remote mounting distances.
- P** **ATHENA / CASAMBI CONTROL**
Controls integrated into housing or remote driver assembly. All equipment is serviceable.

Athena Model Numbers: A-WN-D01-RF-BL & DFC-OEM-DBI

Casambi Model Number: BT-S1E1-5400
- Q** **ATHENA / CASAMBI EM SHUNT**
Included with drivers specified as ASR, ADR, CSR, or CDR. One required for each wireless EM fixture, requires class 2 control wiring between fixture and shunt. Features integrated test switch.

Model Number: PS-RMT-SHUNT

DIMENSIONS / DRAWINGS



2 SERIES LED GEMINI

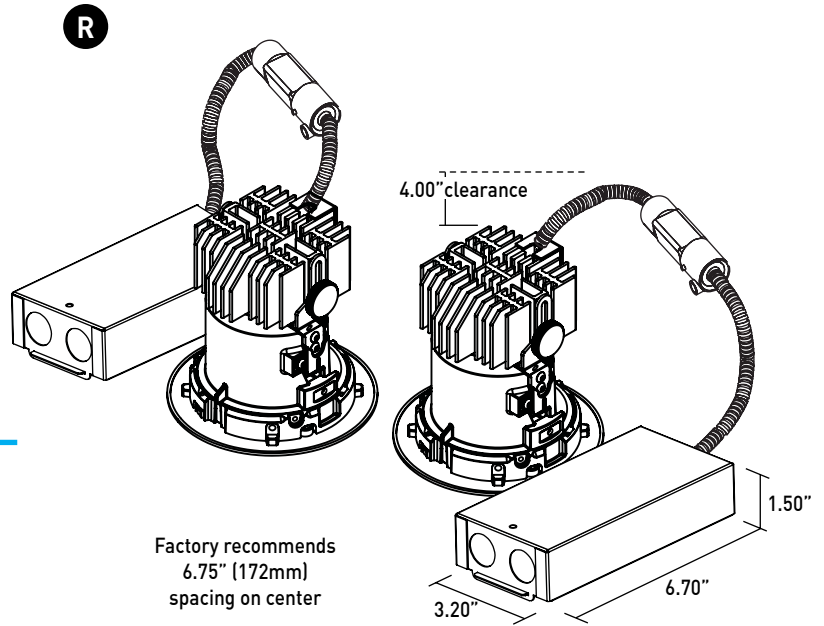
REMODEL

- R REMODEL POWER SUPPLY**
- Included with RM Install Type.
 - UL2043 listed for air-handling plenum.
 - Fixture mounts without conventional housing using supplied downlight trim adapter.
 - Minimum 4.00" clearance from top of fixture.
 - Minimum setback from combustible and non-combustible materials of 6.63" radius from fixture centerlines.
 - Minimum 6.00" setback from surfaces of power supply / junction box if not situated within above noted radius from fixture centerline.
 - Minimum additional 6.00" setback from insulation material with max R-Value 30 from any surface of downlight fixture assembly.
 - Minimum additional 12.00" setback from polycell spray foam insulation with max R-Value 60 from any surface of downlight fixture assembly.

REMODEL NOTES

- Do not install in environments where ambient temperatures exceed 40°C (104°F).
- Power supply compartment and all splice connections may be serviced from room side.
- Consult factory for spacing requirements for any installations exceeding R-Value 60.

DIMENSIONS / DRAWINGS

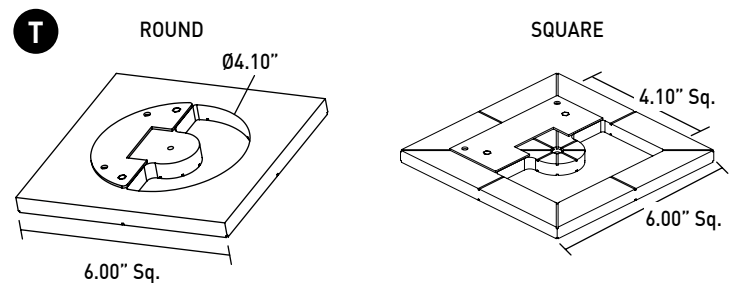
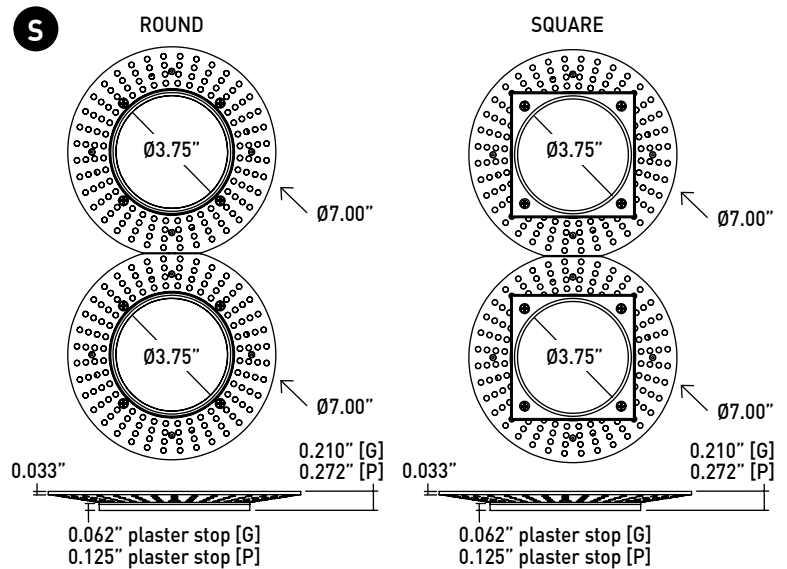


ZERO-SIGHTLINE INSTALLATIONS

Zero-Sightline installations available for Dry / Damp location fixtures only. When installed according to manufacturer's instructions and ceiling conditions are met, fixture is flush with the ceiling plane. Consult 2-Series Installation Guidelines for appropriate ceiling cutouts and instructions for proper Zero-Sightline installations.

- S APPLIQUÉ**
- Specified under Flange Configuration and ships with housing.
 - For use in sheetrock ceiling applications.
 - 1/16" Appliqué (G Flange Configuration) recommended for gypsum ceiling installations and has plaster stop thickness of 1/16".
 - Recommended for painted ceiling applications.
 - 1/8" Appliqué (P Flange Configuration) offers double thick plaster stop of 1/8" where a heavier application of mud is preferred. Recommended for colorfast and venetian plaster applications.
 - Not recommended for stucco applications.

- T ROUTER TOOL GUIDE**
- Specified separately and used with Flange Overlay configurations.
 - For use in wood ceiling applications.
 - **DLA-RTG-2S-RD** or **DLA-RTG-2S-SQ** required for wood Zero-Sightline ceiling installations.
 - Router tool guide is reusable and suitable for multiple fixtures.



2 SERIES LED GEMINI

TECHNICAL INFORMATION

CONSTRUCTION

Downlight: Steel and aluminum; extruded aluminum heat-sink; painted finishes are granulated powder coat. 304 corrosion resistant stainless steel faceplate for wet location fixtures.

Trim Adapter: High-impact composite and stainless steel.

Housing: 22 Gauge galvanized steel.

Appliqué: Zinc alloy and galvanized steel

LED

2-step MacAdam ellipse LED module available in 80+, 90+ and 97+ CRI configurations in color temperatures of 2700K, 3000K, 3500K and 4000K. 3-step MacAdam ellipse LED module available in 90+ CRI configuration in color temperatures of 2400K. Average rated lamp life: 50,000 hours. LED and driver assemblies are field-replaceable.

WARM DIM LED

3-step MacAdam ellipse warm dim LED module available in 90+ CRI configuration. 3000K or 2700K at full brightness, warming to 1800K at full dim. Average rated lamp life of 50,000 hours. LED and driver assemblies are field-replaceable.

TUNABLE WHITE LED

3-step MacAdam ellipse tunable white LED module available in 90+ CRI configuration. Features tuning range of 2700K to 5000K and 1800K to 4000K. Average rated lamp life of 50,000 hours. Driver assemblies are field-replaceable.

POWER SUPPLY PERFORMANCE AND DIMMING INFORMATION

Power Supply	PHASE		ECO		0-10V						DALI-2			ATHENA	CASAMBI
	L23	TR2	LH1	LP1	EA2	LA2	AN4	LN2	DG1	DN1	ED1	LD1	DD1	AS1/AD1	CS1/CD1
Minimum °C	0 °C	-20 °C	0 °C	0 °C	-20 °C	-20 °C	-20 °C	-20 °C	-20 °C	-20 °C	-20 °C	-20 °C	-20 °C	0 °C	-20 °C
Maximum °C	40 °C	40 °C	40 °C	40 °C	40 °C	40 °C	40 °C	40 °C	40 °C	40 °C	40 °C	40 °C	40 °C	40 °C	40 °C
Dimming %	1.0%	2.0%	1.0%	0.1%	0.1%	0.1%	1.0%	1.0%	0.1%	0.1%	0.1%	0.1%	0.1%	0.1%	0.1%

Note: For TR2, L23, LH1, LP1, AN4, EA2 and LA2 drivers consult chart on page 9 to confirm appropriate dimming curve for compatibility with selected control.

MAXIMUM ALLOWABLE REMOTE DRIVER WIRING DISTANCES

DRIVER	WIRE AWG				
	12	14	16	18	20
TR2, AN4, LN2	285'	180'	113'	71'	45'
L23, LH1, LP1	60'	40'	25'	15'	-
EA2, LA2, ED1, LD1, DG1, DN1, DD1, AS1, AD1, CS1, CD1	-	-	118'	72'	46'

SPACING

Wallwash: Recommended fixture spacing is 36" on center with 36" setback from wall plane.

Wall Grazer: Recommended fixture spacing is 22" to 28" on center with 16" to 18" setback from wall plane.

Remodel: Recommended spacing between fixtures is 6.75" on center.

LISTING

cTUVus listed to UL1598 standard for Dry / Damp and Wet locations. CCEA, Airtight and Title 24 JA8-2022 Listed. NEMA 410 compliant.

LIMITED WARRANTY

Manufacturer's Limited Warranty guarantees product(s) listed to be free

CHANGE LOG

- 01/12/2021: ADDED 2400K, 2700K-1800K WARM DIM AND 10 DEGREE OPTIC OFFERINGS.
- 08/12/2021: ADDED RM AND RR INSTALL TYPES FOR USE WITH ZERO-SIGHTLINE.
- 10/17/2022: REMOVED 90WA12H 3200K-1800K WARM DIM AND ADDED 90WA12H 3000K-1800K WARM DIM.
- 08/08/2023: UPDATED WITH NEW LED AND OPTIC SYSTEM.
- 01/11/2024: ADDED ATHENA AND CASAMBI CONTROL OFFERING. ADDED 2400K OFFERING.
- 02/15/2024: ADDED TUNABLE WHITE AND LOW WATTAGE OFFERING

2 SERIES LED GEMINI

DIMMING COMPATIBILITY

PHILIPS DRIVER COMPATIBILITY

Power supply TR2 Manufacturer	Family/Model #
Lutron Electronics	DV-600P
Lutron Electronics	DVELV-303P
Lutron Electronics	NTELV-600
Lutron Electronics	MAELV-600
Lutron Electronics	SELV-300P
Lutron Electronics	DVLV-600P
Lutron Electronics	NFTU-5A
Lutron Electronics	CTCL-153P
Lutron Electronics	GL-600H
Lutron Electronics	S-600P
Lutron Electronics	PHPM
Power supply AN4 Manufacturer	Family/Model #
Lutron Electronics	DVTV plus PP-DV
Lutron Electronics	DVSCV plus PP-DV
Lutron Electronics	DVSTV
Lutron Electronics	DVSCSTV
Lutron Electronics	QSGRJ-XP plus GRX-TVI
Lutron Electronics	QSGRJ-XE plus GRX-TVI
Lutron Electronics	QSGR-XE plus GRX-TVI
Lutron Electronics	NFTV plus PP-DV
Lutron Electronics	NTSTV
Lutron Electronics	RMJ-5T
Lutron Electronics	RMJS-8T
Lutron Electronics	FCJS-010
Leviton	IllumaTch IP7 series
Philips	Sunrise - SR1200ZTUNV

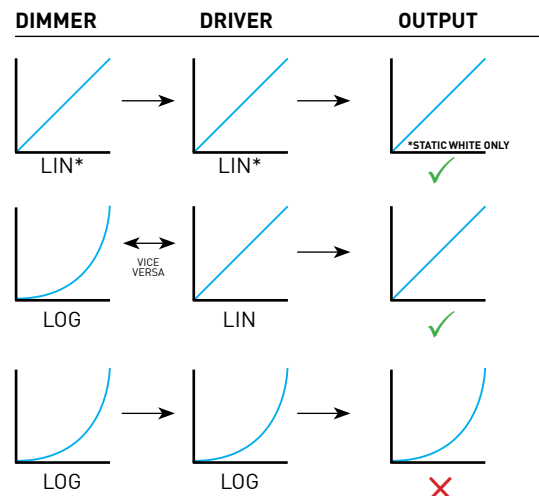
LUTRON DRIVER COMPATIBILITY

Power supply L23 Lutron Product Family	Part No.
Maestro WirelessR 600 W dimmer	MRF2-6ND-120-
Maestro WirelessR 1000 W dimmer	MRF2-10ND-120-
Caséta® Wireless Pro 1000 W dimmer	PD-10NXD-
GRAFIK T™ CL® dimmer	GT-250M-GTJ-250M-
HomeWorks® QS adaptive dimmer	HQRD-6NA-
HomeWorks® QS 600 W dimmer	HQRD-6ND-
HomeWorks® QS 1000 W dimmer	HQRD-10ND-
RadioRA® 2 adaptive dimmer	RRD-6NA-
RadioRA® 2 1000 W dimmer	RRD-10ND
myRoom™ DIN power module	MQSE-4A1-D
HomeWorks® QS DIN power module	LQSE-4A1-D
HomeWorks® QS wallbox power module	HQRJ-WPM-6D-120
HomeWorks® wallbox power module	HWI-WPM-6D-120
GRAFIK Eye® QS control unit	QSGR-, QSGRJ-
GRAFIK Eye® 3000 control unit	GRX-3100-GRX-3500-
RPM-4U module (LCP, HomeWorks® QS, GRAFIK Systems™, Quantum®)	HW-RPM-4U-120 LP-RPM-4U-120
RPM-4A module (LCP, HomeWorks® QS, GRAFIK Systems™, Quantum®)	HW-RPM-4A-120, LP-RPM-4A-120
GP dimming panels	Various
Ariadni CL 250W dimmer	AYCL-253P-
Diva CL 250W dimmer	DVCL-253P-DCSCCL-253P-
Nova T CL 250W dimmer	NTCL-250-
Power supply LH1 / LP1 Lutron Product Family	Part No.
PowPak Dimming Modules	RMJ-ECO32-DV-B
PowPak Dimming Modules	FCJ/FCJS-ECO
Energi Savr Nodes	QSN-1ECO-S
GRAFIK Eye QS control unit	QSN-2ECO-S
Homeworks QS control unit	QSGRJ- _E (wireless) QSGR- _E
Quantum Hub	QP2-__ 2C
Quantum Hub	QP2-__ 4C
Quantum Hub	QP2-__ 6C
Quantum Hub	QP2-__ 8C
Homeworks QS power module	LQSE-2ECO-D
myRoom Plus power module	

eldoLED DRIVER COMPATIBILITY

Power supply EA2 / LA2 Dimmer / Switch Control Manufacturer	Family/Model #
Busch-Jaeger	2112U-101
Jung	240-10
Leviton Lighting Controls	IP710-DLX
Lightolier Controls	ZP600FAM120
Lutron Electronics	Nova T® - NTFTV
Lutron Electronics	Divia® - DVTV
Lutron Electronics	Nova® - NFTV
Merten	5729
Pass & Seymour	CD4FB-W
The Watt Stopper	DCLV1
Sensor Switch	nI0 EZ
Synergy	ISD BC
Power supply EA2 / LA2 Lighting Control Systems	Family/Model #
Lutron Electronics	GrafixEye® GRX-TVI w GRX3503
Lutron Electronics	Energy Savr Node™ - QSN-4T16-S
Lutron Electronics	TVM2 Module
Crestron®	GLX-DIMFLV8
Crestron®	GLXP-DIMFLV8
Crestron®	GLPAC-DIMFLV4-*
Crestron®	GLPAC-DIMFLV8-*
Crestron®	GLPP-DIMFLVEX-PM
Crestron®	GLPP-1DIMFLV2EX-PM
Crestron®	GLPP-1DIMFLV3EX-PM
Crestron®	DIN-A08
Crestron®	DIN-4DIMFLV4
Crestron®	CLS-EXP-DIMFLV
Crestron®	CLCI-1DIMFLV2EX
ABB	SD/S 2.16.1

ANALOG DRIVERS AND DIMMERS



LIN = LINEAR
LOG = LOGARITHMIC
*LIN-TO-LIN NOT COMPATIBLE FOR WARM-DIM

